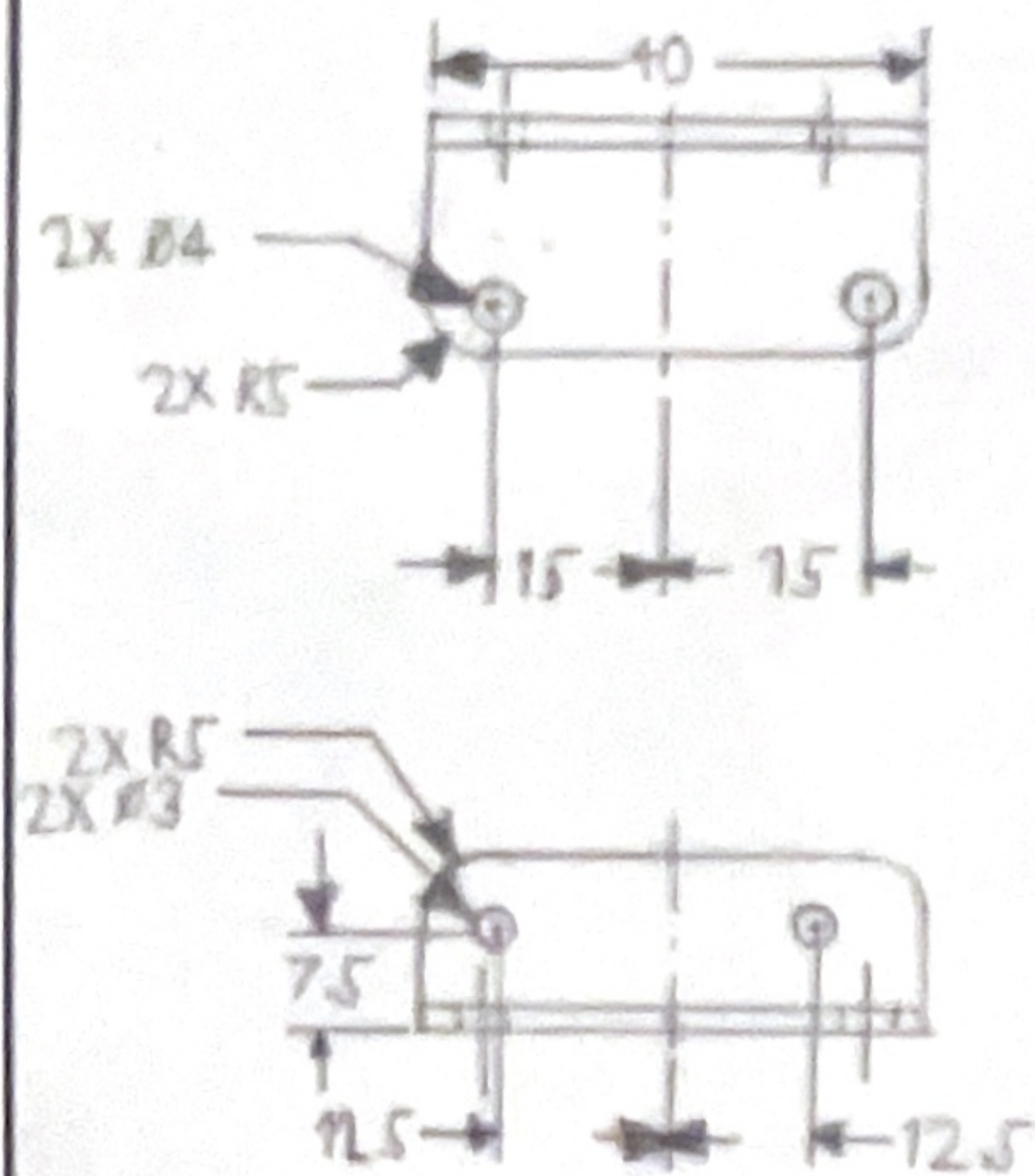


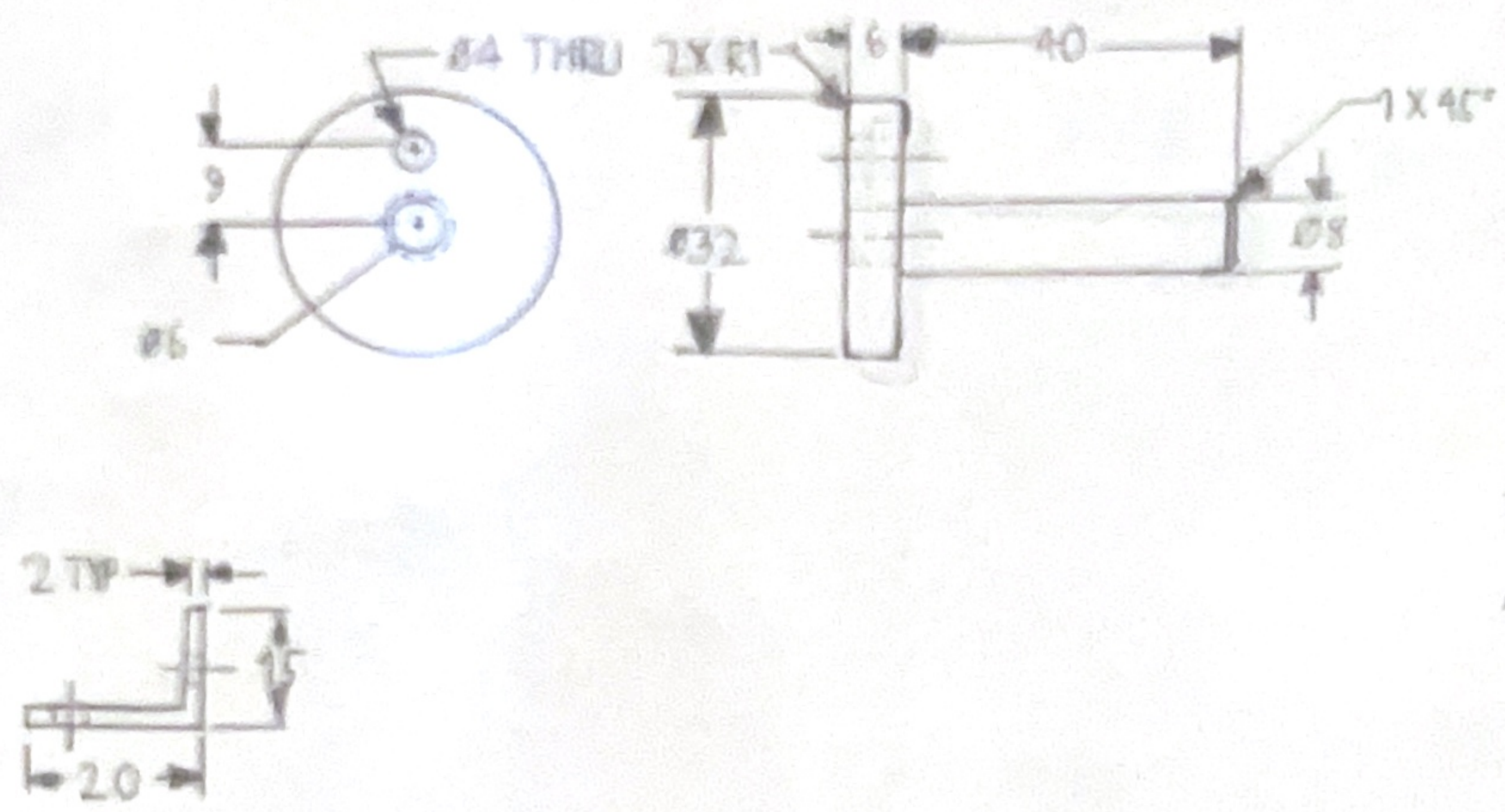
PART 1: FRAME SUPPORT

MATERIAL: BRASS
QUANTITY: 2



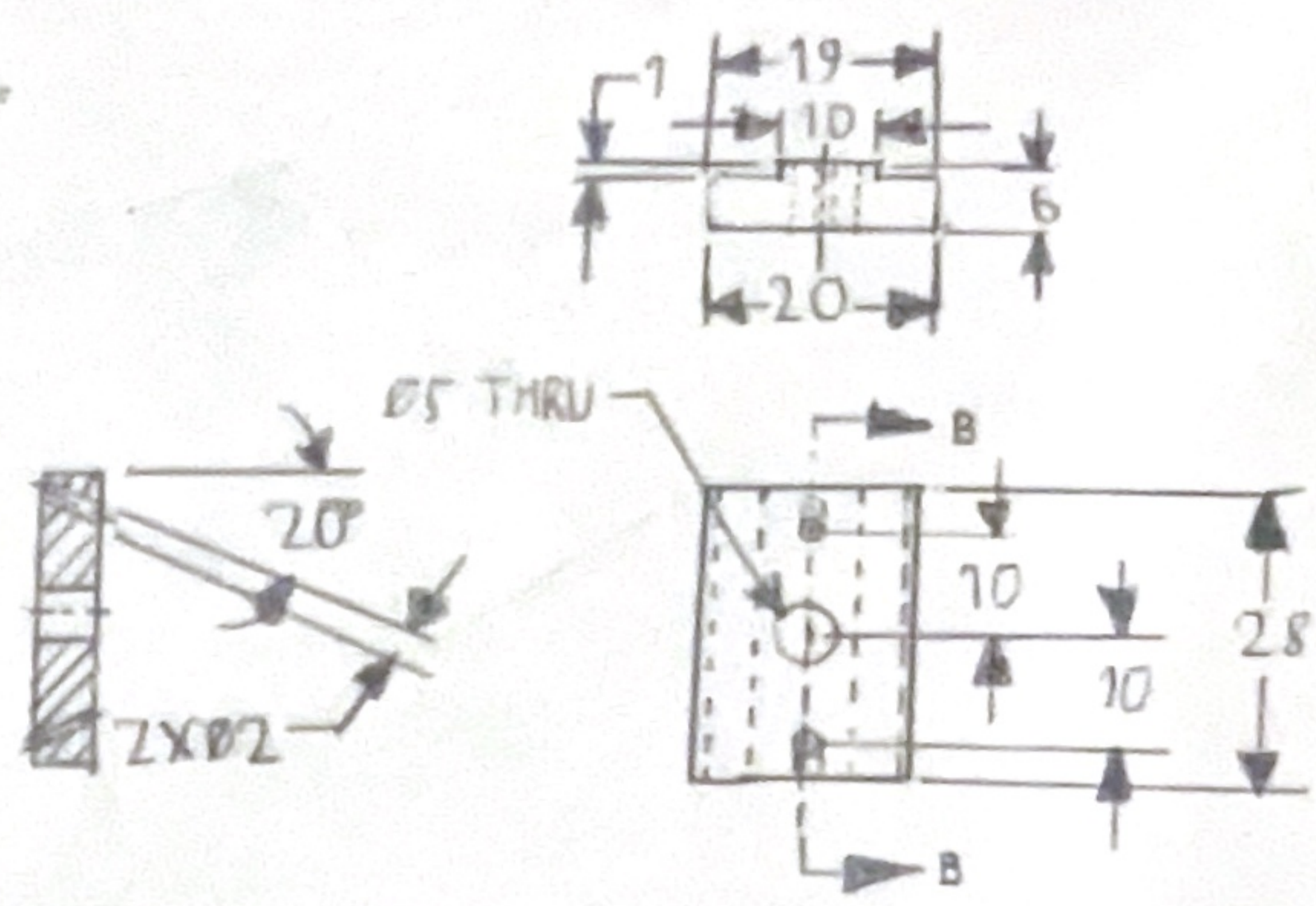
PART 4: CRANK SHAFT

MATERIAL: MILD STEEL
QUANTITY: 1



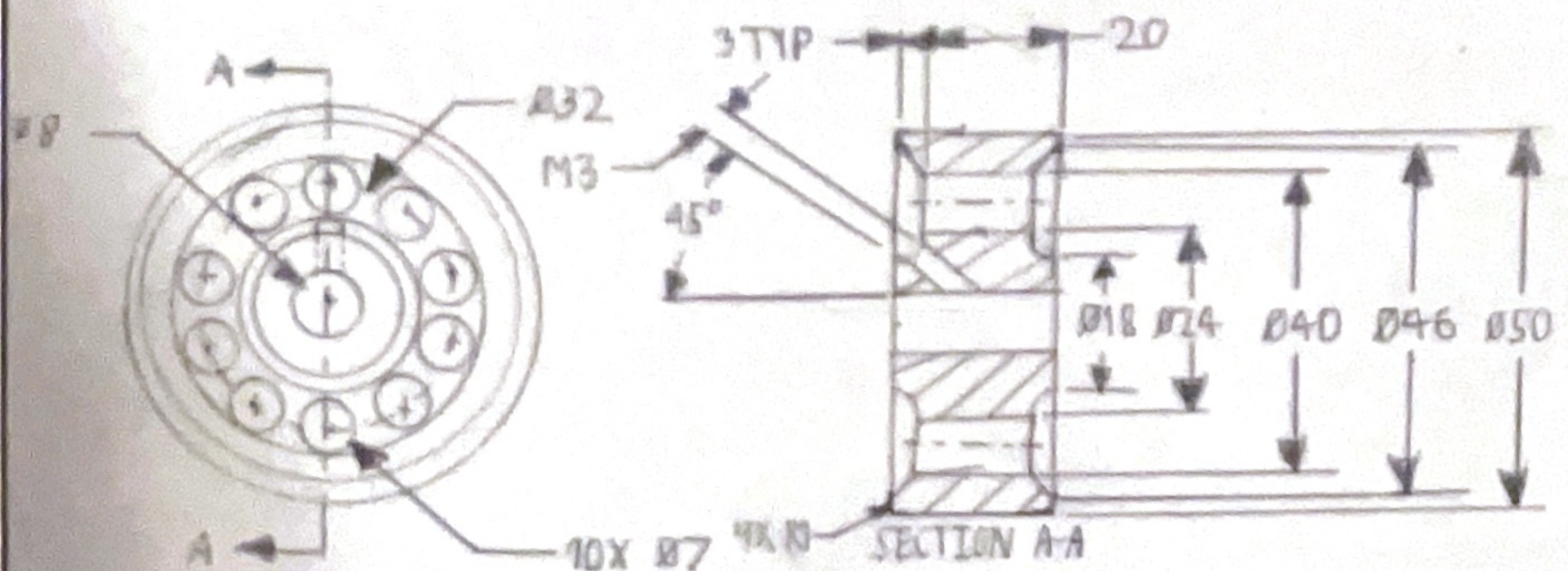
PART 11: CYLINDER BACK BLOCK

MATERIAL: BRONZE
QUANTITY: 1



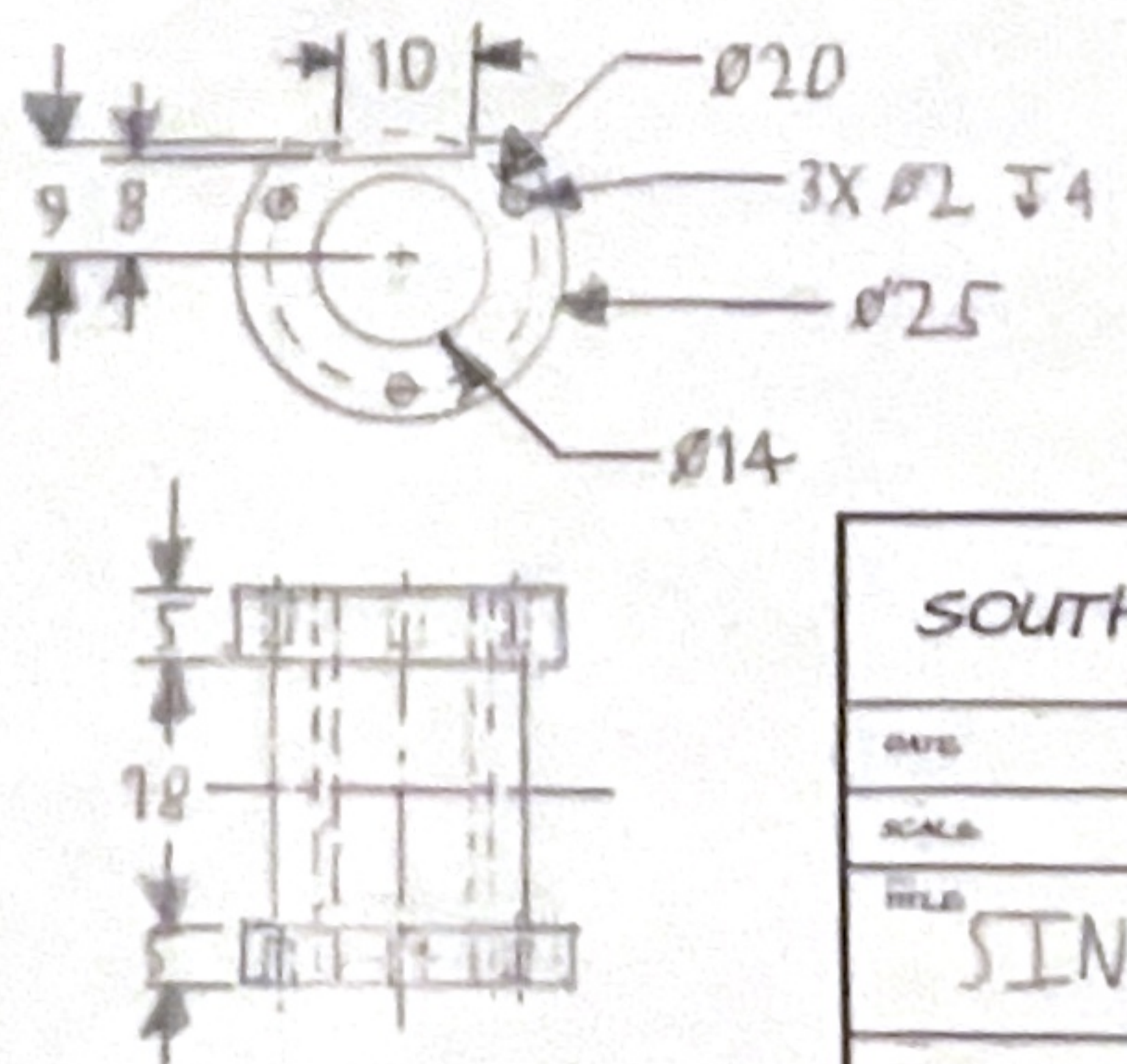
PART 6: FLYWHEEL

MATERIAL: CAST IRON
QUANTITY: 1



PART 10: CYLINDER

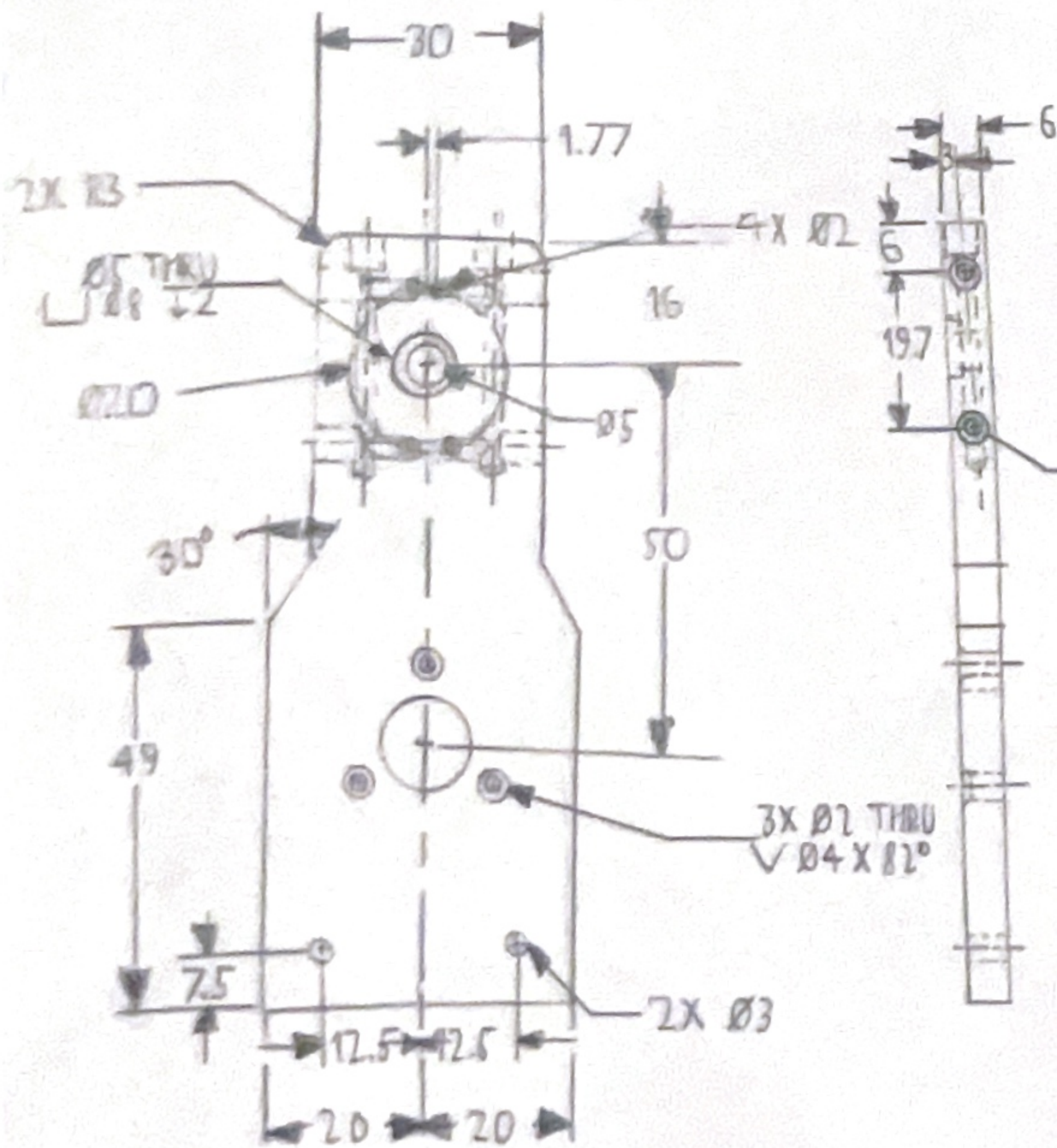
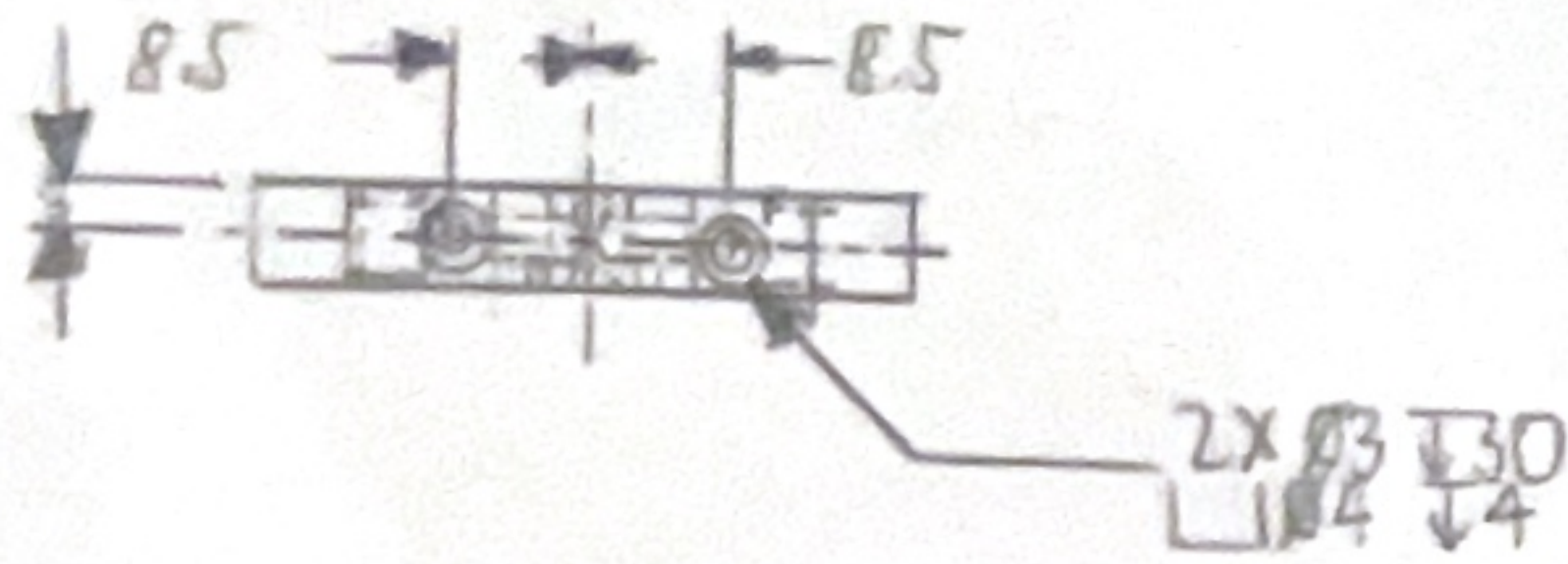
MATERIAL: BRONZE
QUANTITY: 1



SOUTH AND WEST WASHTENAW CONSORTIUM	
DATE	SALINE, MI
SCALE	
TITLE SINGLE CYLINDER OSCILLATING ENGINE	
DRAWN BY BD	FILE NUMBER 2-4

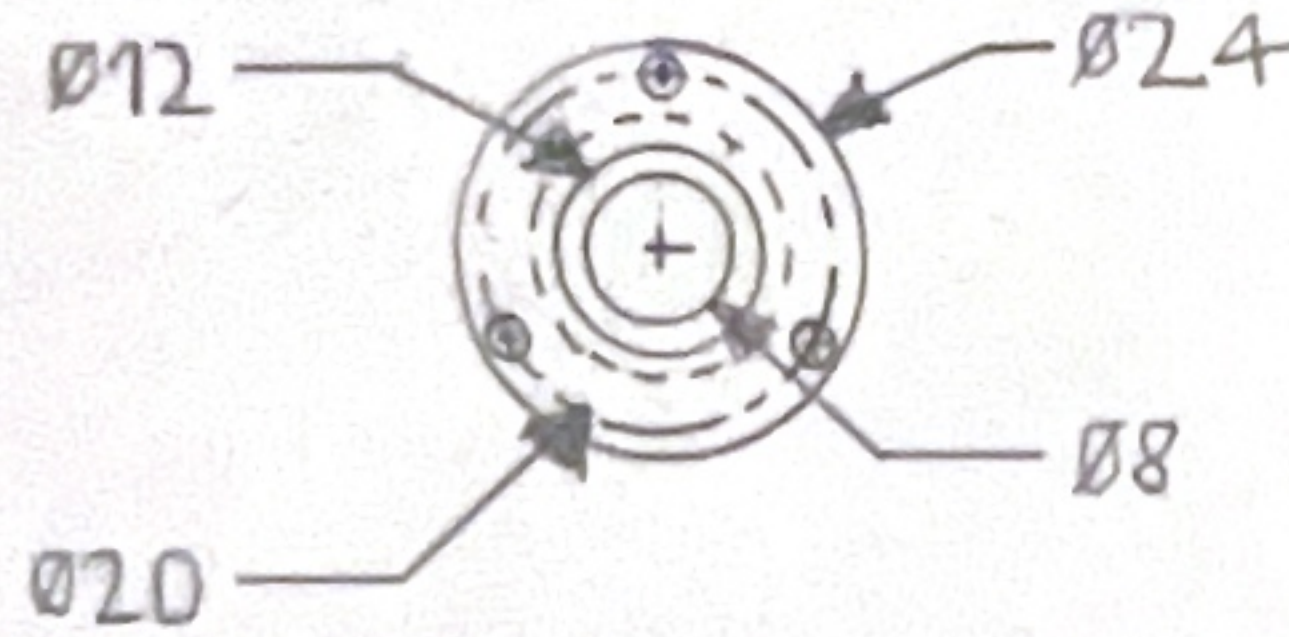
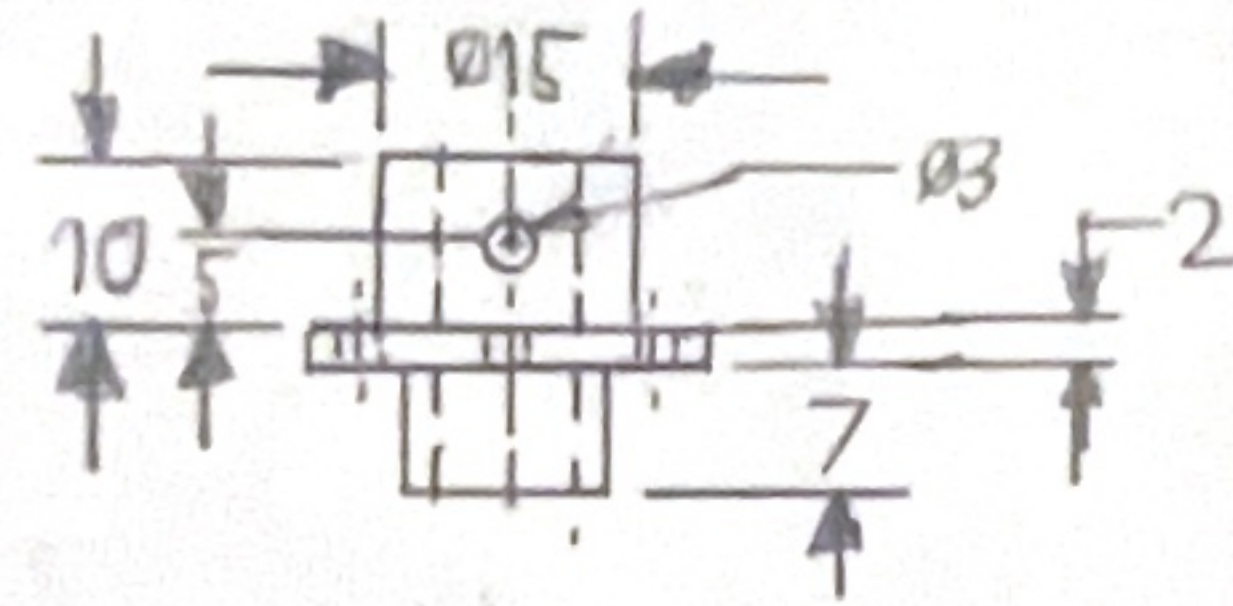
PART 2: FRAME

MATERIAL: ALUMINUM
QUANTITY: 1



PART 3: CRANK SHAFT BEARING

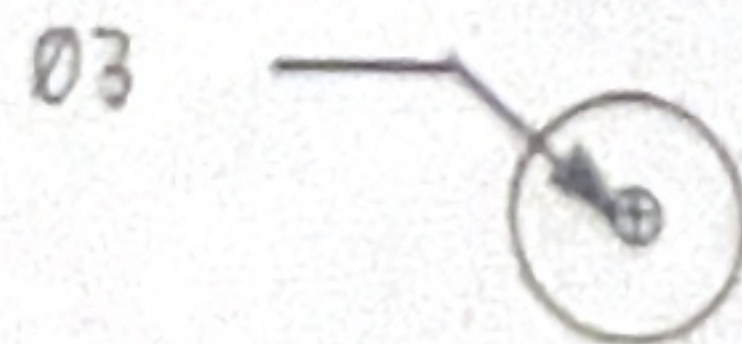
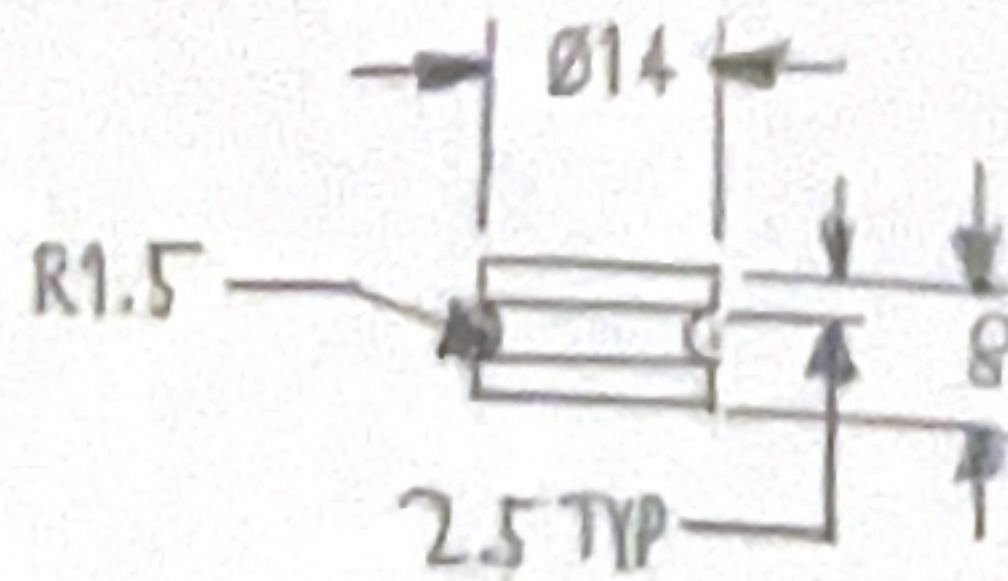
MATERIAL: BRONZE
QUANTITY: 1



2x Ø3 $\begin{matrix} \downarrow \text{Ø4} \\ \downarrow \text{Ø6} \end{matrix}$

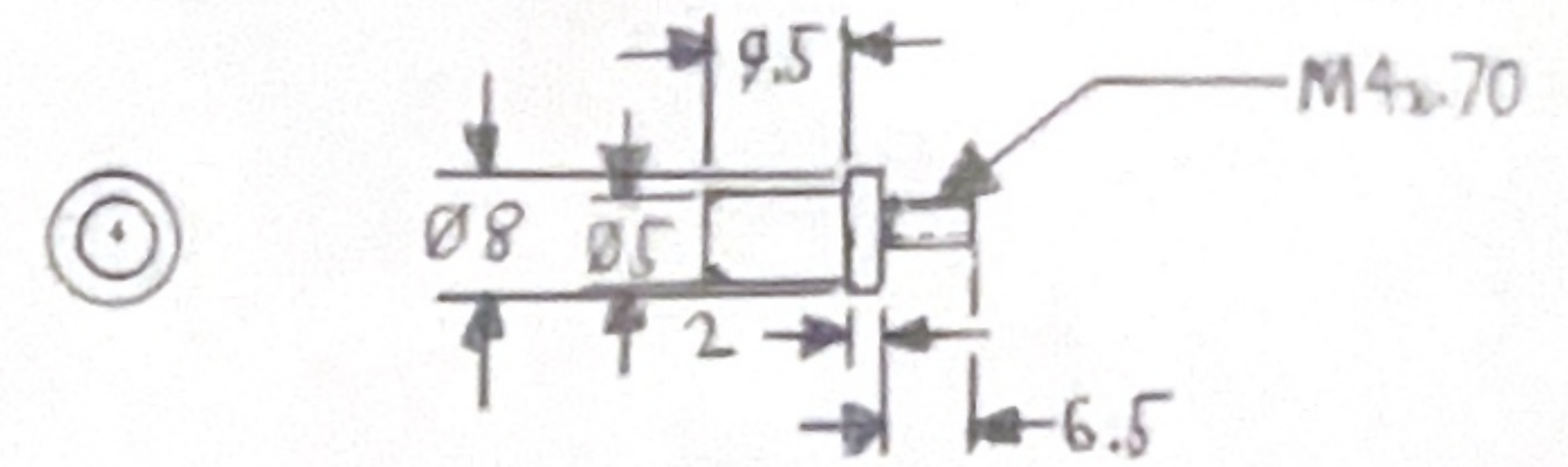
PART 9: PISTON

MATERIAL: CAST IRON
QUANTITY: 1



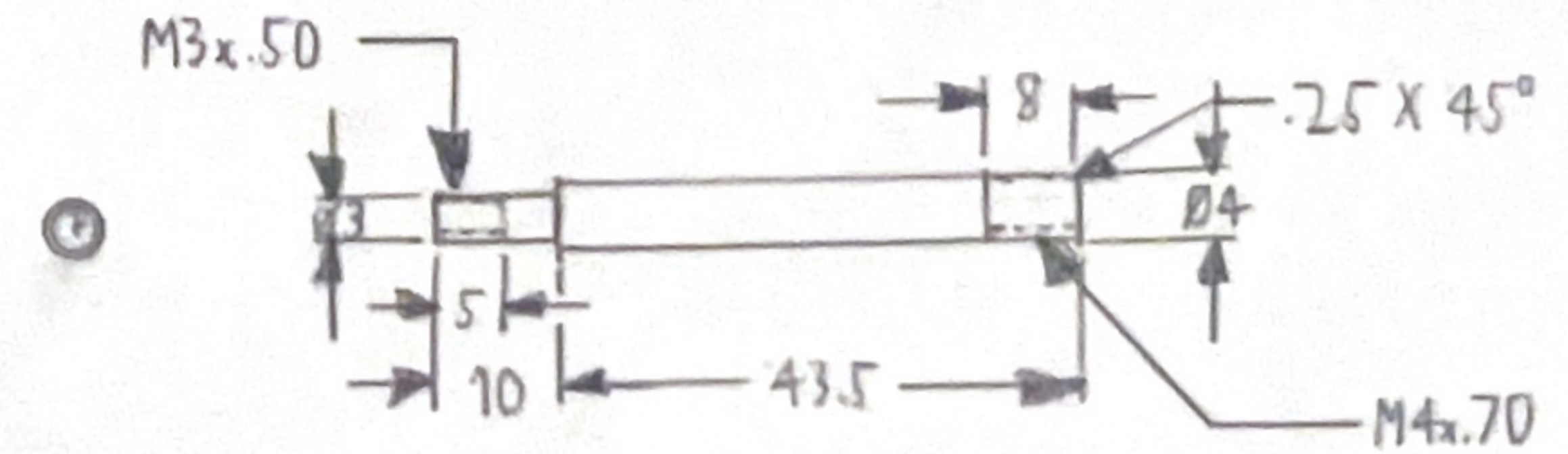
PART 5: CRANK PIN

MATERIAL: MILD STEEL
QUANTITY: 1



PART 8: PISTON ROD

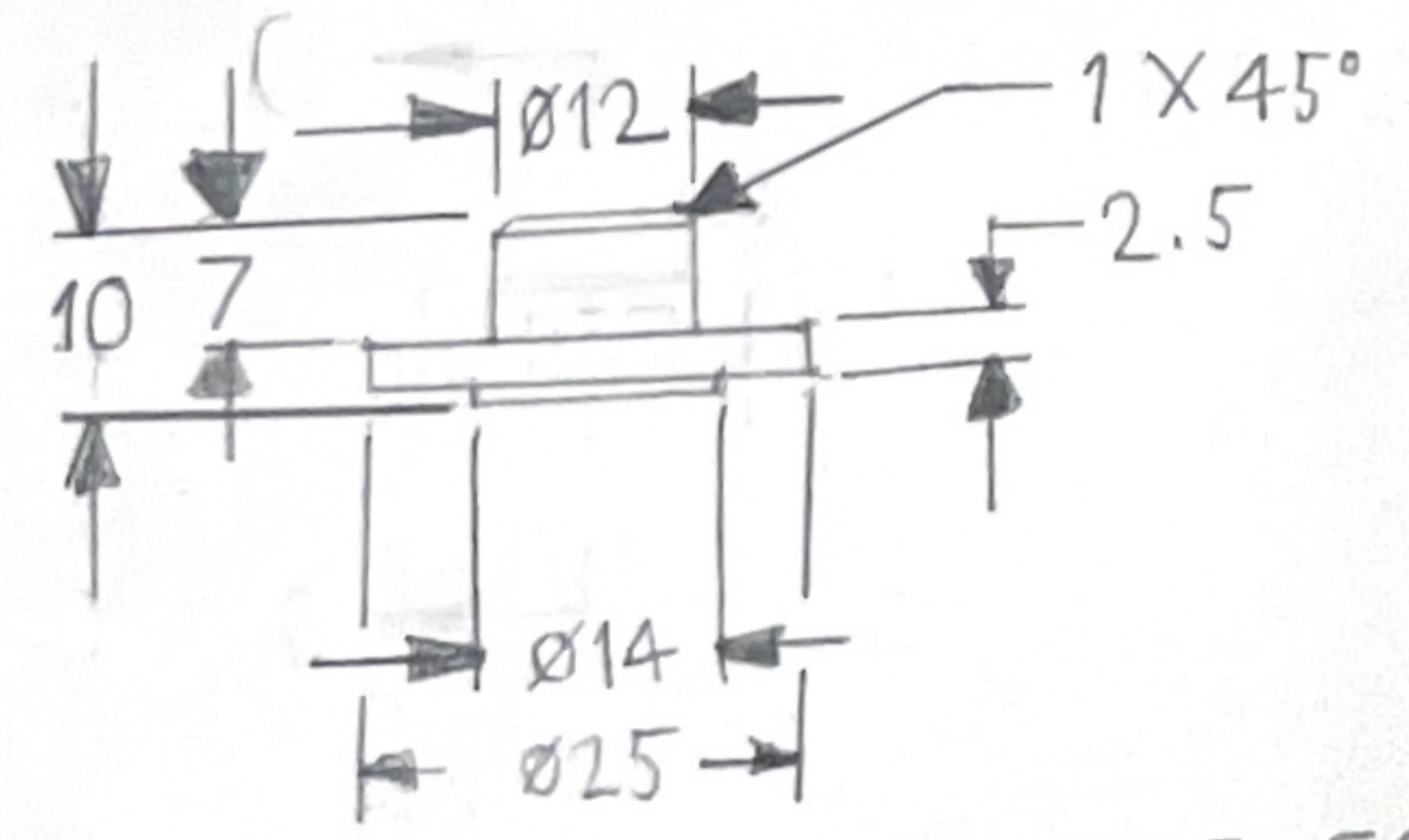
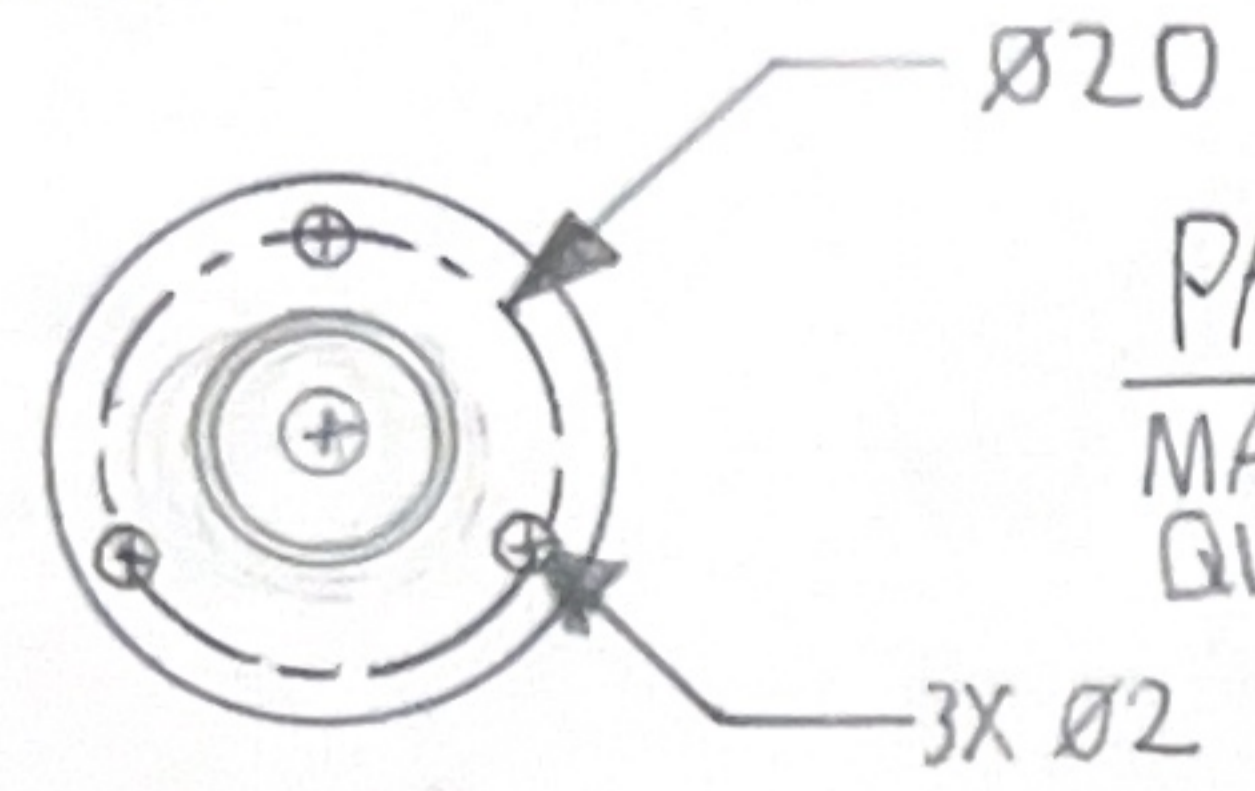
MATERIAL: MILD STEEL
QUANTITY: 1



SOUTH AND WEST WASHTENAW CONSORTIUM	
DATE	SALINE, MI
SCALE	
TITLE	SINGLE CYLINDER OSCILLATING ENGINE
DRAWN BY	BD
PAGE NUMBER	1 of 4

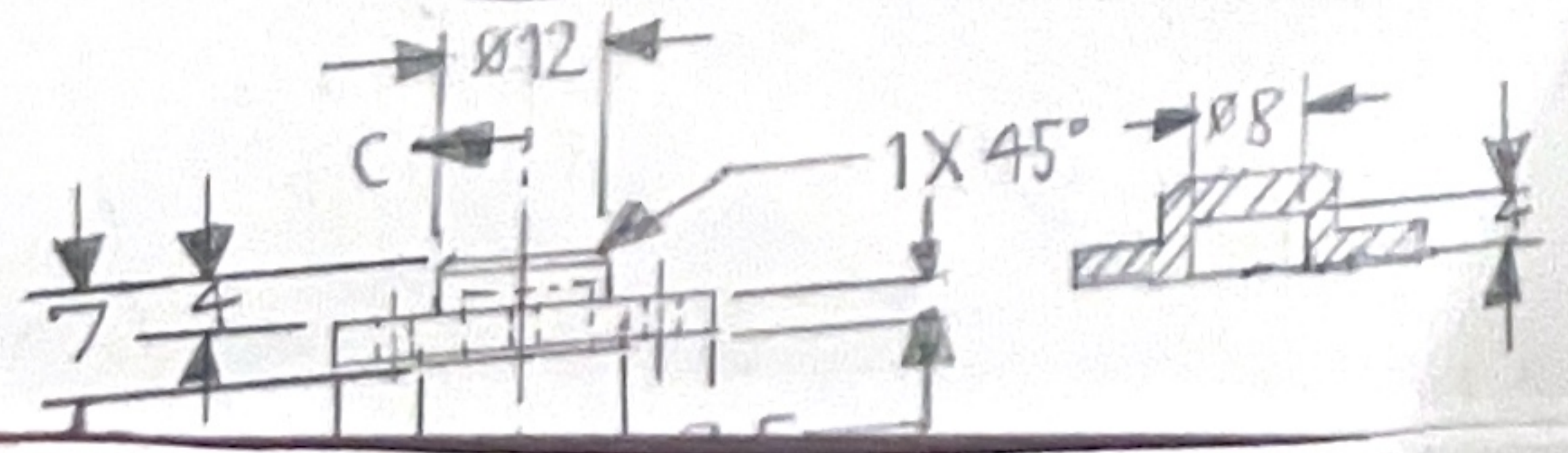
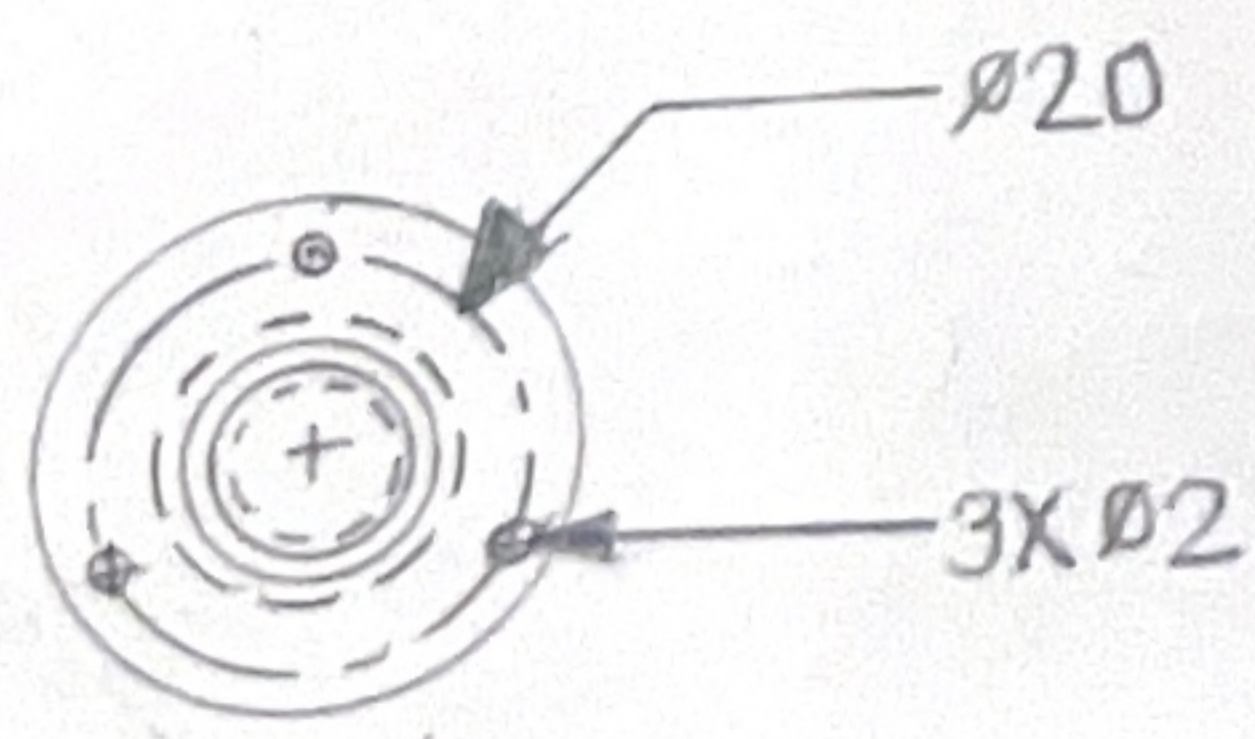
PART 13: CYLINDER BOTTOM COVER

MATERIAL: BRONZE
QUANTITY: 1



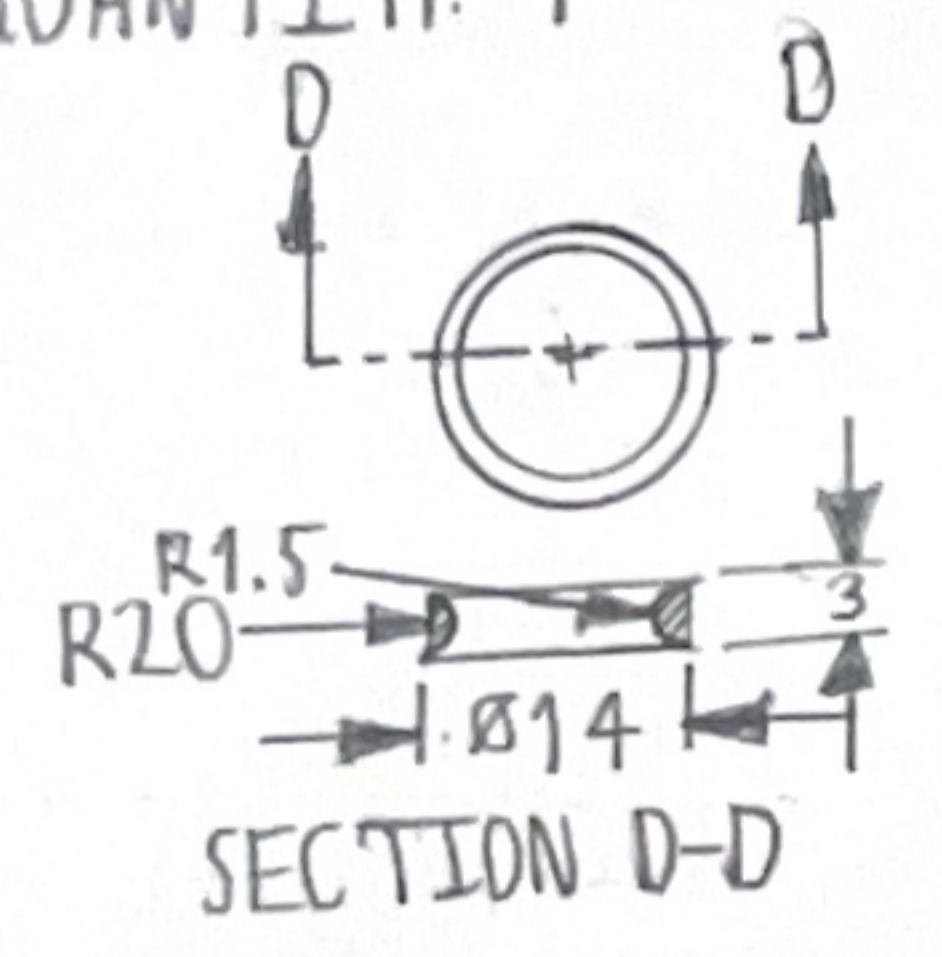
PART 12: CYLINDER TOP COVER

MATERIAL: BRONZE
QUANTITY: 1



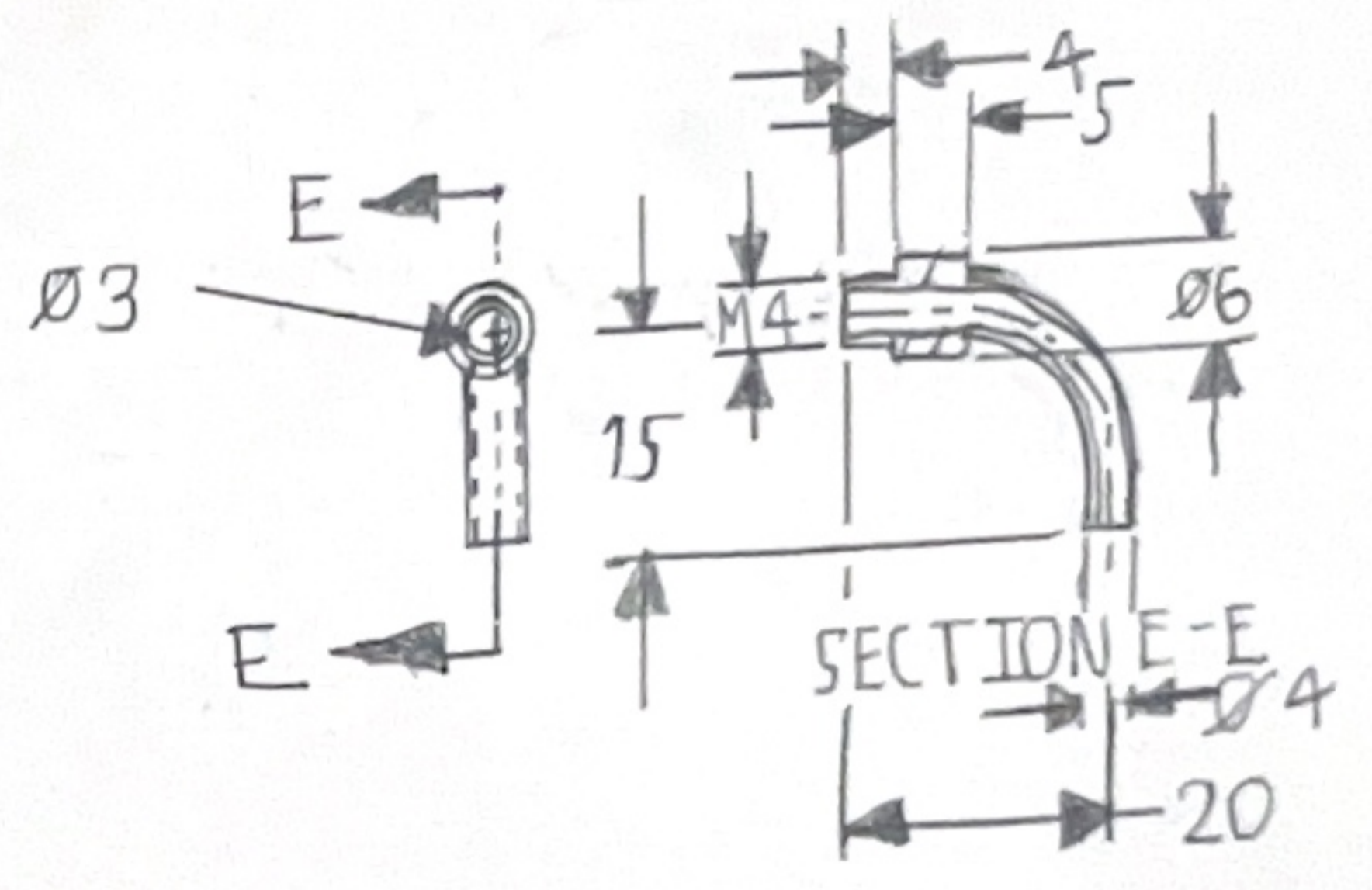
PART 17: PISTON RING

MATERIAL: NYLON
QUANTITY: 1



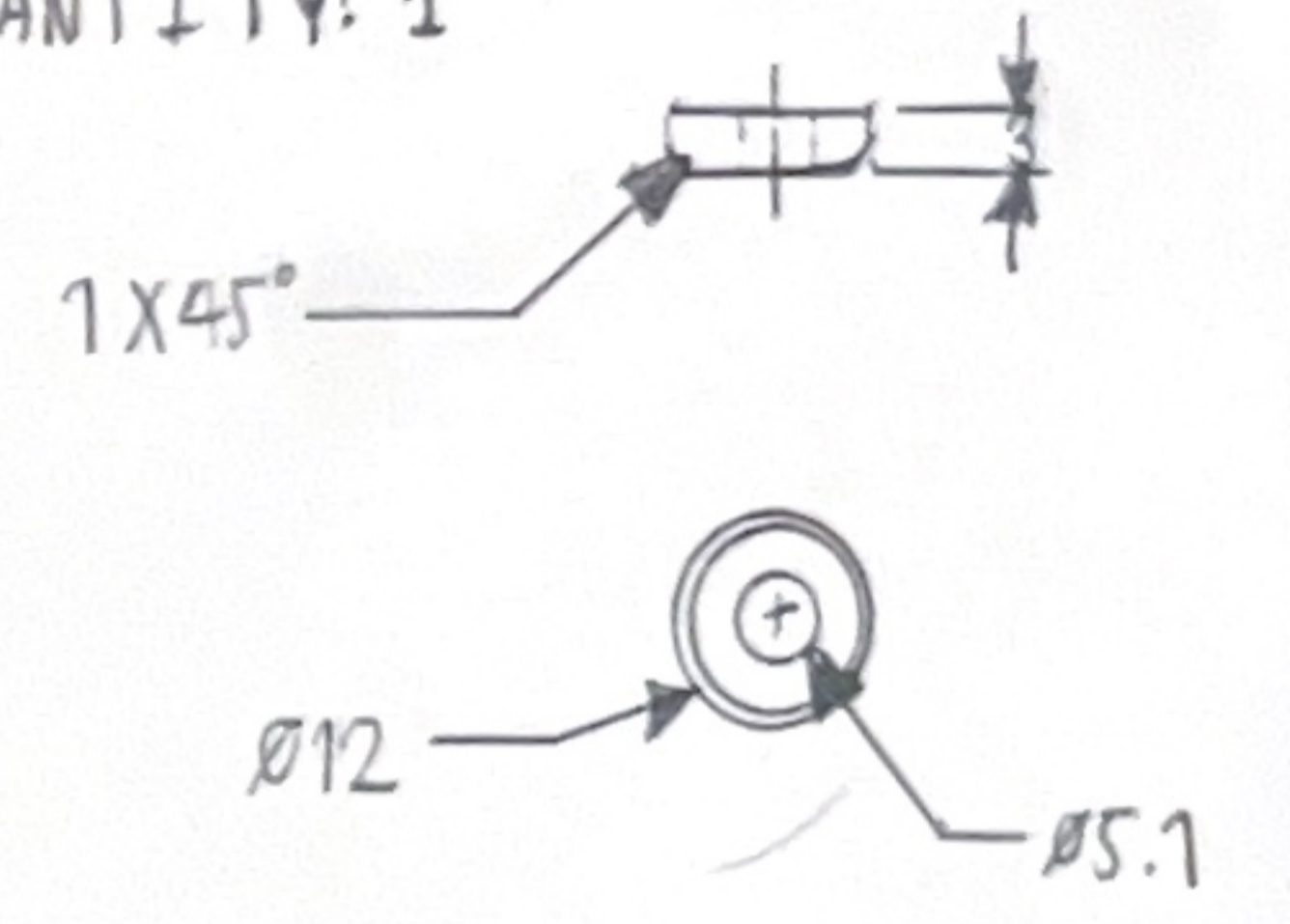
PART 16: IN-OUTLET STEAM PIPE

MATERIAL: BRASS
QUANTITY: 2



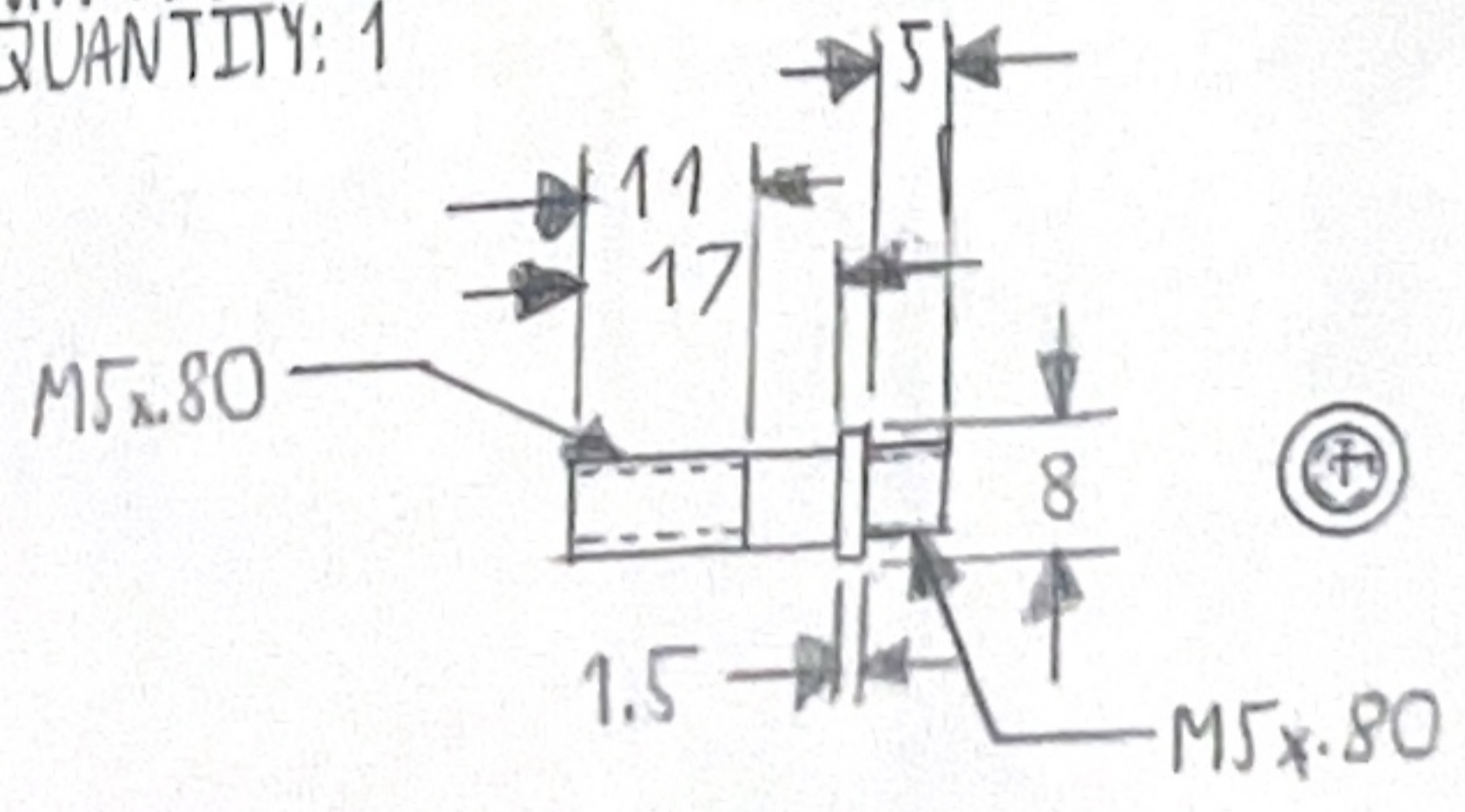
PART 15: NYLON RING

MATERIAL: NYLON
QUANTITY: 1



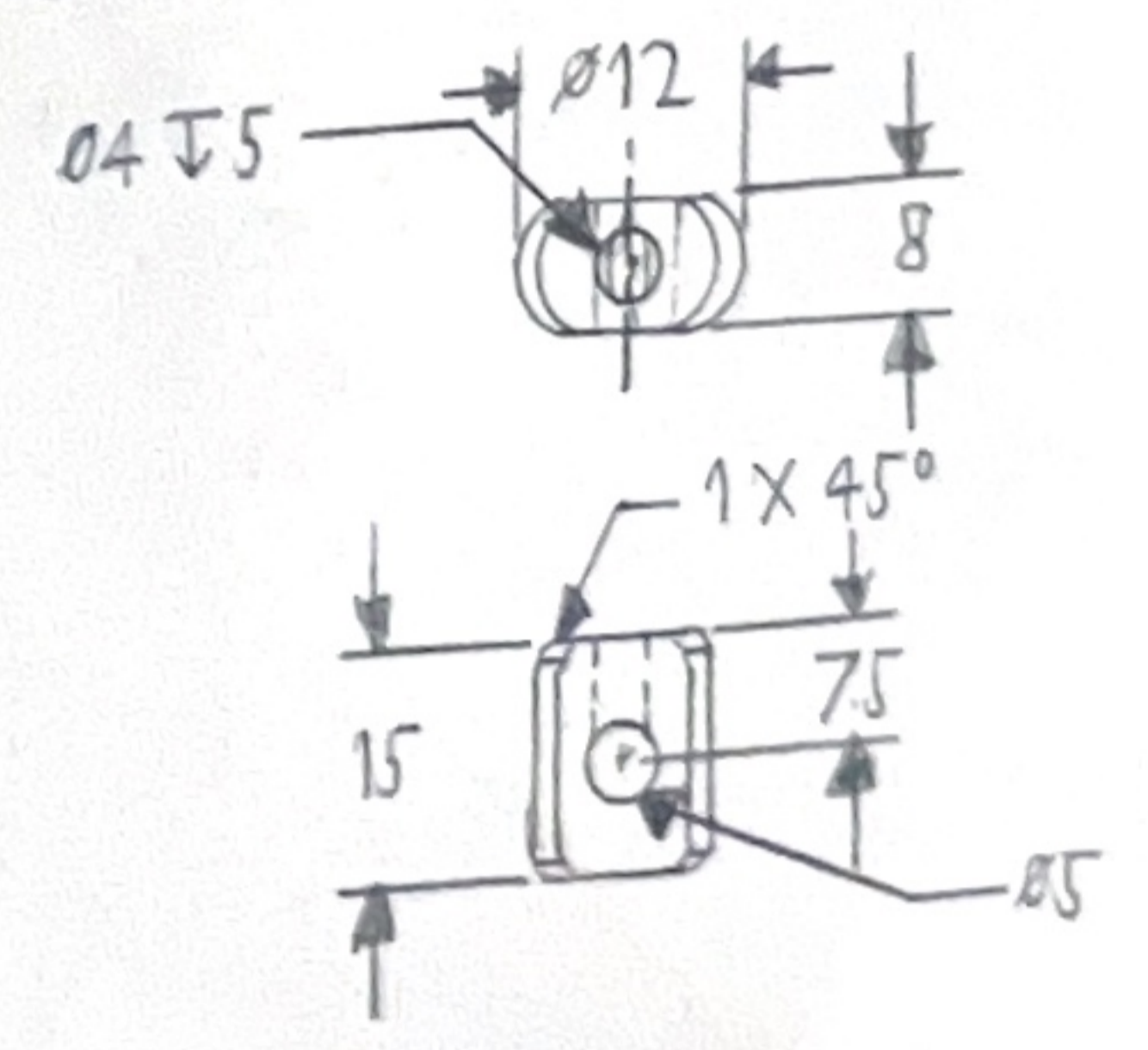
PART 14: ROCKING SHAFT

MATERIAL: MILD STEEL
QUANTITY: 1

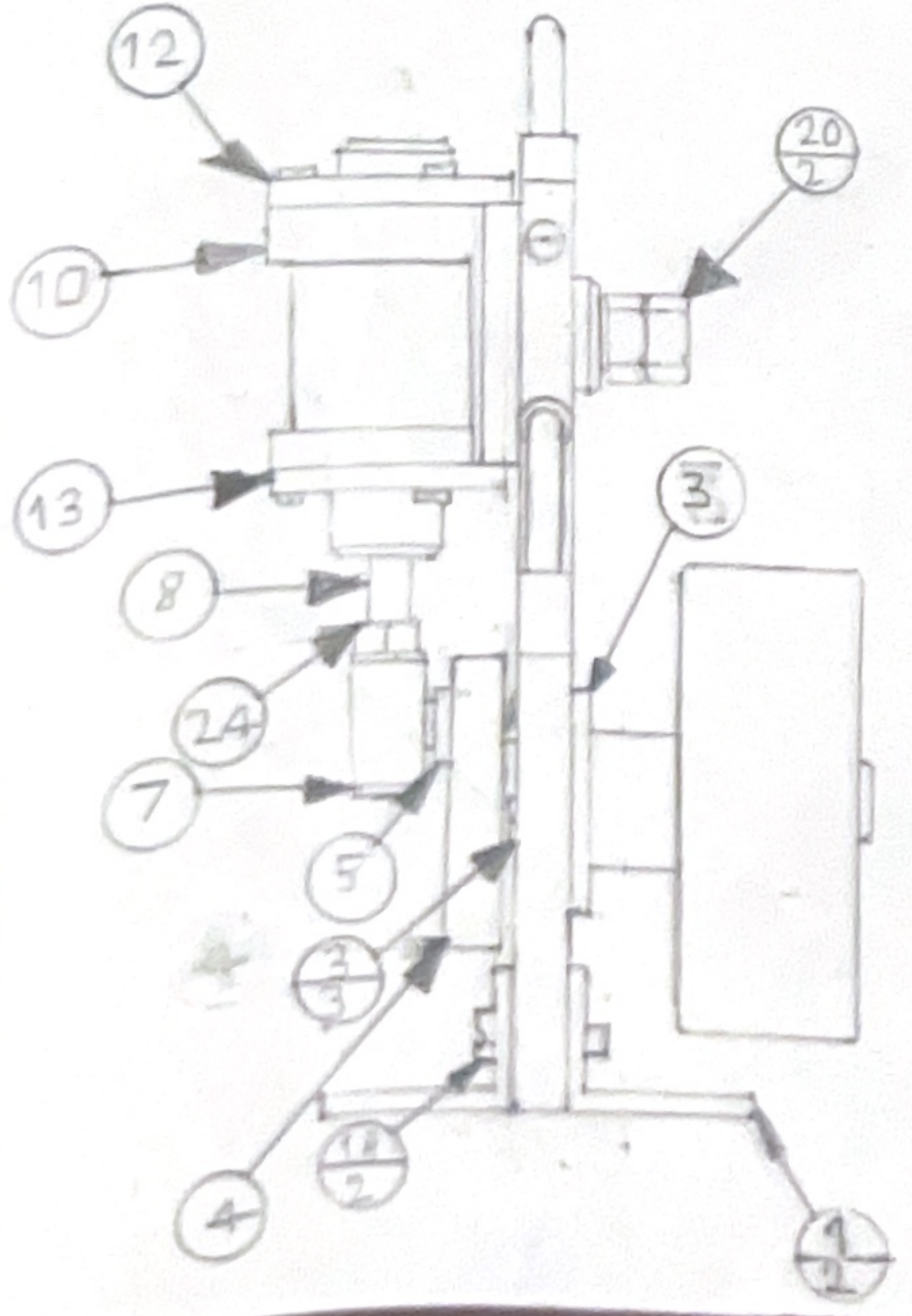
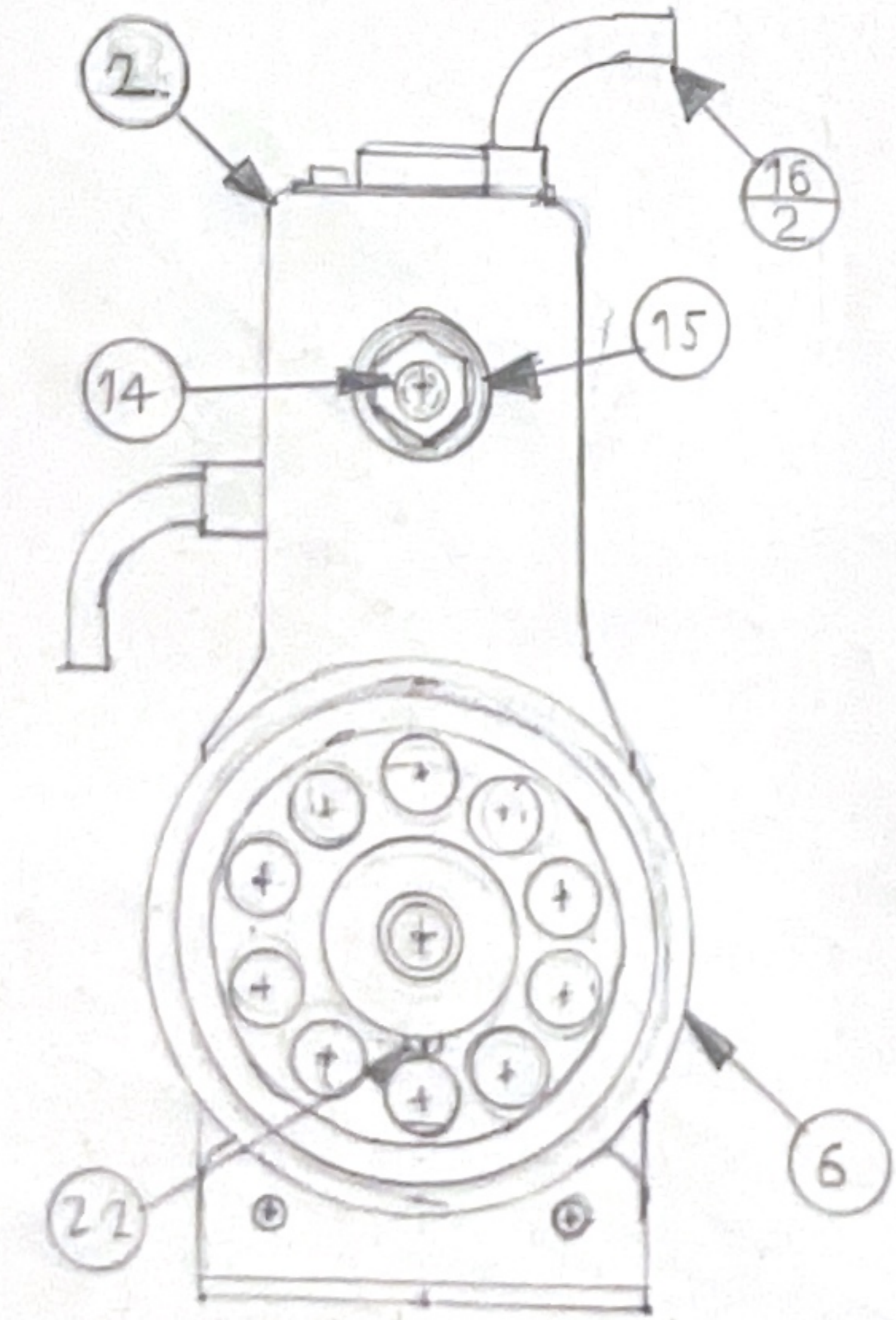
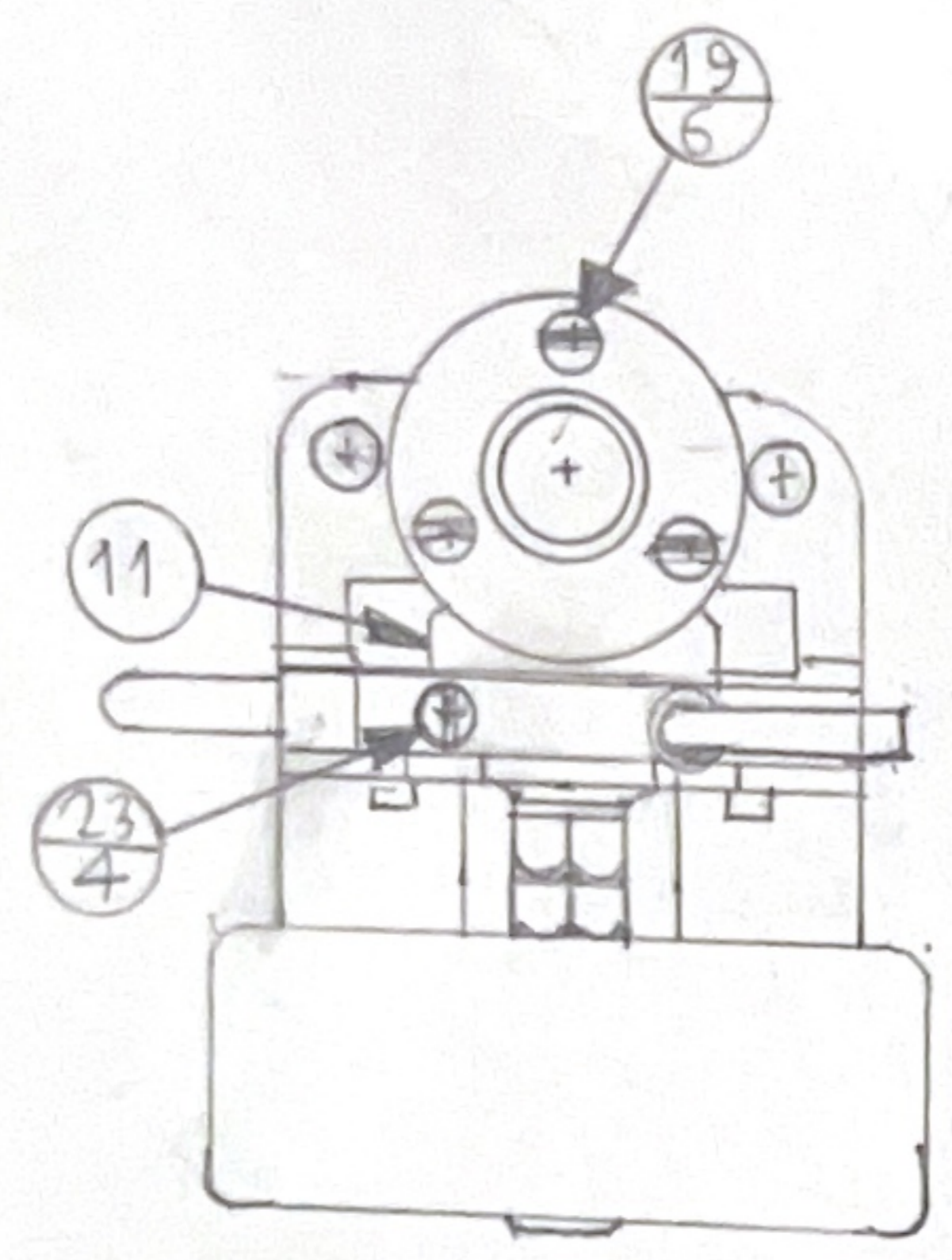


PART 7: CRANK PIN BEARING

MATERIAL: BRONZE
QUANTITY: 1



SOUTH AND WEST WASHTENAW CONSORTIUM	
SALINE, MI	
DATE	
SCALE	
TITLE	SINGLE CYLINDER OSCILLATING ENGINE
	PAGE NUMBER



ITEM	QUANTITY	NAME	MATERIAL
1	2	FRAME SUPPORT	BRASS
2	1	FRAME	ALUMINUM
3	1	CRANK SHAFT BEARING	BRONZE
4	1	CRANK SHAFT	MILD STEEL
5	1	CRANK PIN	MILD STEEL
6	1	FLYWHEEL	CAST IRON
7	1	CRANK PIN BEARING	BRONZE
8	1	PISTON ROD	MILD STEEL
9	1	PISTON	CAST IRON
10	1	CYLINDER	BRONZE
11	1	CYLINDER BACK BLOCK	BRONZE
12	1	CYLINDER TOP COVER	BRONZE
13	1	CYLINDER BOTTOM COVER	BRONZE
14	1	ROCKING SHAFT	MILD STEEL
15	1	NYLON RING	NYLON
16	2	IN-OUTLET STEAM PIPE	BRASS
17	1	PISTON RING	NYLON
18	2	SL CH HD M3x0.5x12	SS
19	6	SL CH HD M2x0.4x6	SS
20	2	HEX NUT GR A2B M4x0.7	SS
21	3	SL CSK FH SCR M2x0.4x8	SS
22	1	FL PT SL SET SCR M3x0.5x8	SS
23	4	FL PT SL SET SCR M4x0.7x4	SS
24	1	HEX NUT GR A2B M4x0.7	SS

SOUTH AND WEST WASHTENAW CONSORTIUM

DATE: _____ SCALE: 1:1 TITLE: SINGLE CYLINDER OSCILLATING ENGINE

DESIGNED BY: _____ DRAWN BY: BD