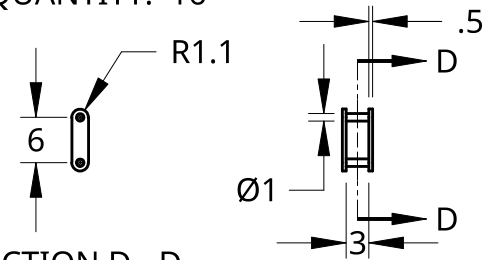


PART 7: BOGIE CENTER LEAF SPRING STRAP PART 9: BOGIE FRONT SKIRTING HOLDING BRACKET

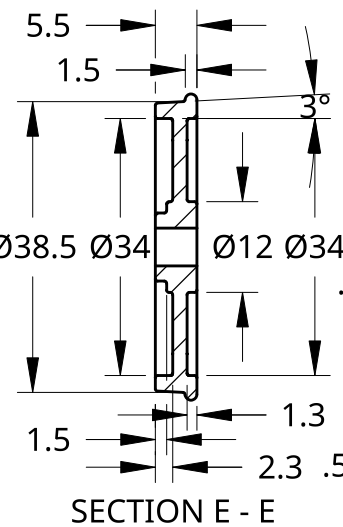
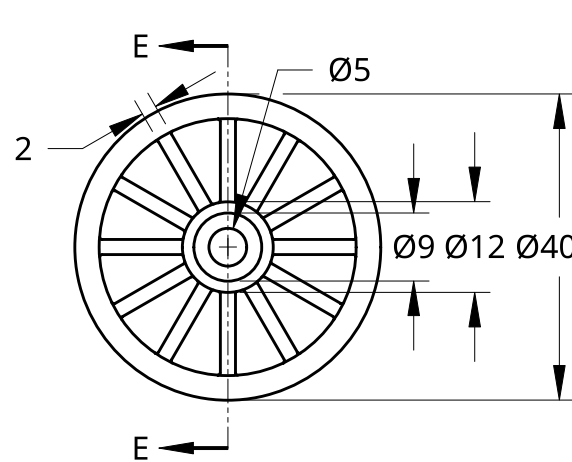
MATERIAL: STEEL
QUANTITY: 16



SECTION D - D

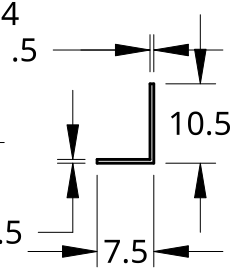
PART 19: BOGIE WHEEL

MATERIAL: CARBON STEEL
QUANTITY: 16

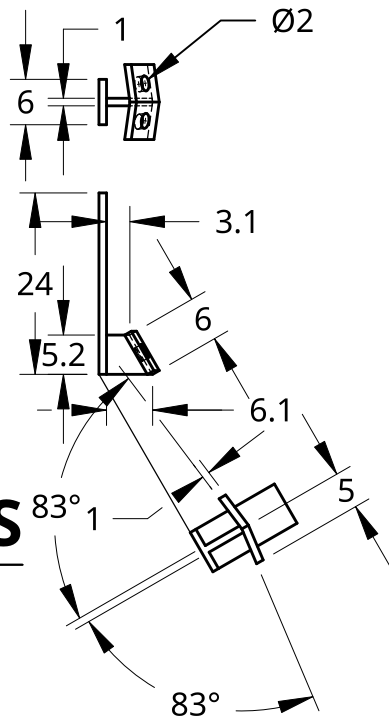


PART 49: STEPS

MATERIAL: STEEL
QUANTITY: 4

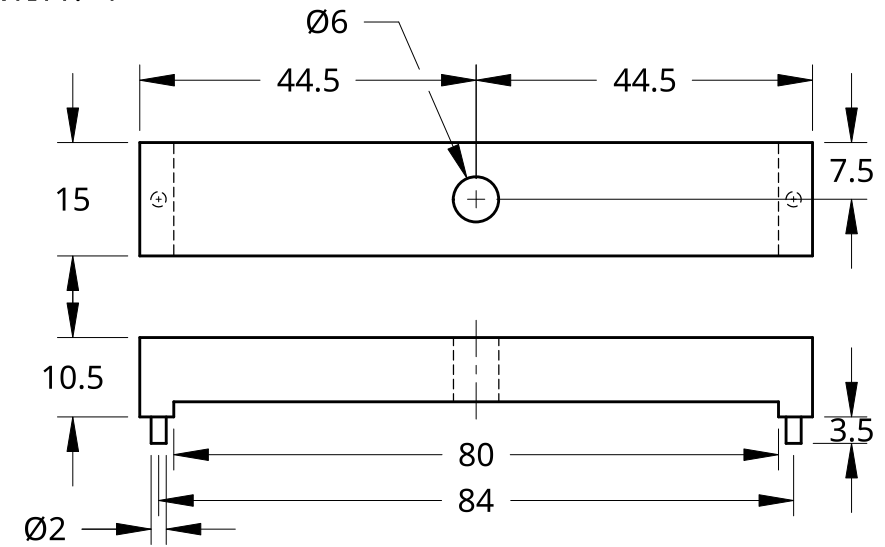


MATERIAL: STEEL
QUANTITY: 8



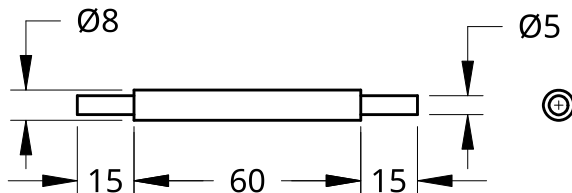
PART 13: BOGIE PIVOT BEAM

MATERIAL: STEEL
QUANTITY: 4



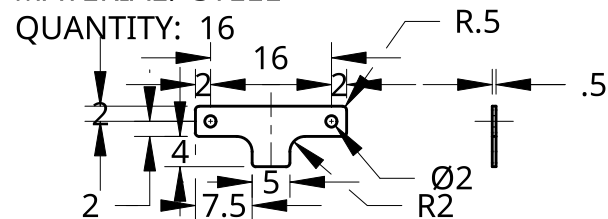
PART 20: BOGIE WHEEL AXLE

MATERIAL: CARBON STEEL
QUANTITY: 8
SCALE: 1:2



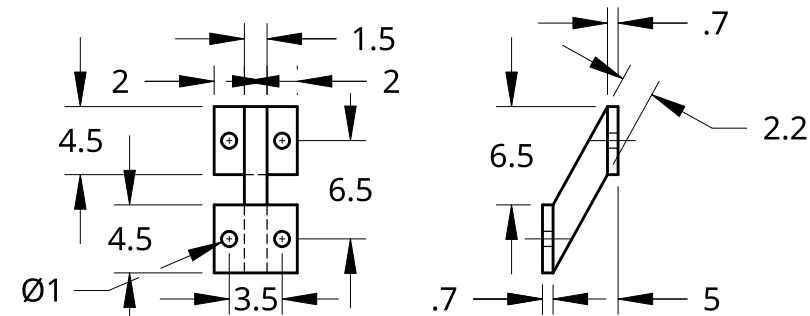
PART 5: BOGIE AXLE BOX RETAINER

MATERIAL: STEEL
QUANTITY: 16



PART 17: BOGIE SIDE SKIRTING HOLDING BRACKET

MATERIAL: STEEL
QUANTITY: 16
SCALE: 2:1



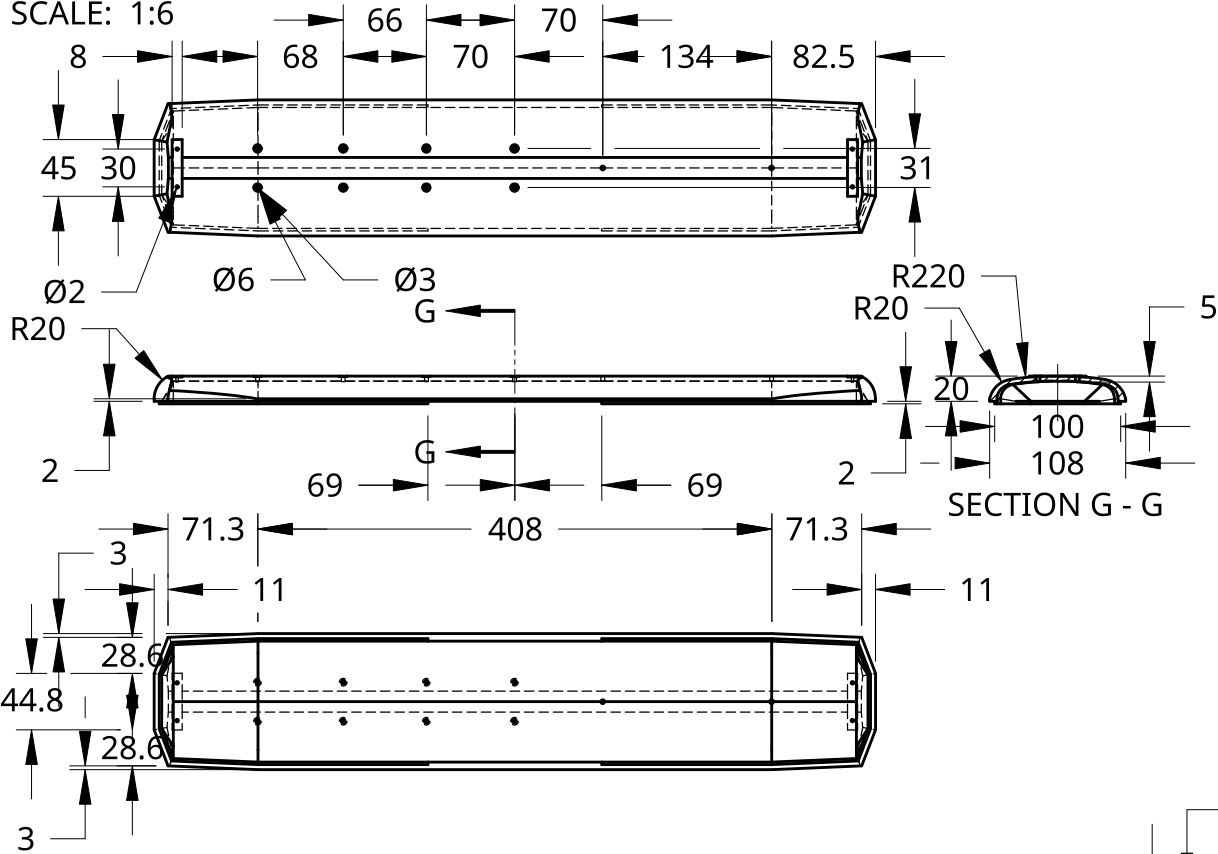
UNLESS OTHERWISE SPECIFIED,
DIMENSIONS ARE IN INCHES
.XX = ±.0-
.XXX = ±.00-
.XXXX = ±.000-
SURFACE FINISH ✓
DO NOT SCALE DRAWING
BREAK ALL SHARP EDGES AND
REMOVE BURRS
THIRD ANGLE PROJECTION

	NAME	DATE
DRAWN		04/24/2026
CHECKED		
APPROVED		
MATERIAL	FINISH	

TITLE		
BLUE TRAM 2.5 GAUGE		
SIZE	DWG NO.	REV.
B		
SCALE	WEIGHT	SHEET
1:1		2 of 4

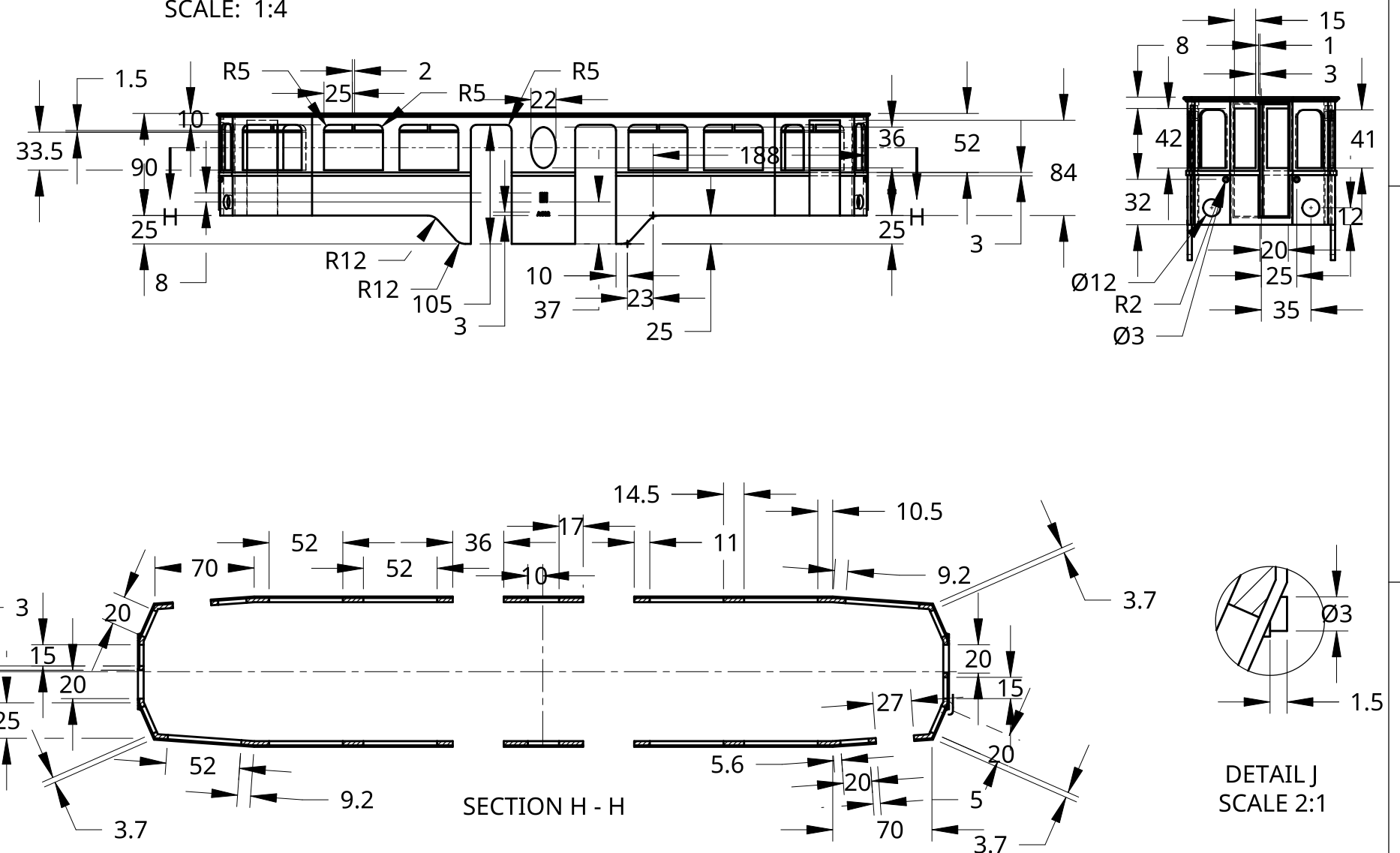
PART 39: ROOF

MATERIAL: ALUMINUM
 QUANTITY: 1
 SCALE: 1:6



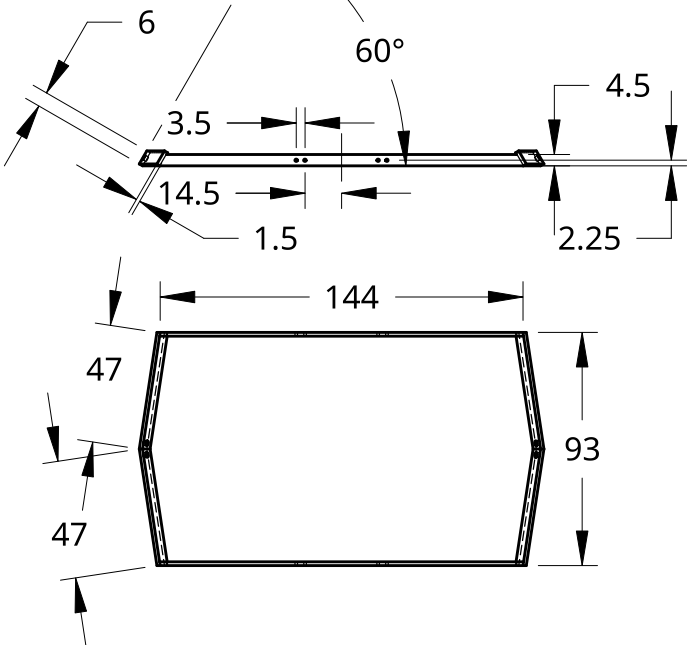
PART 51: WAGON BODY

MATERIAL: BRASS
 QUANTITY: 1
 SCALE: 1:4



PART 18: BOGIE SKIRTING

MATERIAL: STEEL
 QUANTITY: 4
 SCALE: 1:3



UNLESS OTHERWISE SPECIFIED, DIMENSIONS ARE IN INCHES .XX = ±.0- .XXX = ±.00- .XXXX = ±.000- SURFACE FINISH		NAME	DATE	TITLE	
DO NOT SCALE DRAWING	BREAK ALL SHARP EDGES AND REMOVE BURRS	DRAWN	04/24/2026	BLUE TRAM 2.5 GAUGE	
THIRD ANGLE PROJECTION		CHECKED			
		APPROVED		SIZE	DWG NO.
				B	
				SCALE	1:6
				WEIGHT	
				SHEET	3 of 4

4

3

2

1

D

D

C

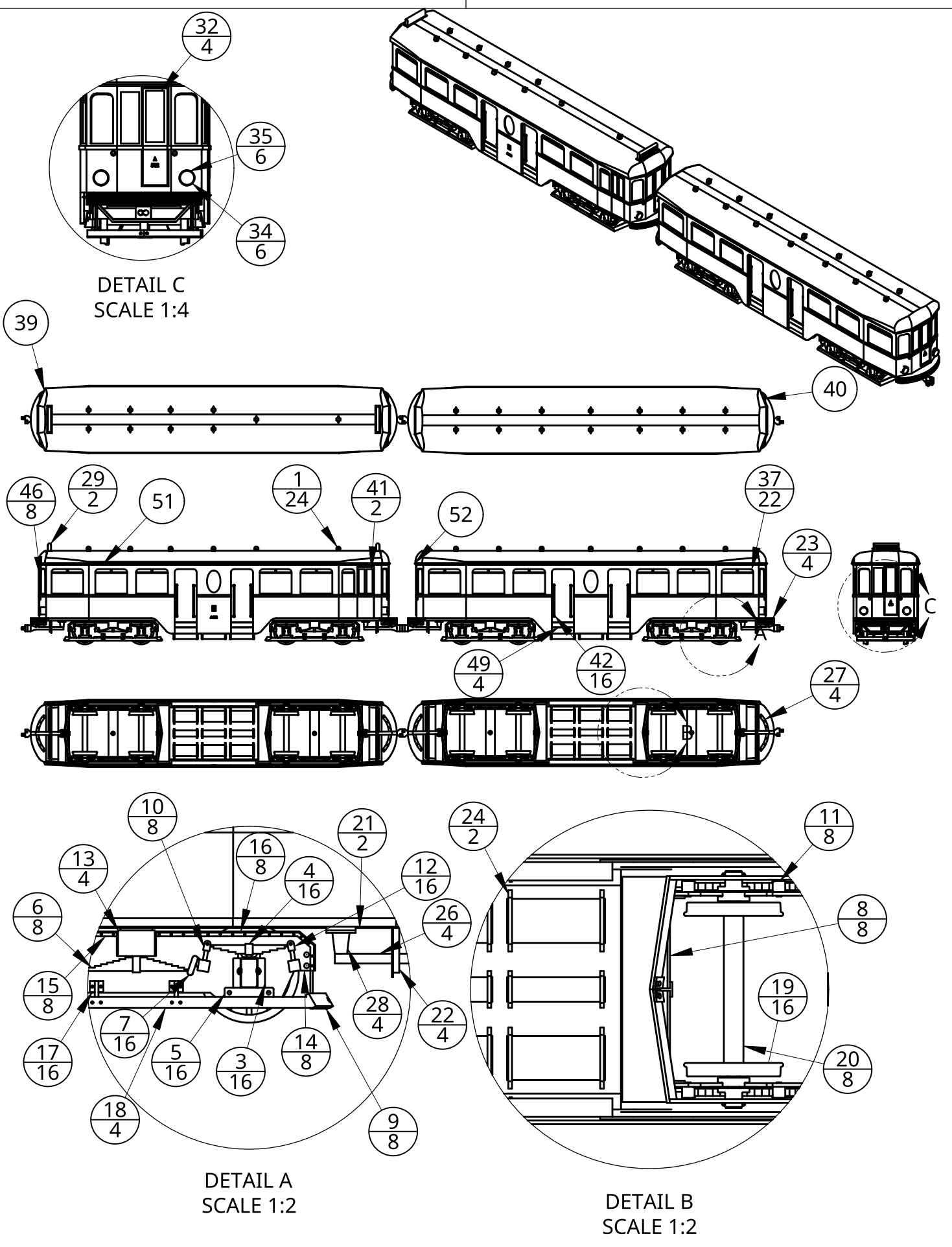
C

B

B

A

A



Item	Quantity	Name	Material	Item	Quantity	Name	Material
28	4	Coupling Pivot Bracket	Brass	1	24	Air Vents	Brass
29	2	Destination Sign	Aluminum	2	4	Balcony Hand Rail	Brass
30	2	Floor Plate	Carbon Steel	3	16	Bogie Axle Box	Cast iron
31	26	Folding Seats	Brass	4	16	Bogie Axle Box Leaf Spring	Steel
32	4	Front Em Exit Door	Brass	5	16	Bogie Axle Box Retainer	Steel
33	4	Hand Brake	Stainless Steel	6	8	Bogie Center Leaf Spring	Steel
34	6	Head Lamp	Brass	7	16	Bogie Center Leaf Spring Strap	Steel
35	6	Head Lamp - Glass Lens	Glass	8	8	Bogie Cross Brace	Steel
36	4	Internal Partition	Steel	9	8	Bogie Front Skirting Holding Bracket	Steel
37	22	Large Side Windows	Glass	10	8	Bogie Inner Leaf Spring Holder	Steel
38	4	Oval Side Windows	Glass	11	8	Bogie Inner Leaf Spring Holder - Mirrored	Steel
39	1	Roof	Aluminum	12	16	Bogie Outer Leaf Spring Holder	Steel
40	1	Roof - Second	Aluminum	13	4	Bogie Pivot Beam	Steel
41	2	Side Em Exit Door	Brass	14	8	Bogie Side Frame	Steel
42	16	Side Hand Rail	Brass	15	8	Bogie Side Frame Angle	Steel
43	16	Single Seat	Brass	16	8	Bogie Side Frame Angle - Mirrored	Steel
44	4	Sliding Door Cover	Steel	17	16	Bogie Side Skirting Holding Bracket	Steel
45	8	Sliding Doors	Brass	18	4	Bogie Skirting	Steel
46	8	Small Front Side Windows	Glass	19	16	Bogie Wheel	Carbon Steel
47	4	Small Front Windows	Glass	20	8	Bogie Wheel Axle	Carbon Steel
48	2	Small Side Windows	Glass	21	2	Bottom Frame Work	Steel
49	4	Steps	Steel	22	4	Bracing Angle	Brass
50	16	Twin Seat	Brass	23	4	Bumper	Steel
51	1	Wagon Body	Brass	24	2	Compressed Air Containers	Copper
52	1	Wagon Body - Second	Brass	25	4	Control Cabinet	Brass
				26	4	Coupling	Stainless Steel
				27	4	Coupling Guide Ring	Brass

UNLESS OTHERWISE SPECIFIED, DIMENSIONS ARE IN INCHES
 .XX = ±.0-
 .XXX = ±.00-
 .XXXX = ±.000-
 SURFACE FINISH ✓

NAME	DATE
DRAWN	04/24/2026
CHECKED	
APPROVED	

DO NOT SCALE DRAWING
 BREAK ALL SHARP EDGES AND REMOVE BURRS
 THIRD ANGLE PROJECTION

TITLE: **BLUE TRAM 2.5 GAUGE**

SIZE: **B** DWG NO. _____ REV. _____
 SCALE: **1:8** WEIGHT _____ SHEET: **4 of 4**

4

3

2

1