

4

3

2

1

D

D

C

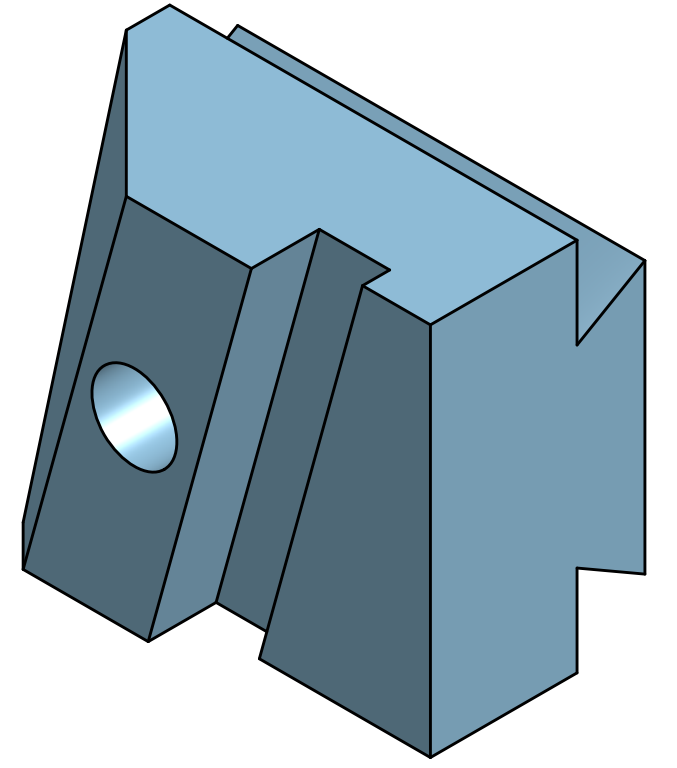
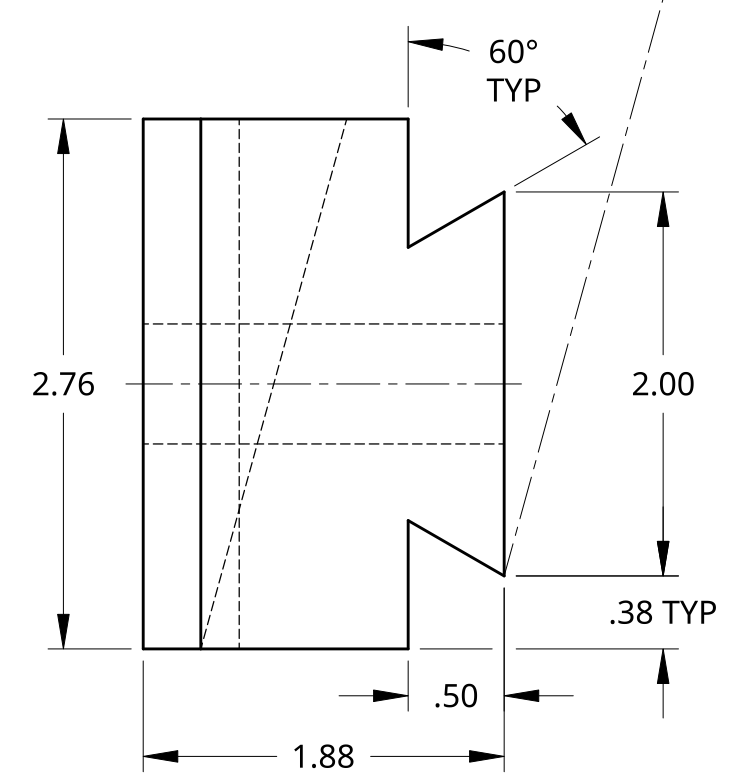
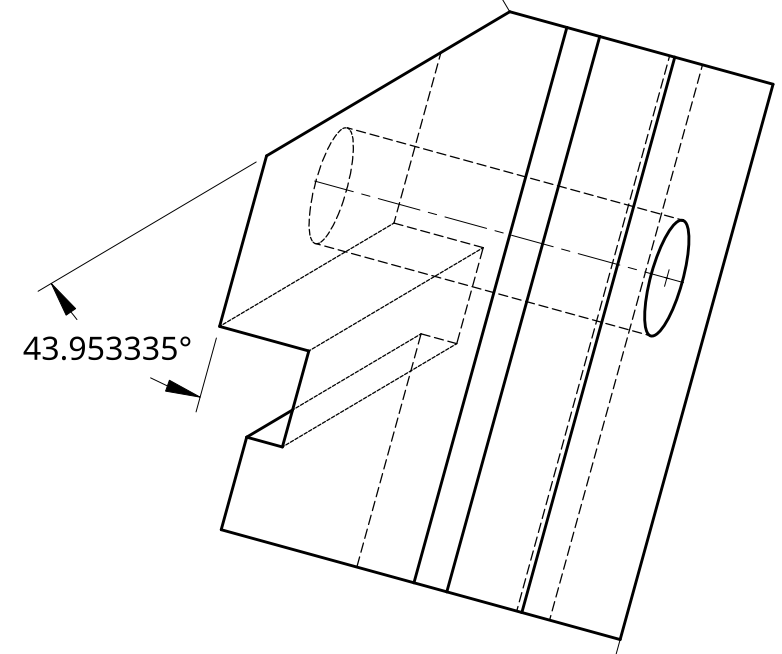
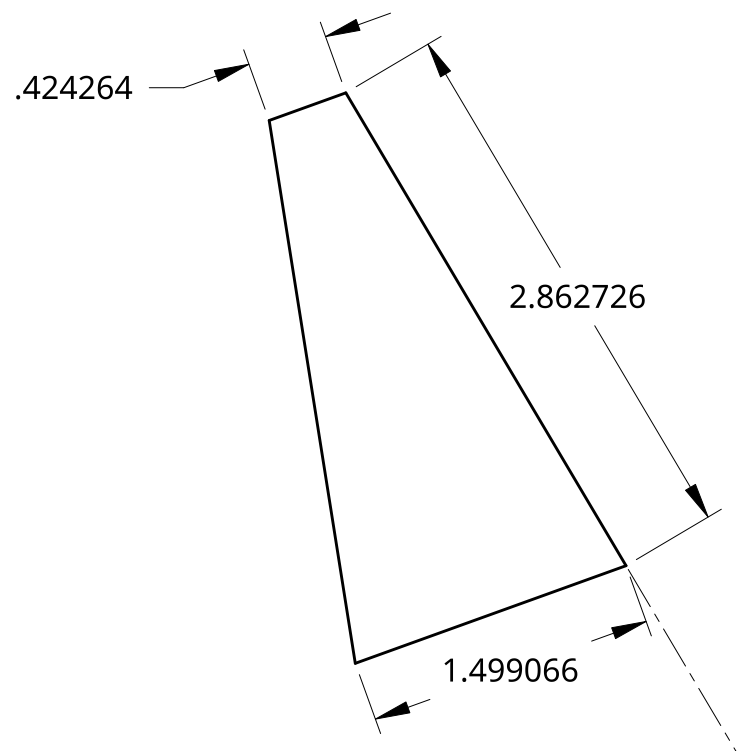
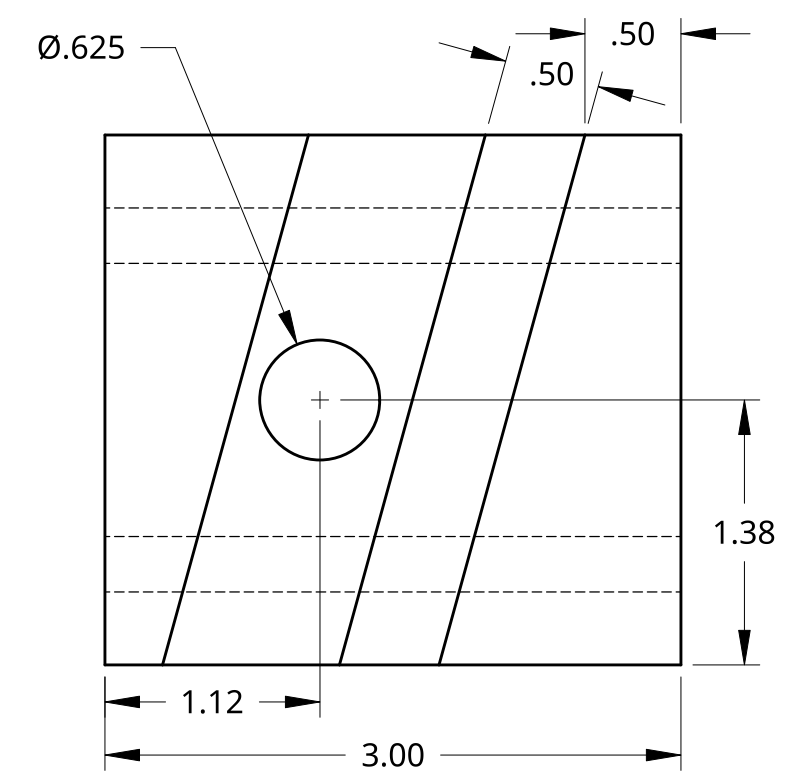
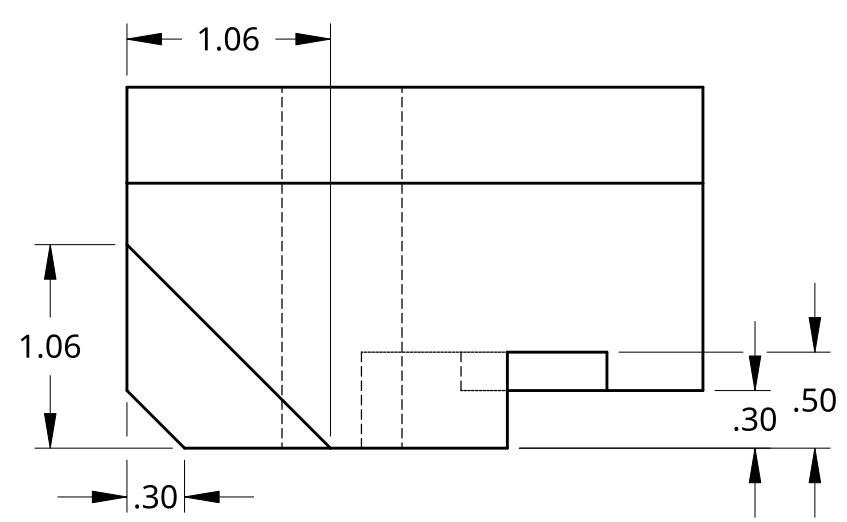
C




B

B

A

A



| | | | | |
|--|--|-----------|------------|---|
| UNLESS OTHERWISE SPECIFIED, DIMENSIONS ARE IN INCHES .XX = ±.0- .XXX = ±.00- .XXXX = ±.000- SURFACE FINISH <input checked="" type="checkbox"/> | | NAME | DATE |   |
| ANGULAR = ±° FRACTIONAL = ± | | BRODY DAI | 11/04/2025 | |
| DO NOT SCALE DRAWING | | DRAWN | | TITLE DOVETAIL GUIDE |
| BREAK ALL SHARP EDGES AND REMOVE BURRS | | CHECKED | | |
| THIRD ANGLE PROJECTION | | APPROVED | | |
|  | | MATERIAL | FINISH | SIZE C SCALE 1:1 |
| | | | | DWG NO. WEIGHT SHEET 1 of 1 |

4

3

2

1