

4

3

2

1

D

D

C

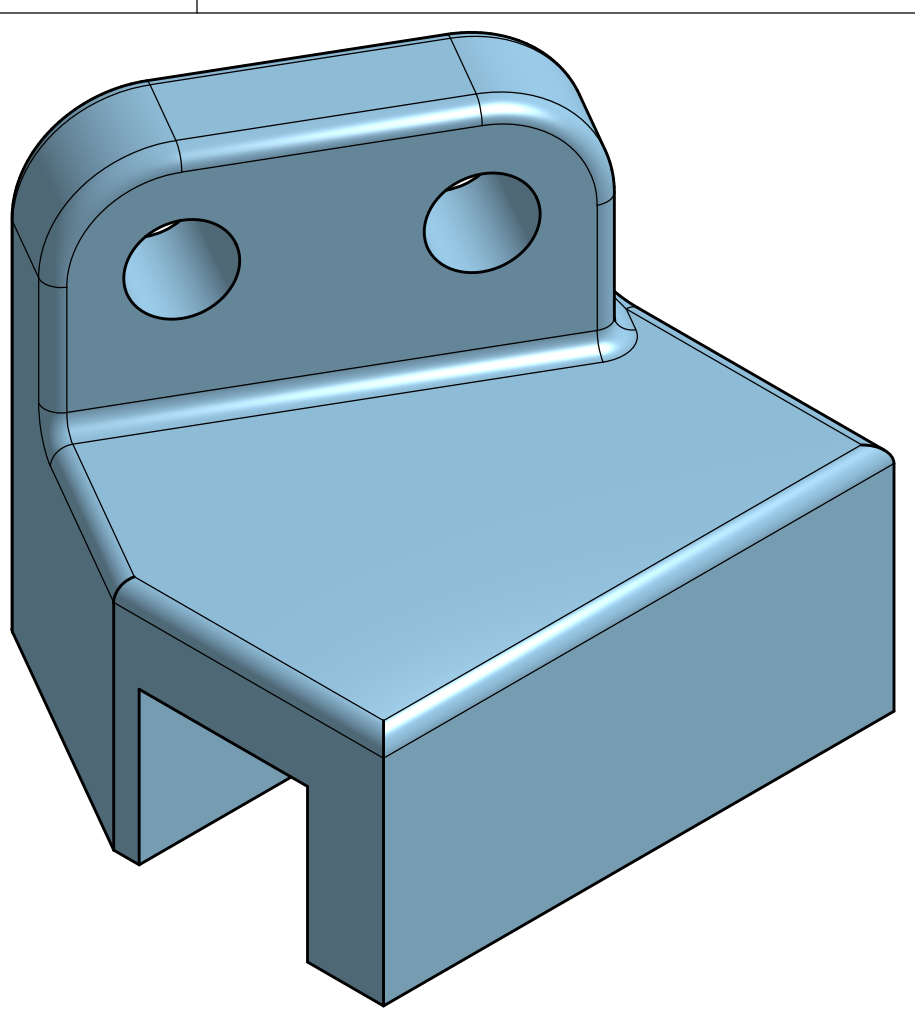
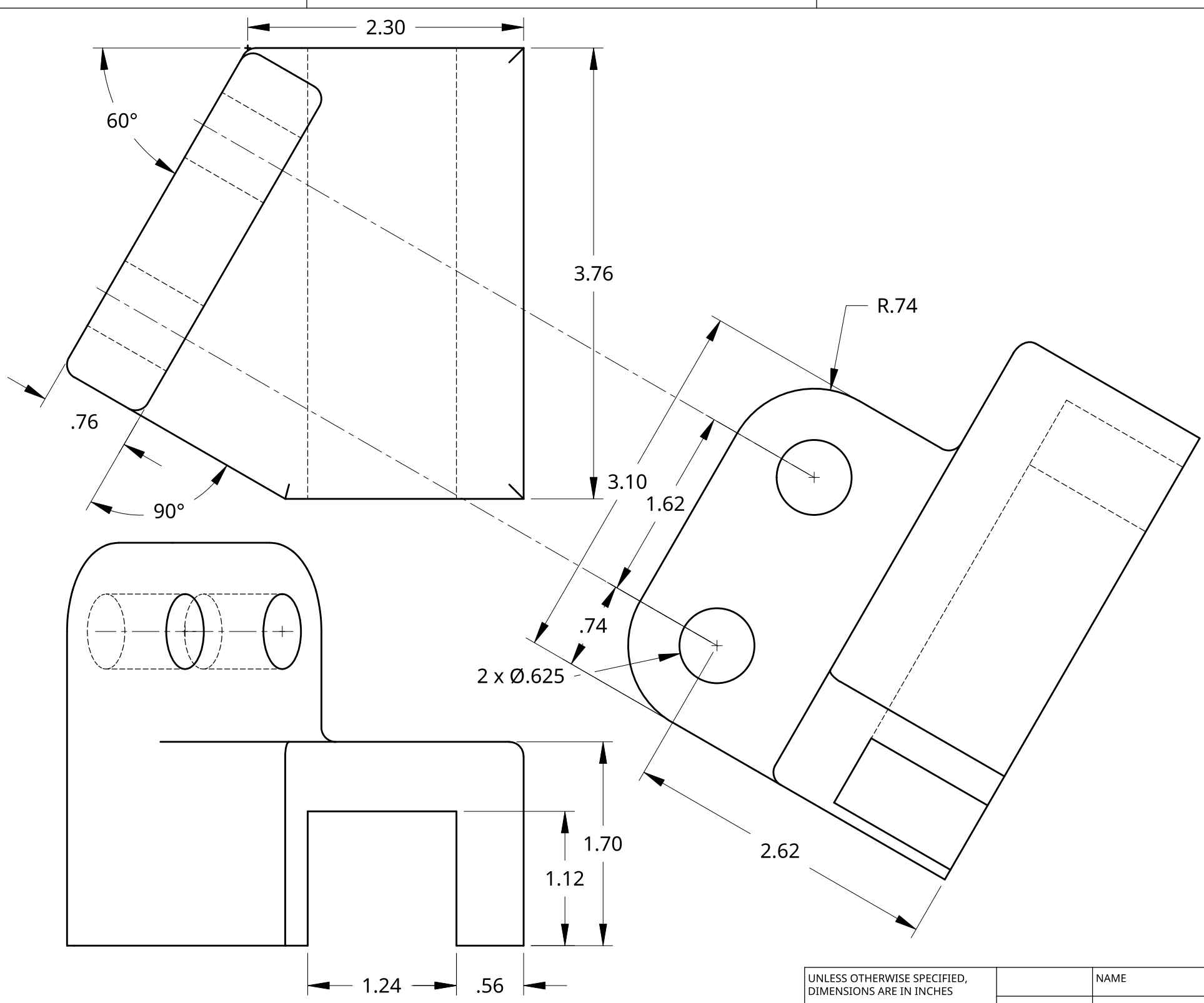
C

B

B

A

A



FILLETS AND ROUNDS R.12

UNLESS OTHERWISE SPECIFIED,  
DIMENSIONS ARE IN INCHES  
.XX = ±.0-  
.XXX = ±.00-  
.XXXX = ±.000-  
ANGULAR = ± °  
FRACTIONAL = ±

SURFACE FINISH

DO NOT SCALE DRAWING

BREAK ALL SHARP EDGES AND REMOVE BURRS

THIRD ANGLE PROJECTION

	NAME	DATE
DRAWN	BRODY DAI	10/31/2025
CHECKED		
APPROVED		
MATERIAL	FINISH	

TITLE <b>DRILL PRESS BRACKET</b>			
SIZE <b>B</b>	DWG NO.	REV.	
SCALE <b>1:1</b>	WEIGHT	SHEET <b>1 of 1</b>	

4

3

2

1