

4

3

2

1

D

D

C

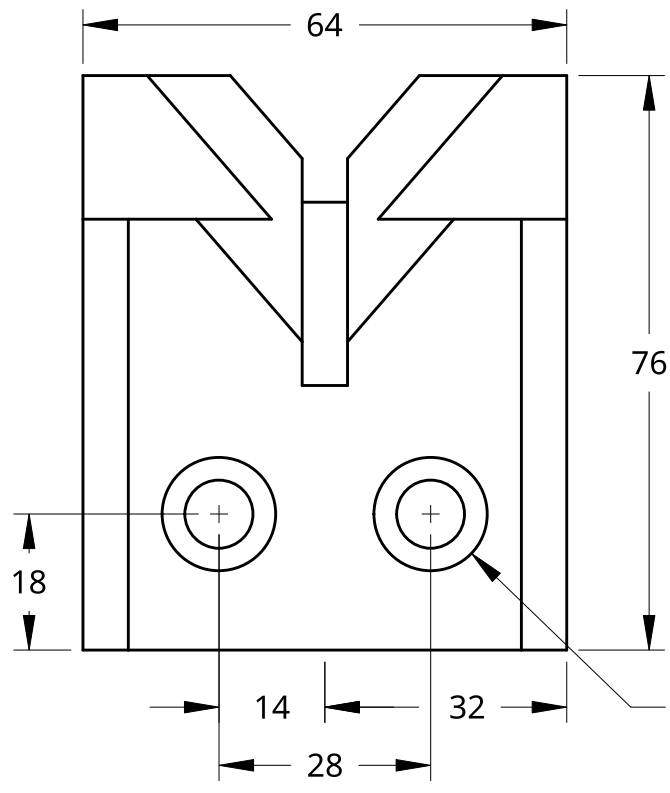
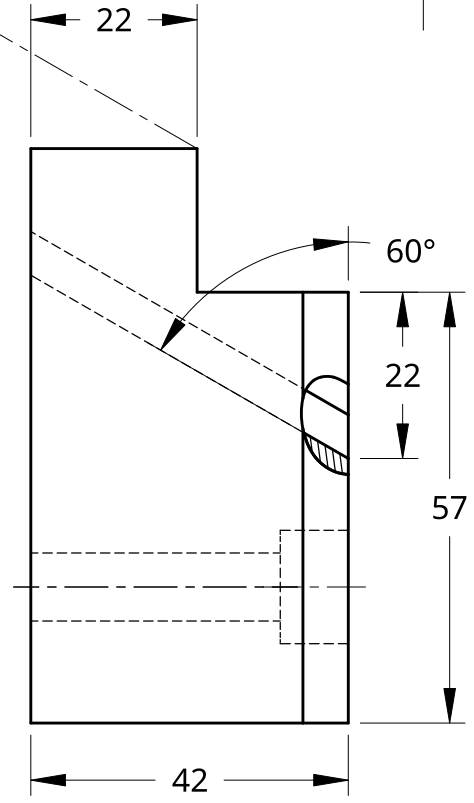
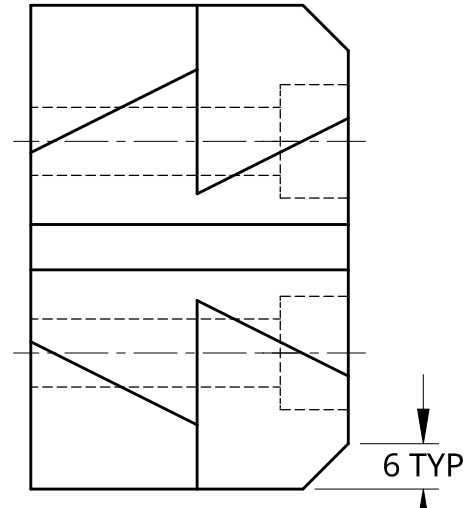
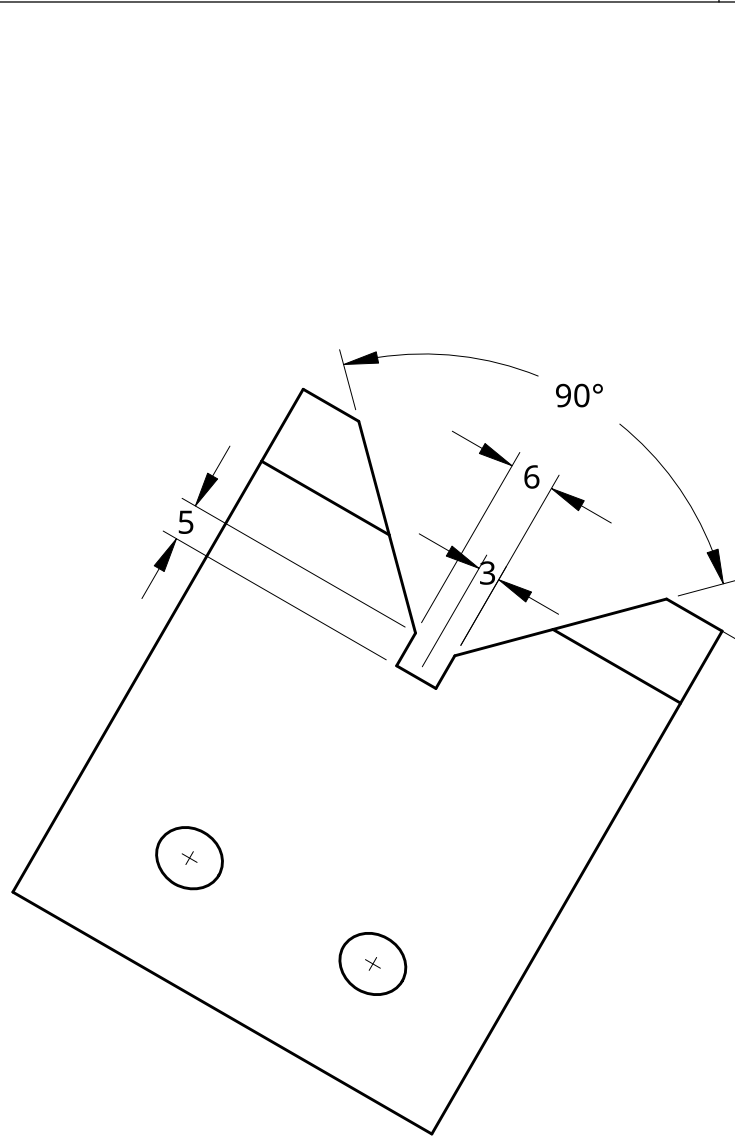
C

B

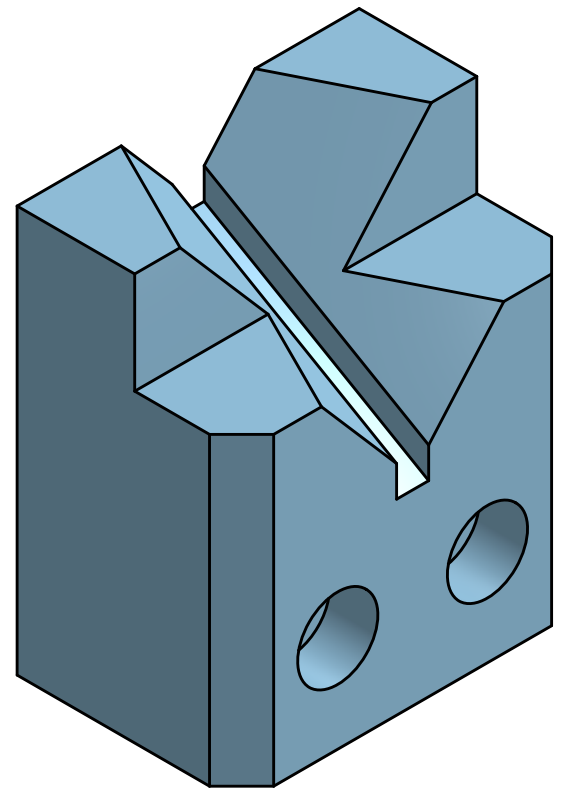
B

A

A



2 x Ø9 THRU
 □Ø15 ∇9



UNLESS OTHERWISE SPECIFIED,
 DIMENSIONS ARE IN INCHES
 .XX = ±.0-
 .XXX = ±.00-
 .XXXX = ±.000-
 SURFACE FINISH

ANGULAR = ± °
 FRACTIONAL = ±

DO NOT SCALE DRAWING
 BREAK ALL SHARP EDGES AND
 REMOVE BURRS
 THIRD ANGLE PROJECTION

	NAME	DATE
DRAWN	BRODY DAI	10/31/2025
CHECKED		
APPROVED		
	MATERIAL	FINISH

TITLE			
GUIDE BLOCK			
SIZE	DWG NO.	REV.	
B			
SCALE	WEIGHT	SHEET	
1:1		1 of 1	

4

3

2

1