

4

3

2

1

D

D

C

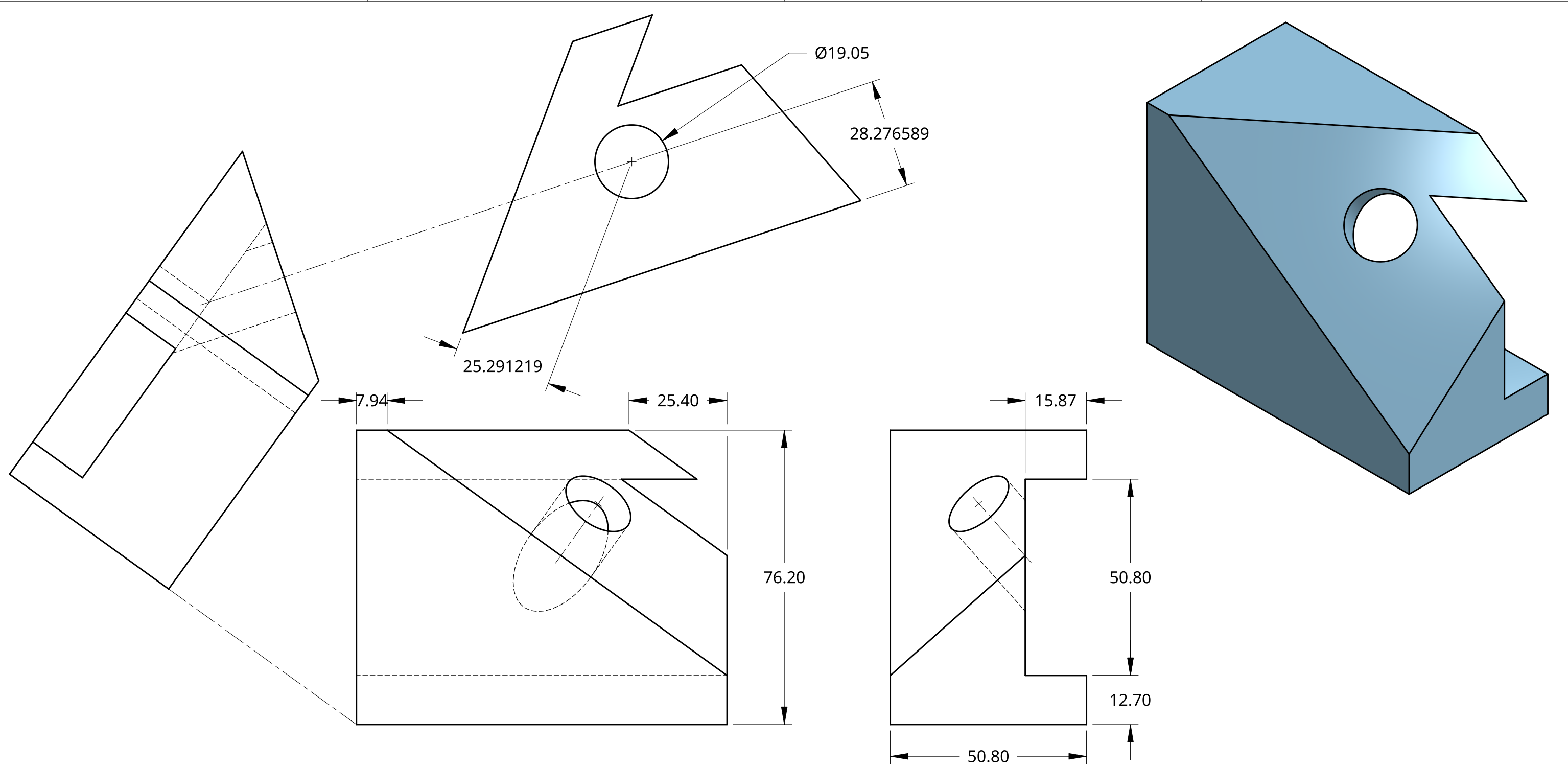
C

B

B

A

A



UNLESS OTHERWISE SPECIFIED,
DIMENSIONS ARE IN INCHES

.XX = ±.0-
.XXX = ±.00-
.XXXX = ±.000-

ANGULAR = ± °
FRACTIONAL = ±

SURFACE FINISH

DO NOT SCALE DRAWING

BREAK ALL SHARP EDGES AND
REMOVE BURRS

THIRD ANGLE PROJECTION

	NAME	DATE
DRAWN	BRODY DAI	11/03/2025
CHECKED		
APPROVED		
MATERIAL	FINISH	

 CHELSEA-DEXTER-LINCOLN-MANCHESTER-MILAN-SALINE			
TITLE HOLDER BLOCK			
SIZE B	DWG NO.	REV.	
SCALE 1:1	WEIGHT	SHEET 1 of 1	

4

3

2

1