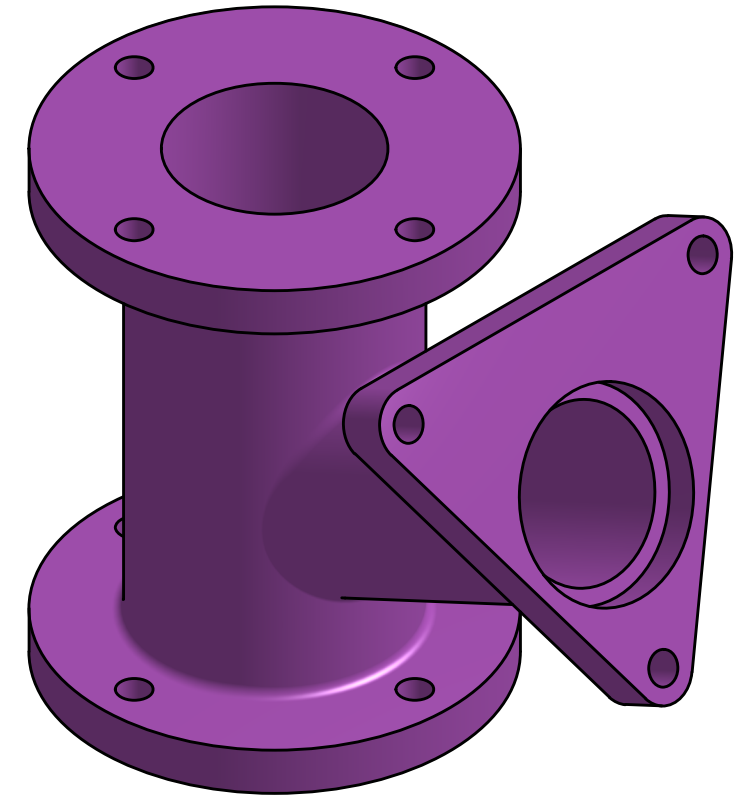
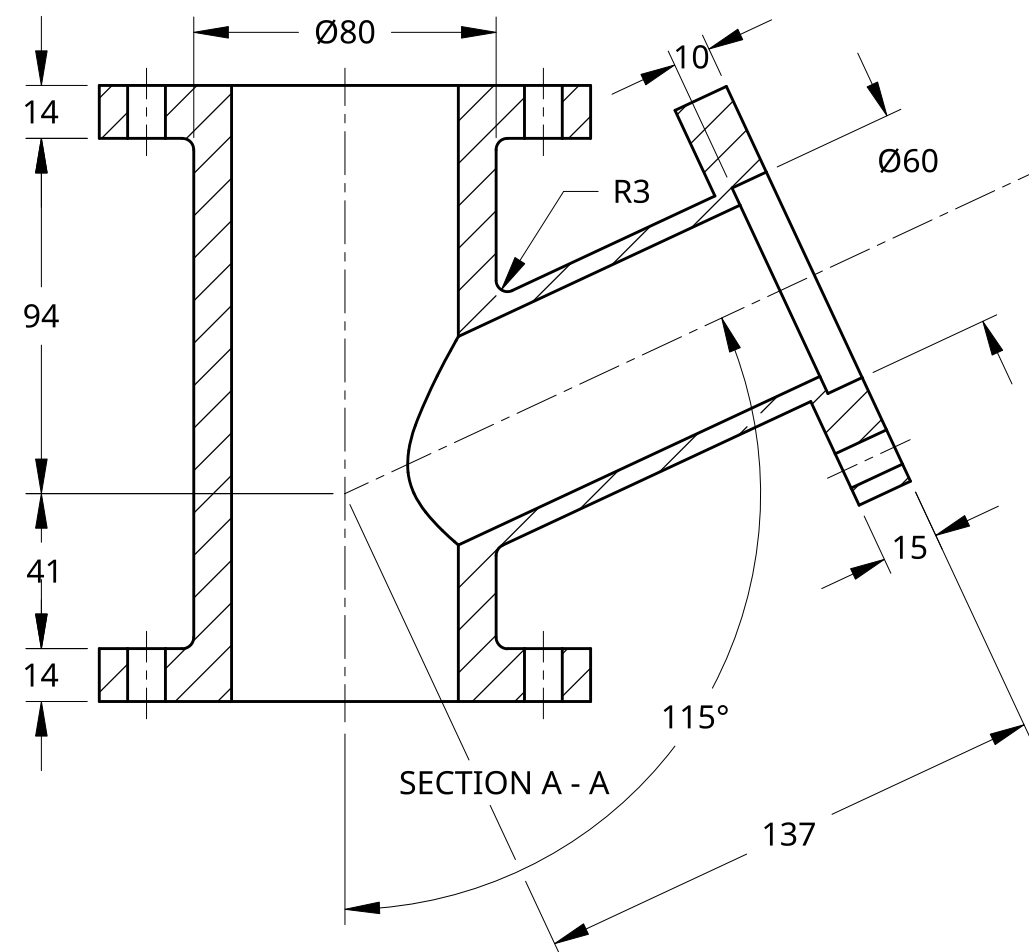
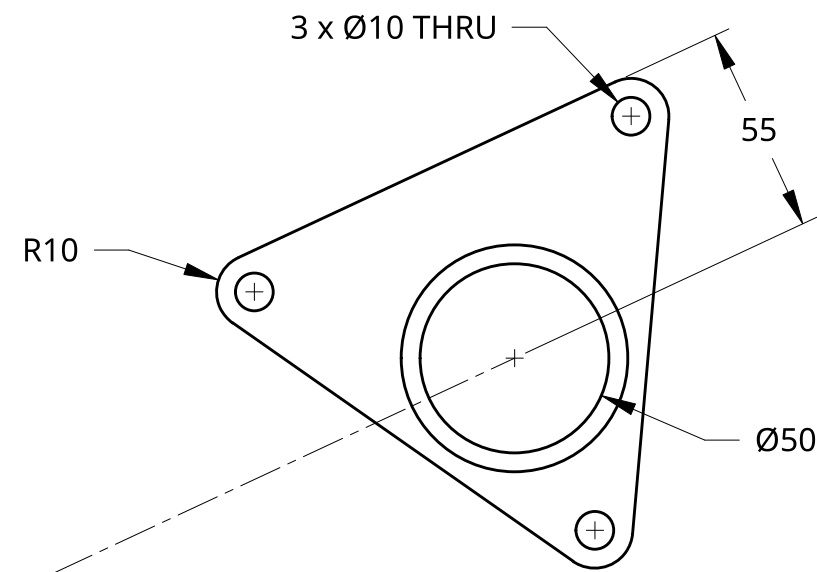
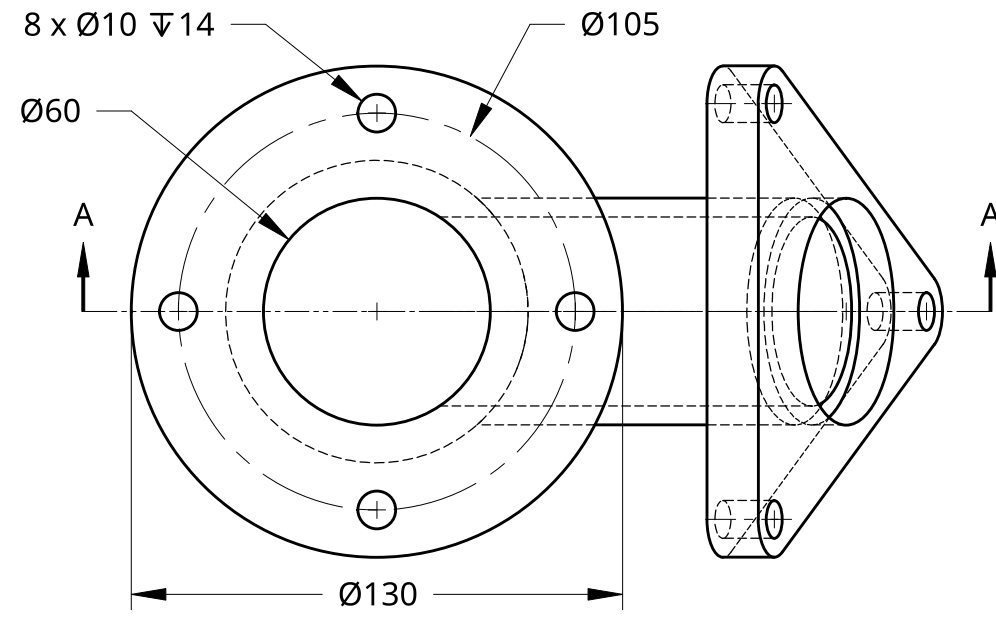


4

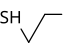
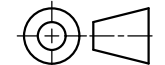
3

2




1



FILLETS AND ROUNDS R3

UNLESS OTHERWISE SPECIFIED,
 DIMENSIONS ARE IN INCHES
 .XX = ±.0-
 .XXX = ±.00-
 .XXXX = ±.000-
 SURFACE FINISH 
 DO NOT SCALE DRAWING
 BREAK ALL SHARP EDGES AND
 REMOVE BURRS
 THIRD ANGLE PROJECTION


	NAME	DATE
DRAWN	BRODY DAI	10/23/2025
CHECKED		
APPROVED		
	MATERIAL	FINISH

 	
	
TITLE	
PURPLE PIPE	
SIZE	DWG NO.
B	
SCALE	WEIGHT
1:2	
SHEET	REV.
1 of 1	

4

3

2

1

D

D

C

C

B

B

A

A