

4

3

2

1

D

D

C

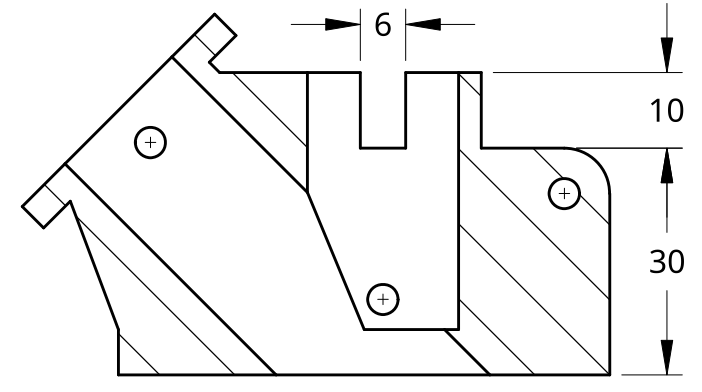
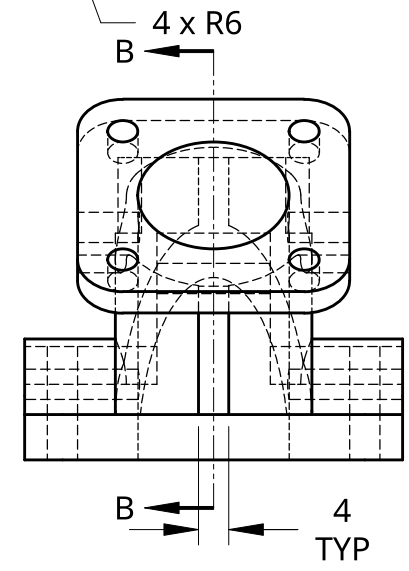
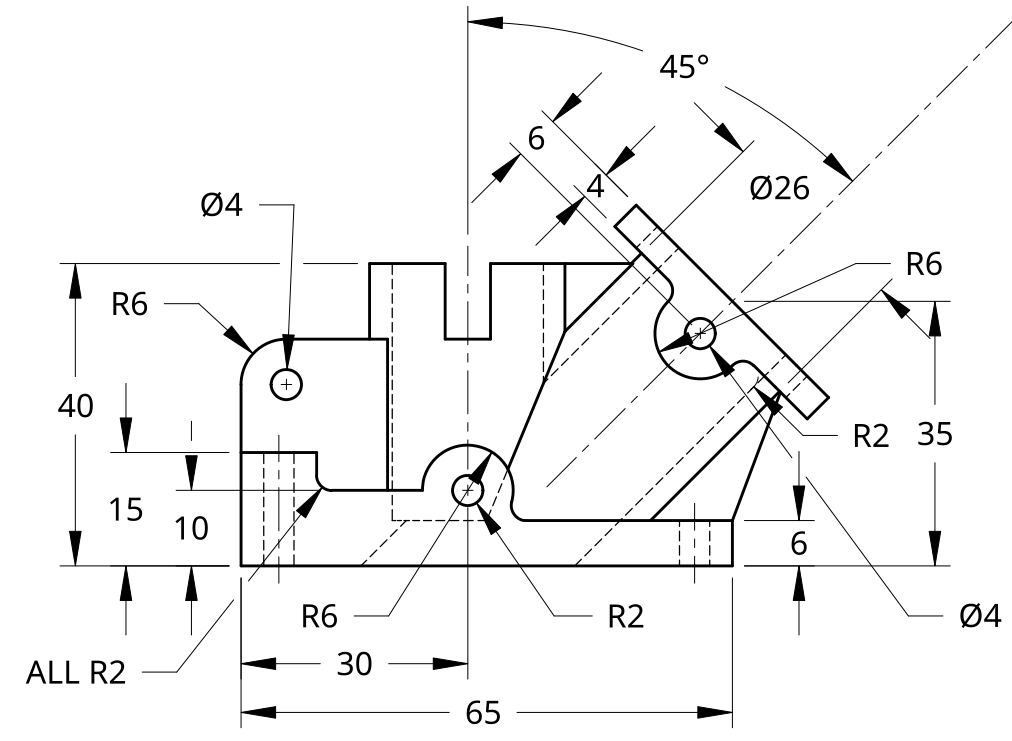
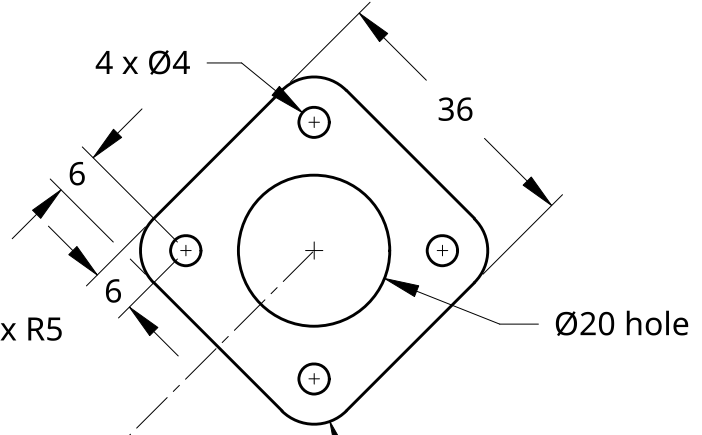
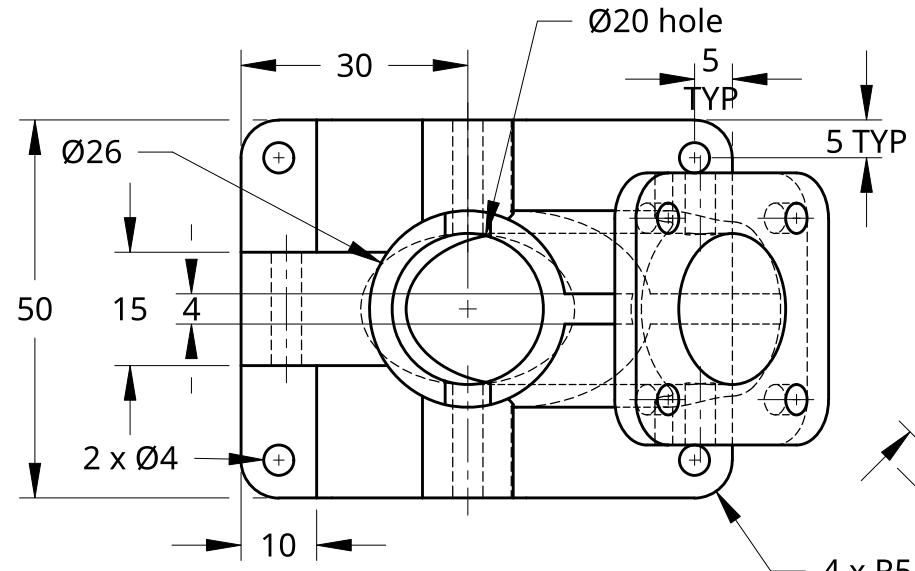
C

B

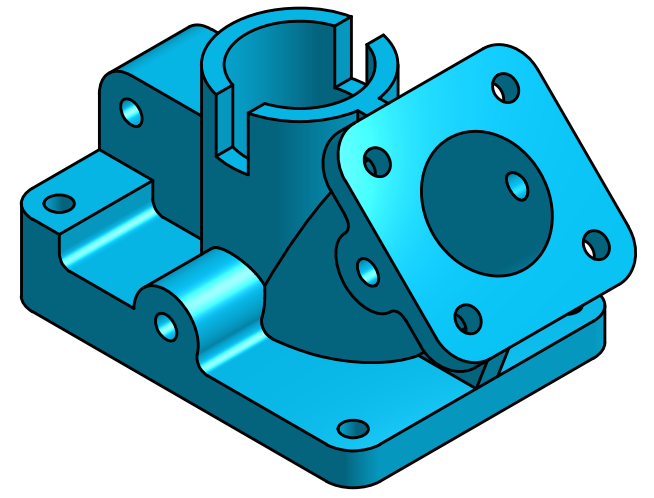
B


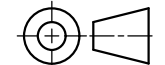
A

A






SECTION B - B



UNLESS OTHERWISE SPECIFIED,
DIMENSIONS ARE IN INCHES
.XX = ±.0-
.XXX = ±.00-
.XXXX = ±.000-
SURFACE FINISH 
DO NOT SCALE DRAWING
BREAK ALL SHARP EDGES AND
REMOVE BURRS
THIRD ANGLE PROJECTION


	NAME	DATE
DRAWN	BRODY DAI	10/24/2025
CHECKED		
APPROVED		
	MATERIAL	FINISH

 	
	
TITLE	
SQUARE ROOT	
SIZE	DWG NO.
B	
SCALE	WEIGHT
1:1	
SHEET	REV.
1 of 1	

4

3

2

1