

4

3

2

1

D

D

C

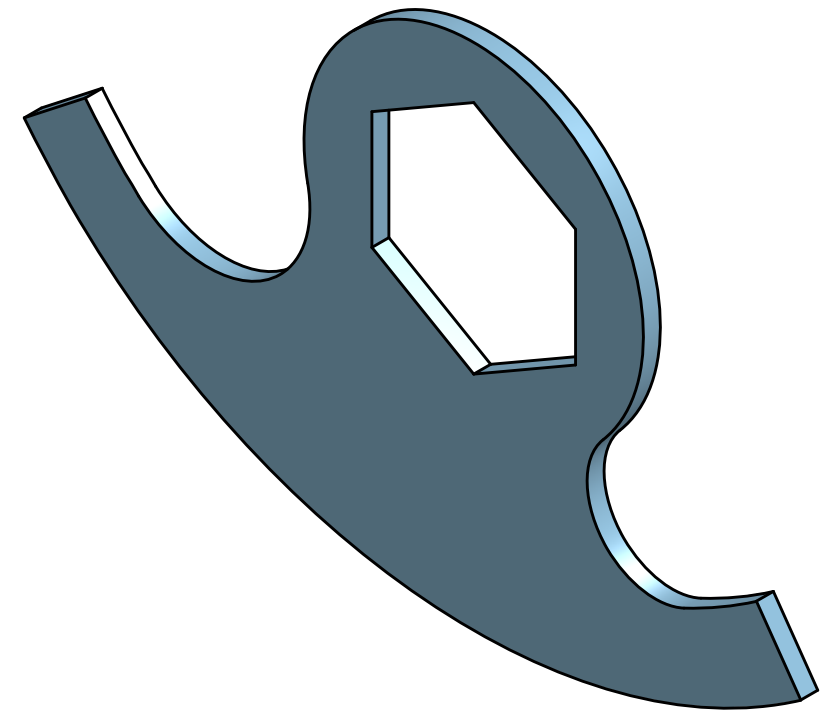
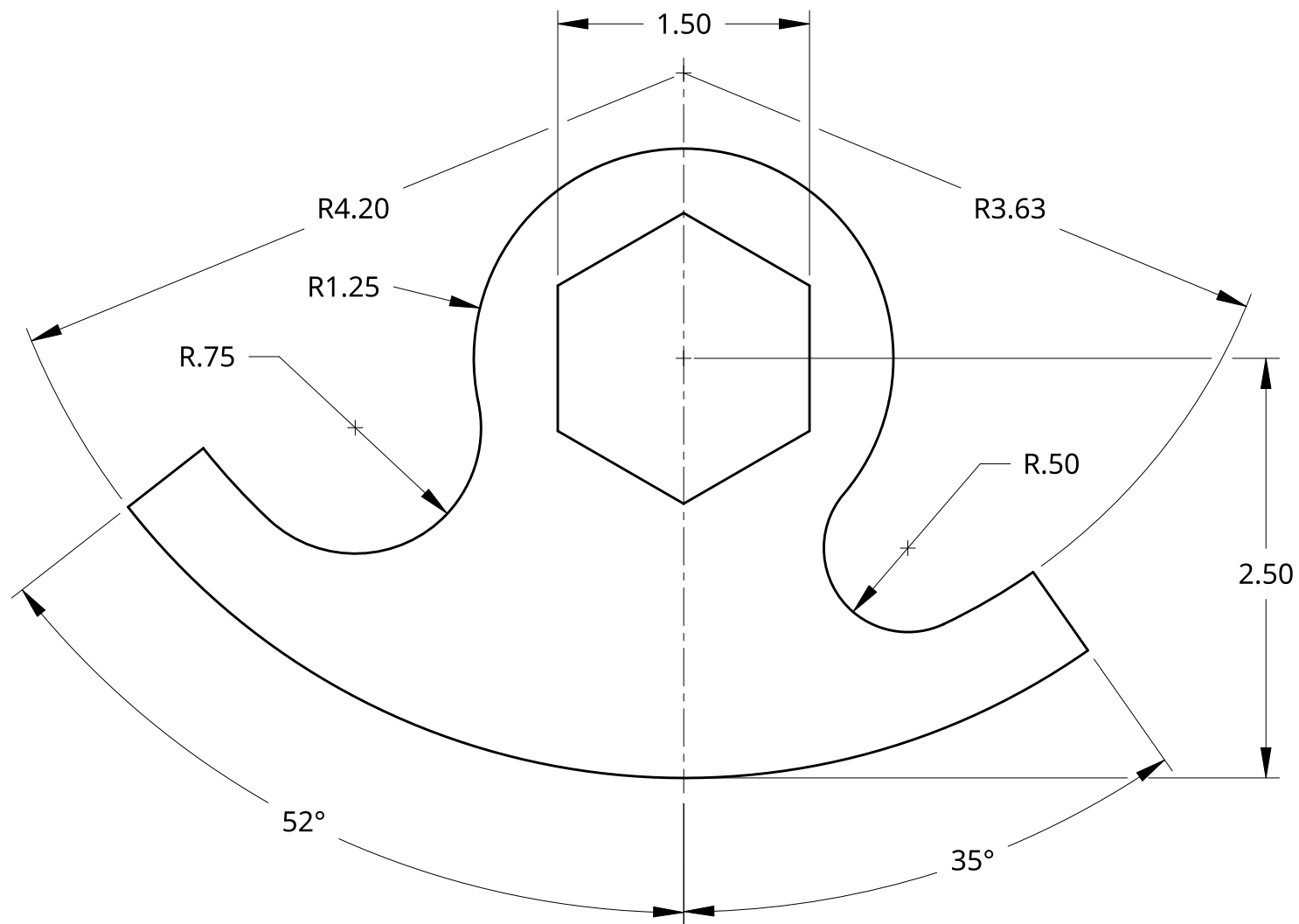
C

B

B

A

A



UNLESS OTHERWISE SPECIFIED,
DIMENSIONS ARE IN INCHES
.XX = ±.0-
.XXX = ±.00-
.XXXX = ±.000-
ANGULAR = ± °
FRACTIONAL = ±

SURFACE FINISH

DO NOT SCALE DRAWING

BREAK ALL SHARP EDGES AND
REMOVE BURRS

THIRD ANGLE PROJECTION

	NAME	DATE
DRAWN	BRODY DAI	05/19/2026
CHECKED		
APPROVED		
MATERIAL	FINISH	

<p>SWWC Career & Technical Education CHELSEA · DEXTER · LINCOLN · MANCHESTER · MILAN · SALINE</p>			
TITLE POLY HOOK			
SIZE B	DWG NO.	REV.	
SCALE 1:1	WEIGHT	SHEET 1 of 1	

4

3

2

1