

4

3

2

1

D

D

C

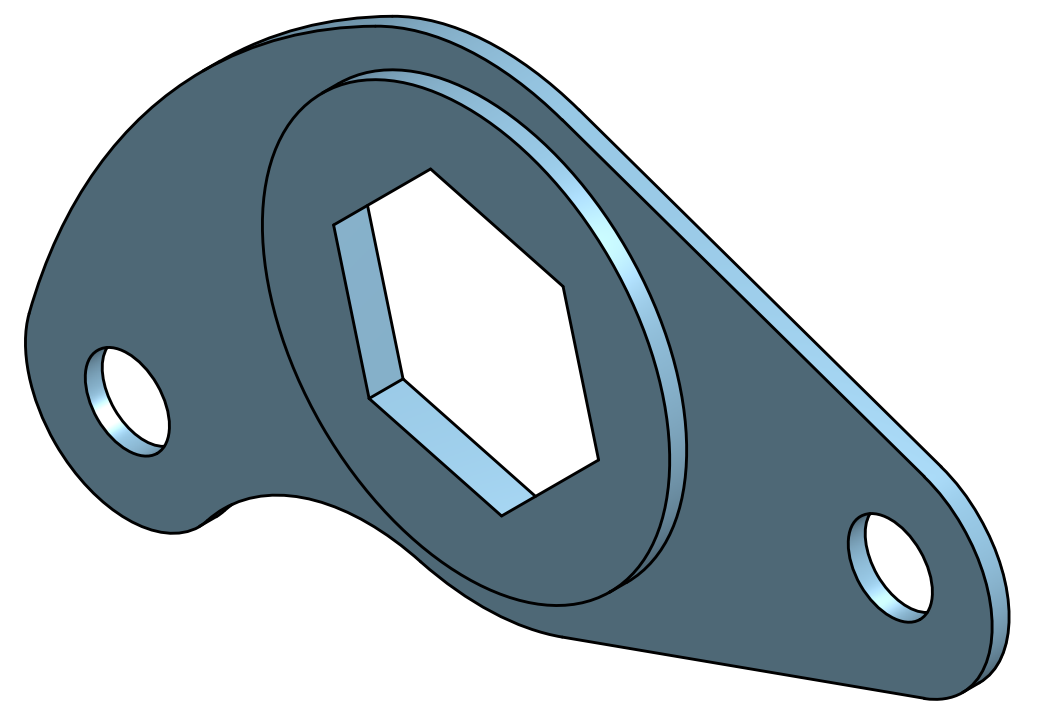
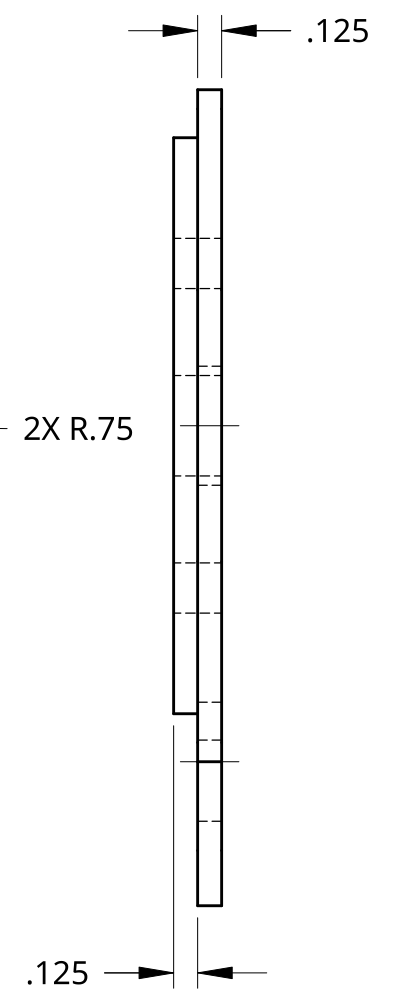
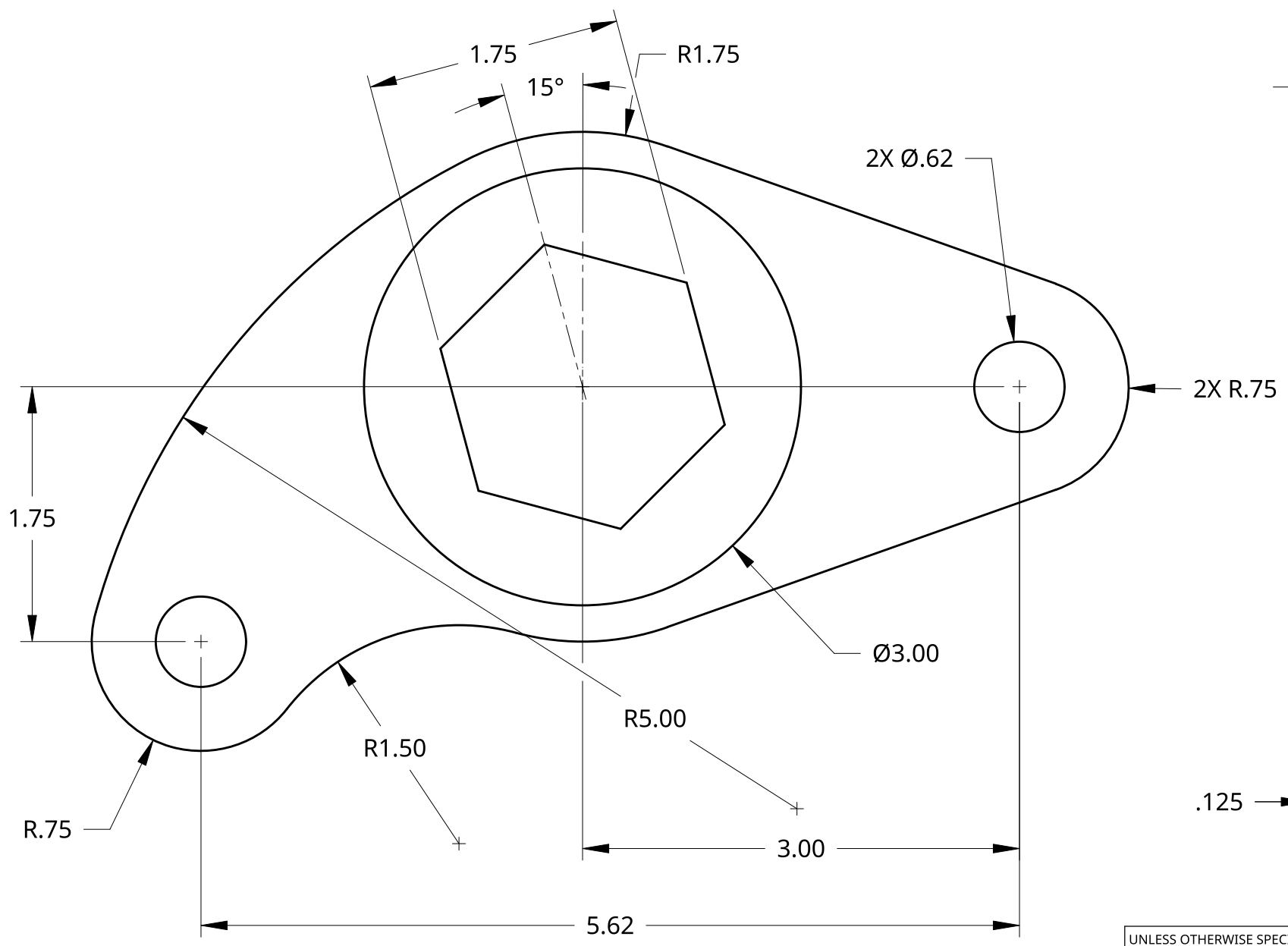
C

B

B

A

A



UNLESS OTHERWISE SPECIFIED,  
DIMENSIONS ARE IN INCHES

.XX = ±.0-  
.XXX = ±.00-  
.XXXX = ±.000-

ANGULAR = ± °  
FRACTIONAL = ±

SURFACE FINISH

DO NOT SCALE DRAWING

BREAK ALL SHARP EDGES AND  
REMOVE BURRS

THIRD ANGLE PROJECTION

|          | NAME      | DATE       |
|----------|-----------|------------|
| DRAWN    | BRODY DAI | 05/19/2026 |
| CHECKED  |           |            |
| APPROVED |           |            |
| MATERIAL | FINISH    |            |

|                            |         |                 |  |
|----------------------------|---------|-----------------|--|
|                            |         |                 |  |
|                            |         |                 |  |
| TITLE<br><b>ROCKER ARM</b> |         |                 |  |
| SIZE<br><b>B</b>           | DWG NO. | REV.            |  |
| SCALE<br>1:1               | WEIGHT  | SHEET<br>1 of 1 |  |