

4

3

2

1

D

D

C

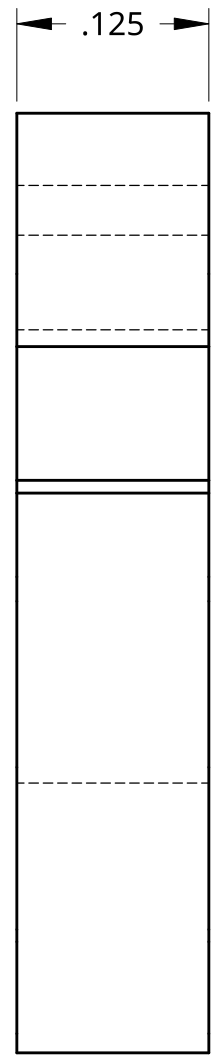
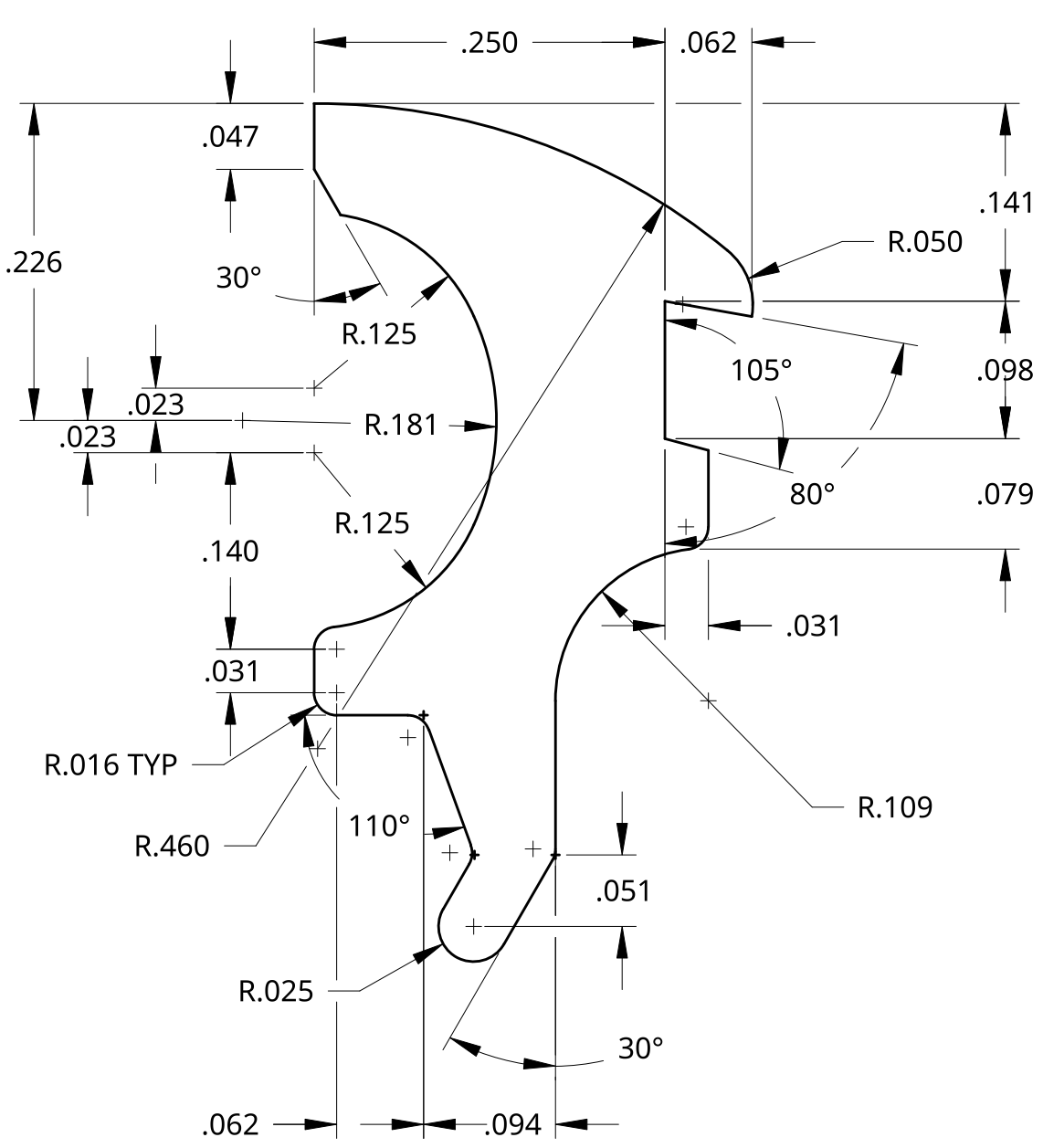
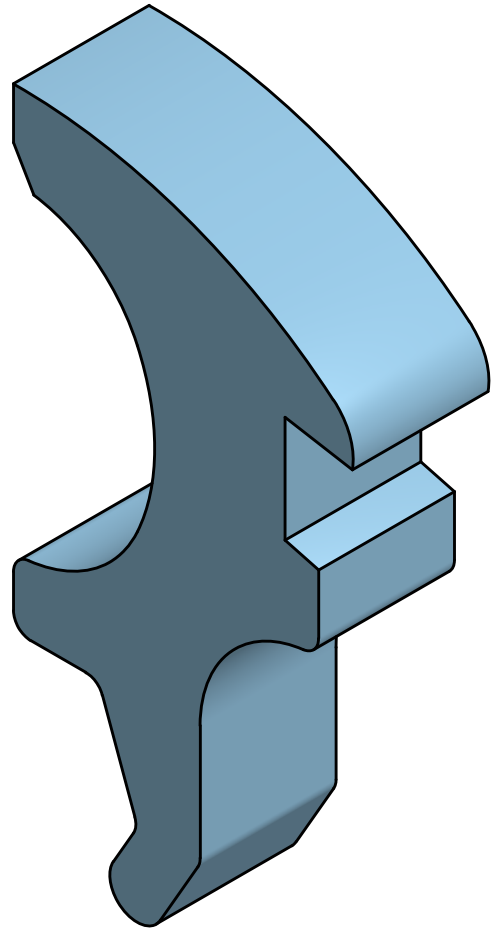
C

B

B

A

A



UNLESS OTHERWISE SPECIFIED, DIMENSIONS ARE IN INCHES .XX = ±.0-      ANGULAR = ±° .XXX = ±.00-    FRACTIONAL = ± .XXXX = ±.000- SURFACE FINISH	NAME	DATE		 Career & Technical Education CHELSEA-DEXTER-LINCOLN-MANCHESTER-MILAN-SALINE			
	DRAWN	BRODY DAI				05/23/2026	
	CHECKED			TITLE			
	APPROVED						
	DO NOT SCALE DRAWING			TRIGGER LOCK			
BREAK ALL SHARP EDGES AND REMOVE BURRS							
THIRD ANGLE PROJECTION	MATERIAL	FINISH	SIZE	DWG NO.	REV.		
			SCALE	8:1	WEIGHT	SHEET	1 of 1

4

3

2

1