

4

3

2

1

D

D

C

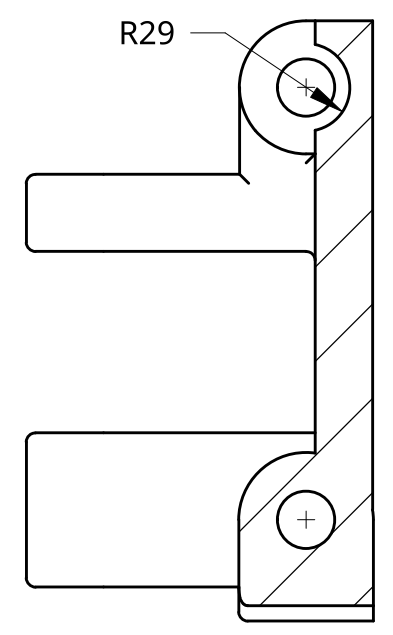
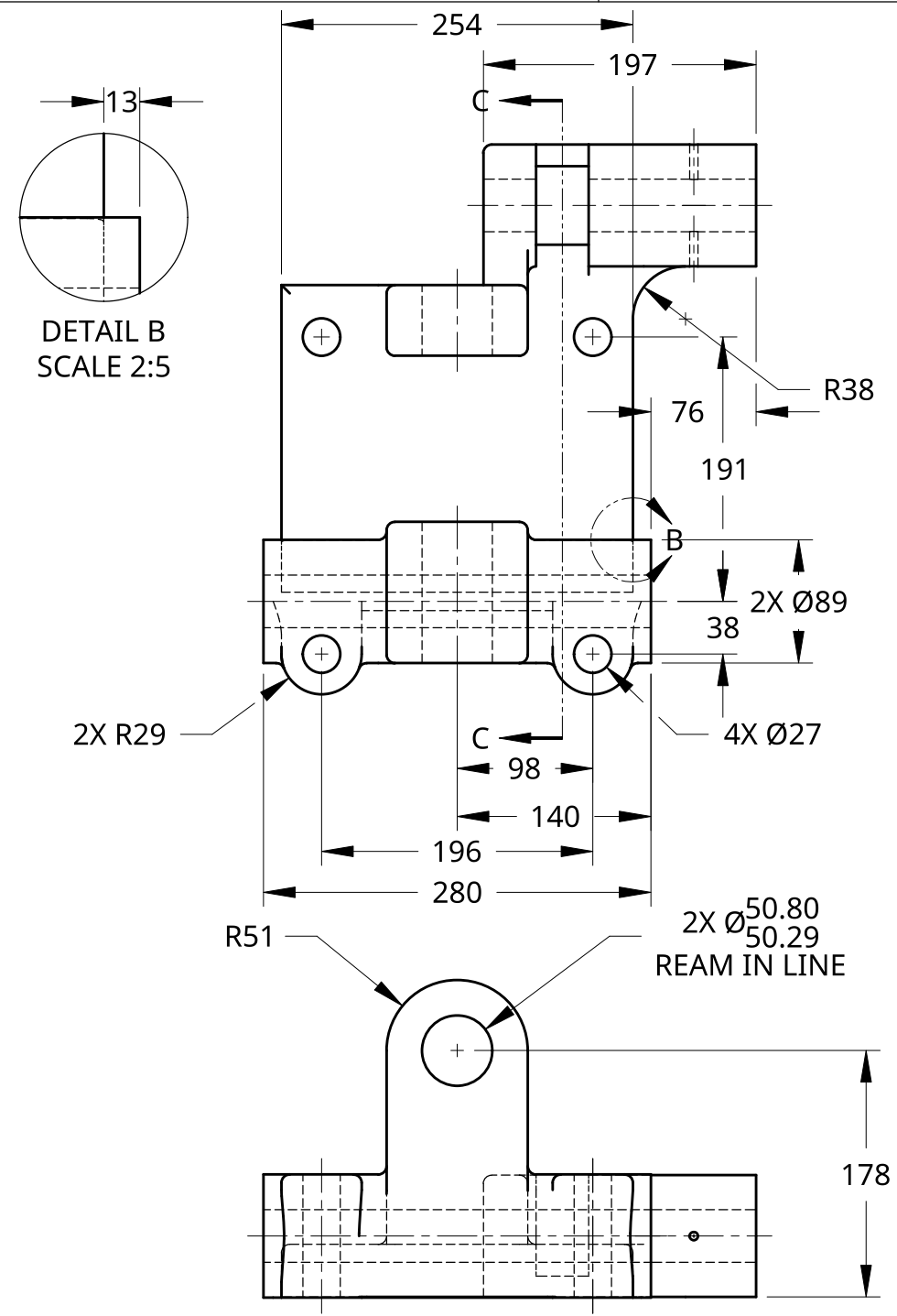
C

B

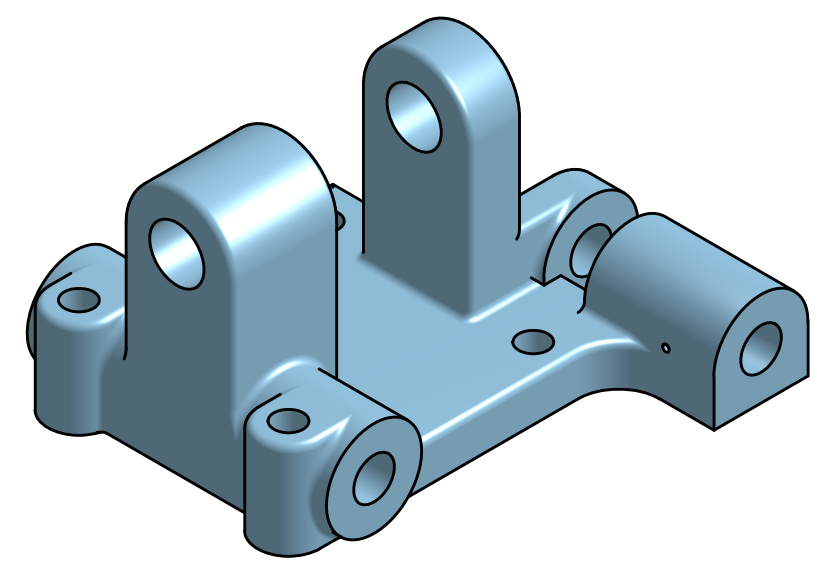
B

A

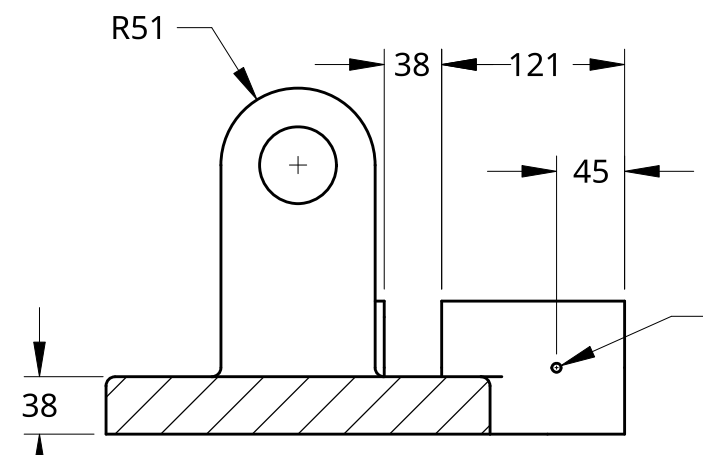
A



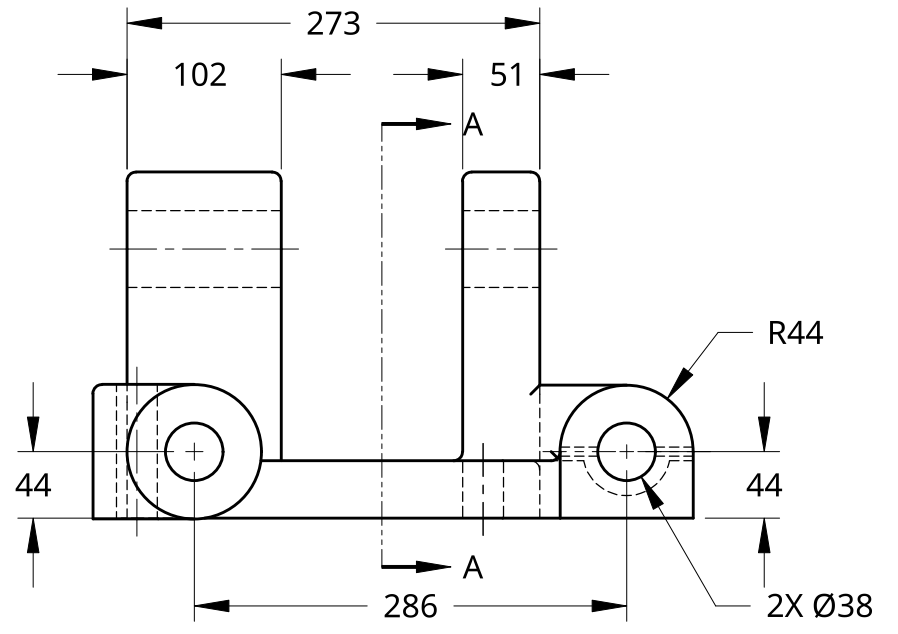
SECTION C - C



FILLETS AND ROUNDS R6
CI - 1 REQD



SECTION A - A



UNLESS OTHERWISE SPECIFIED,
DIMENSIONS ARE IN INCHES
.XX = ±.0-
.XXX = ±.00-
.XXXX = ±.000-
SURFACE FINISH $\sqrt{\hspace{1cm}}$
ANGULAR = ± °
FRACTIONAL = ±

DO NOT SCALE DRAWING
BREAK ALL SHARP EDGES AND
REMOVE BURRS
THIRD ANGLE PROJECTION

	NAME	DATE
DRAWN	BRODY DAI	12/22/2024
CHECKED		
APPROVED		
MATERIAL	FINISH	

TITLE		
AUTOMATIC STOP BASE		
SIZE	DWG NO.	REV.
B		
SCALE	WEIGHT	SHEET
1:5		1 of 1

4

3

2

1