

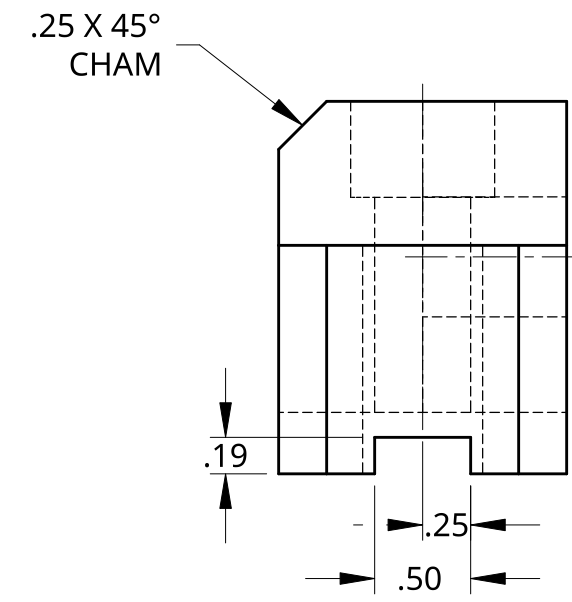
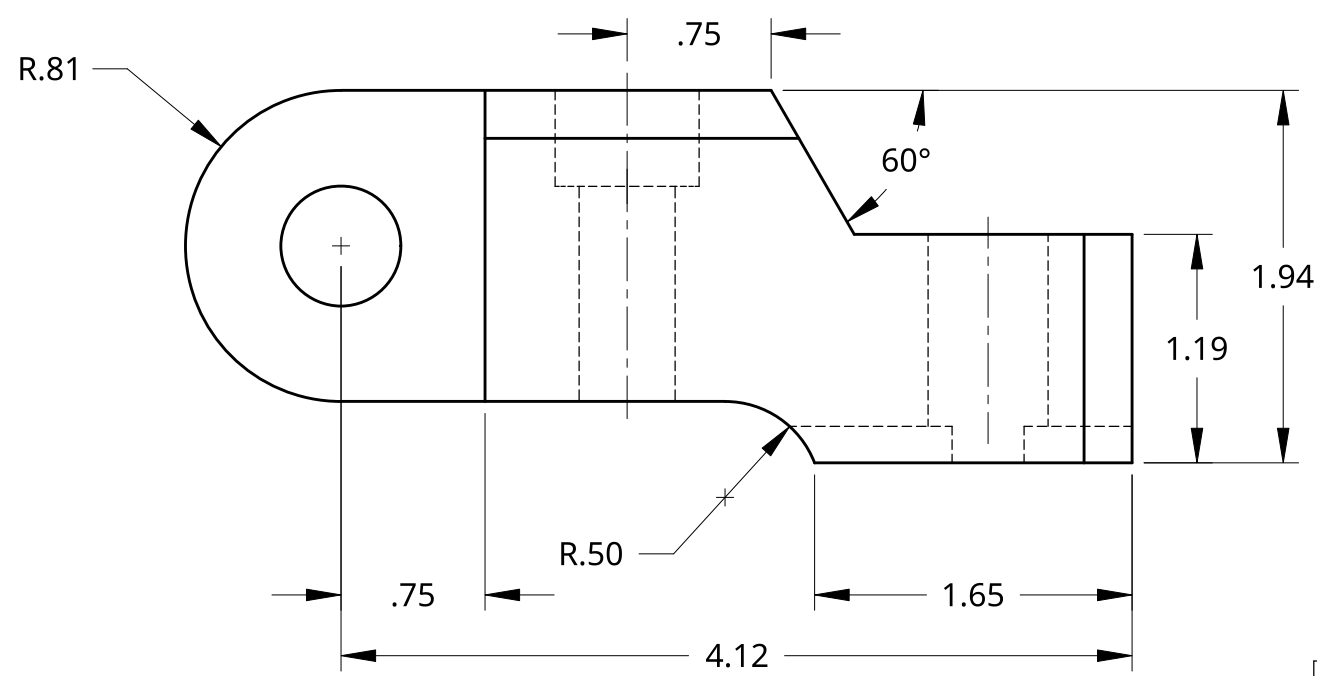
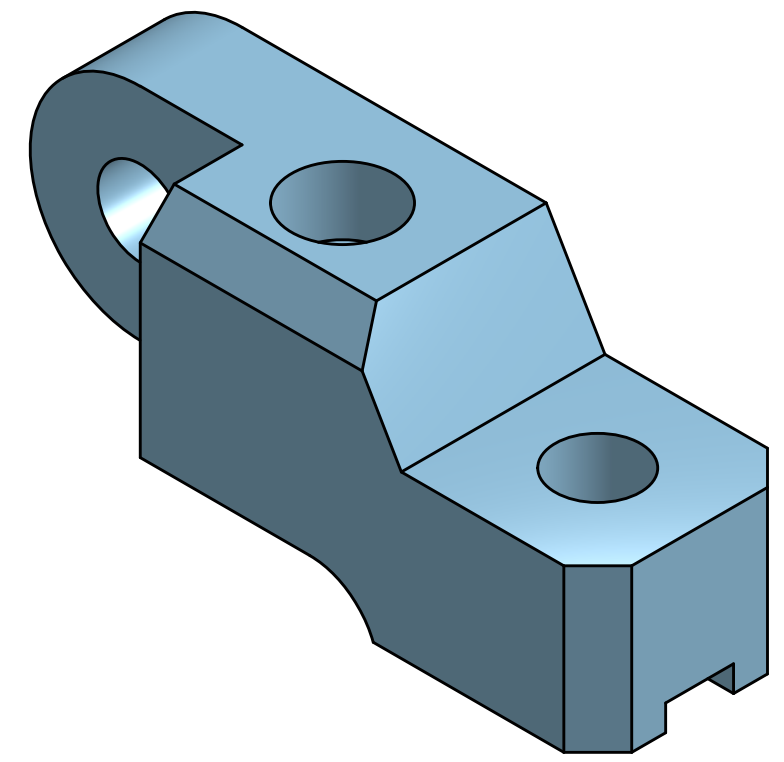
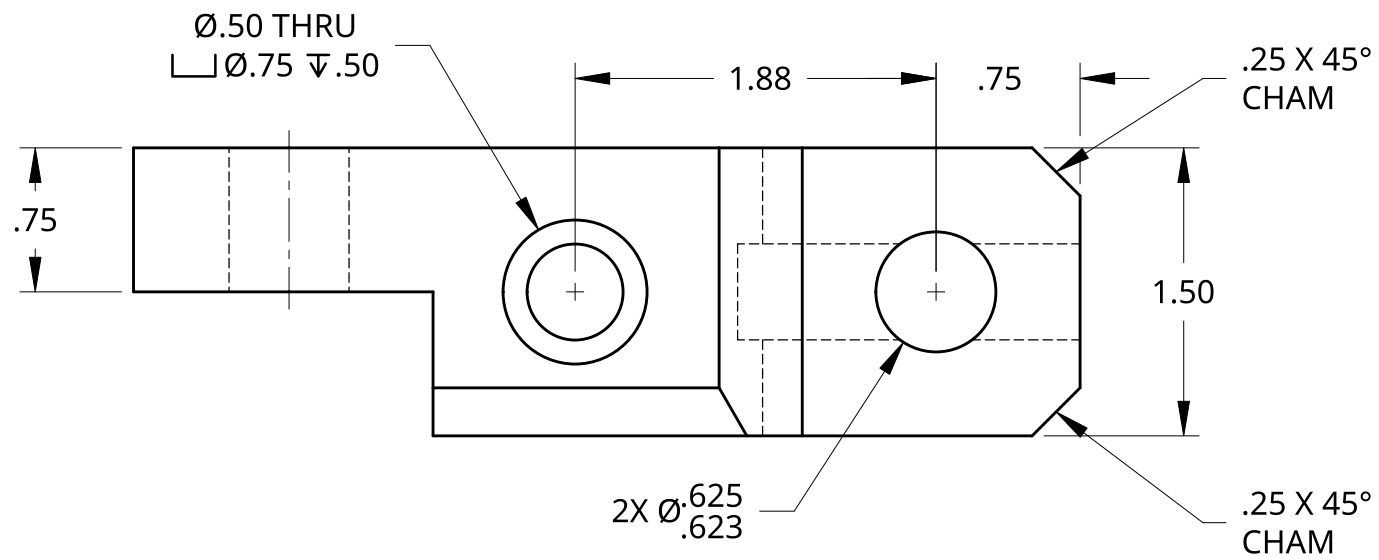
4 3 2 1

D

C

B

A



UNLESS OTHERWISE SPECIFIED,  
DIMENSIONS ARE IN INCHES  
.XX = ±.0-  
.XXX = ±.00-  
.XXXX = ±.000-  
ANGULAR = ± °  
FRACTIONAL = ±

SURFACE FINISH

DO NOT SCALE DRAWING

BREAK ALL SHARP EDGES AND REMOVE BURRS

THIRD ANGLE PROJECTION

|          | NAME      | DATE       |
|----------|-----------|------------|
| DRAWN    | BRODY DAI | 12/13/2024 |
| CHECKED  |           |            |
| APPROVED |           |            |
|          |           |            |
| MATERIAL | FINISH    |            |

|       |         |        |              |  |  |
|-------|---------|--------|--------------|--|--|
| TITLE |         |        | CHUCK ARM    |  |  |
| SIZE  | DWG NO. | REV.   |              |  |  |
| B     |         |        |              |  |  |
| SCALE | 1:1     | WEIGHT | SHEET 1 of 1 |  |  |

4 3 2 1

D

C

B

A