

4

3

2

1

D

D

C

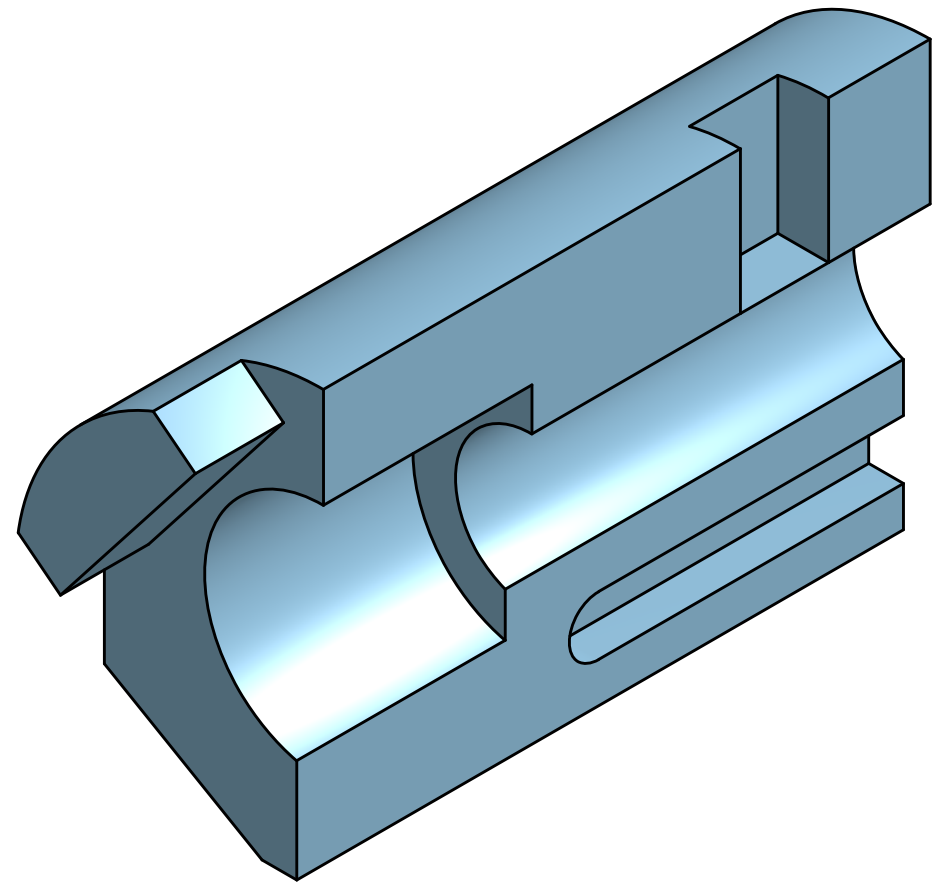
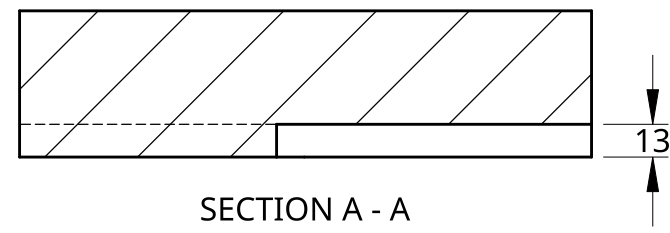
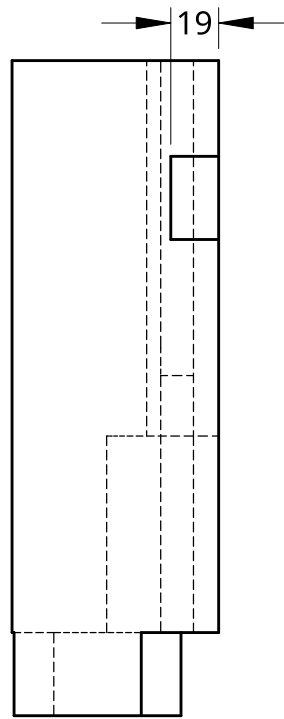
C

B

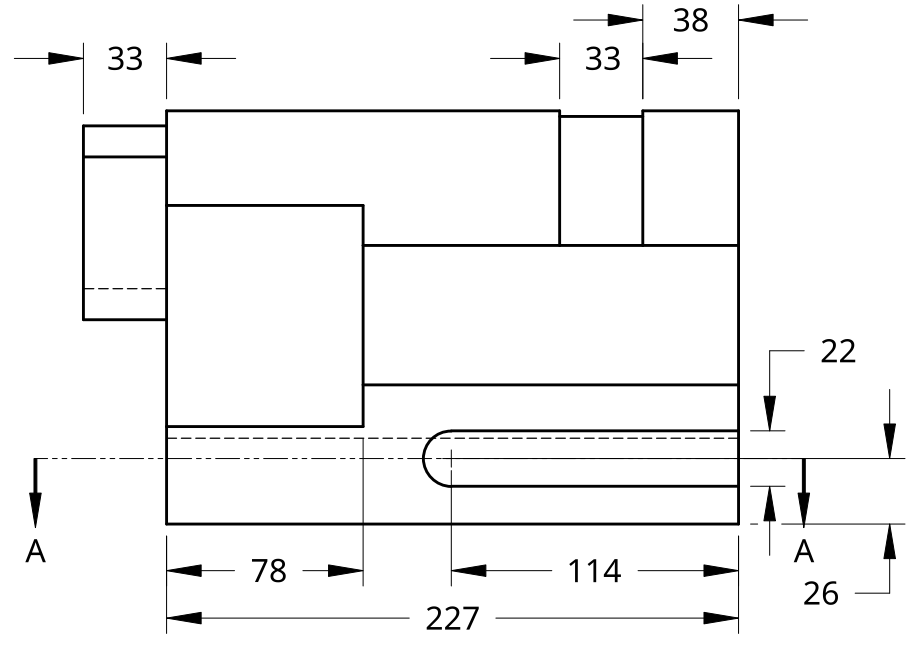
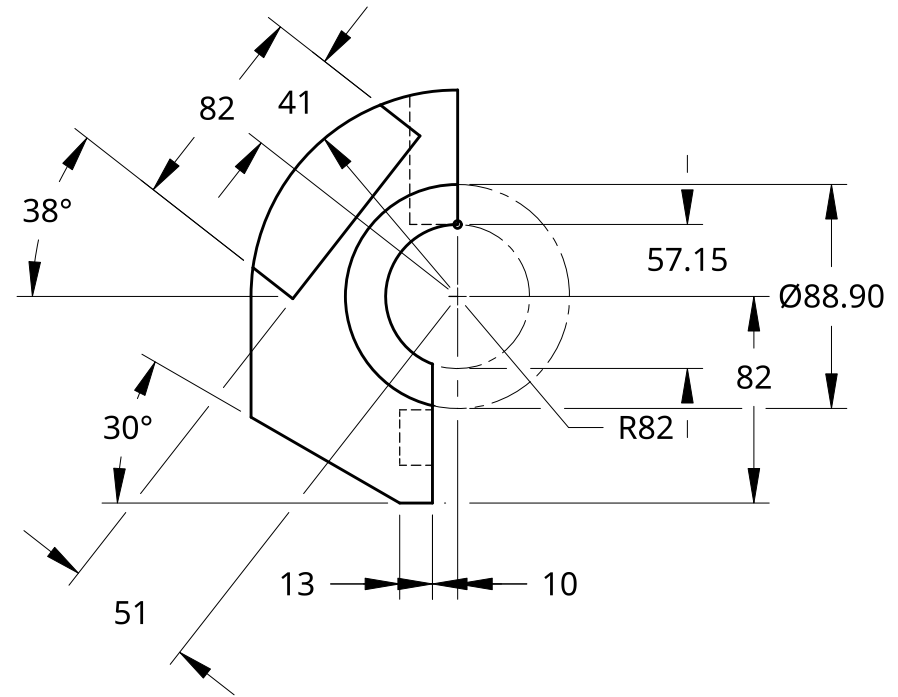
B

A

A



SCALE 1:2



UNLESS OTHERWISE SPECIFIED,  
DIMENSIONS ARE IN INCHES

.XX = ±.0-  
.XXX = ±.00-  
.XXXX = ±.000-

ANGULAR = ± °  
FRACTIONAL = ±

SURFACE FINISH

DO NOT SCALE DRAWING

BREAK ALL SHARP EDGES AND  
REMOVE BURRS

THIRD ANGLE PROJECTION

	NAME	DATE
DRAWN	BRODY DAI	12/09/2024
CHECKED		
APPROVED		
MATERIAL	FINISH	

TITLE			CONTROL BLOCK		
SIZE	DWG NO.	REV.			
SCALE	WEIGHT	SHEET	1 of 1		

4

3

2

1