

4

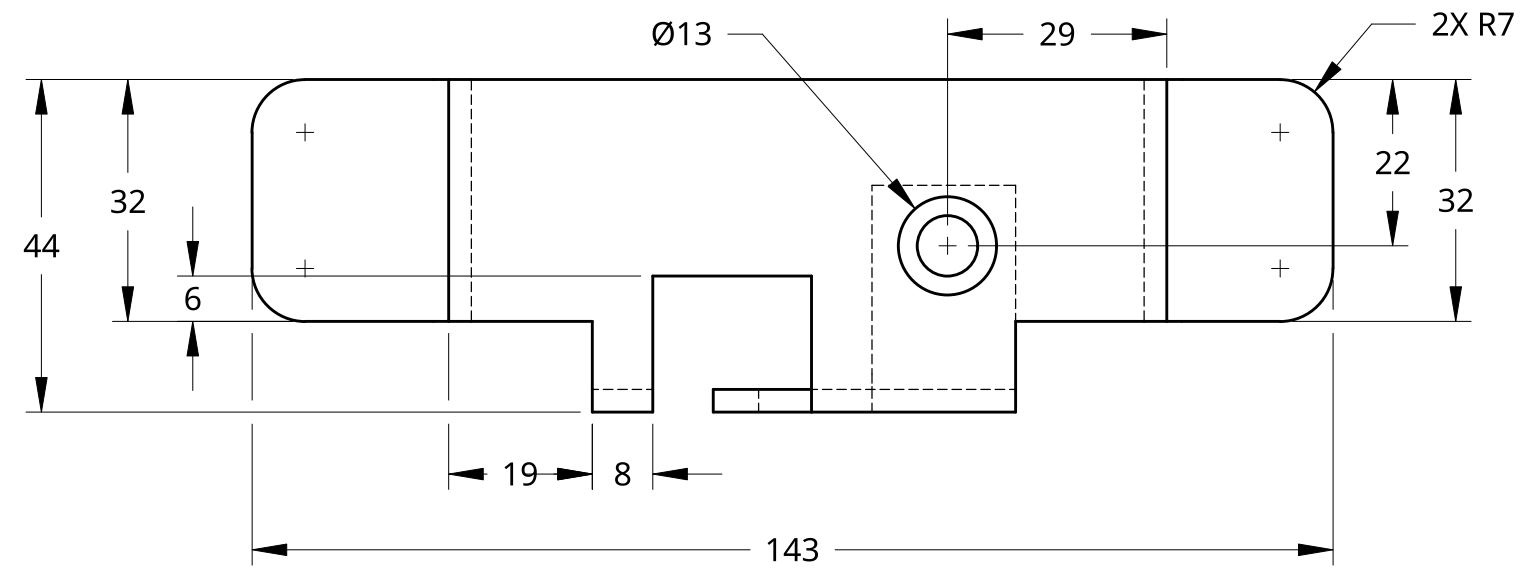
3

2

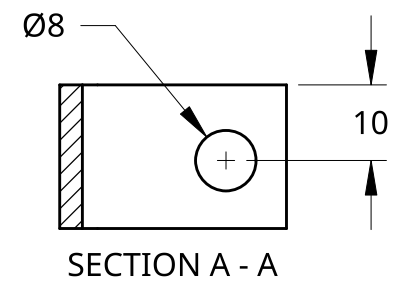
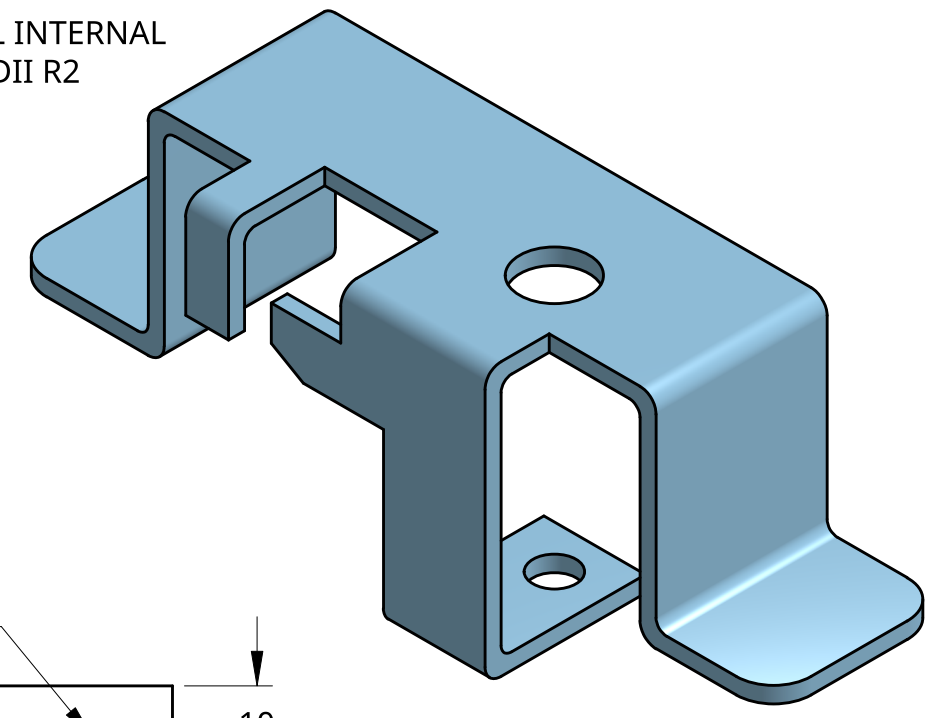
1

D

D



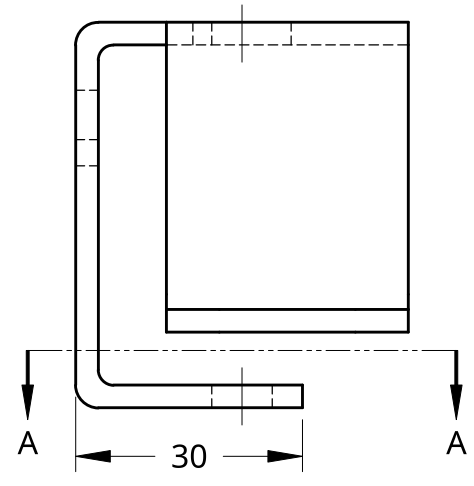
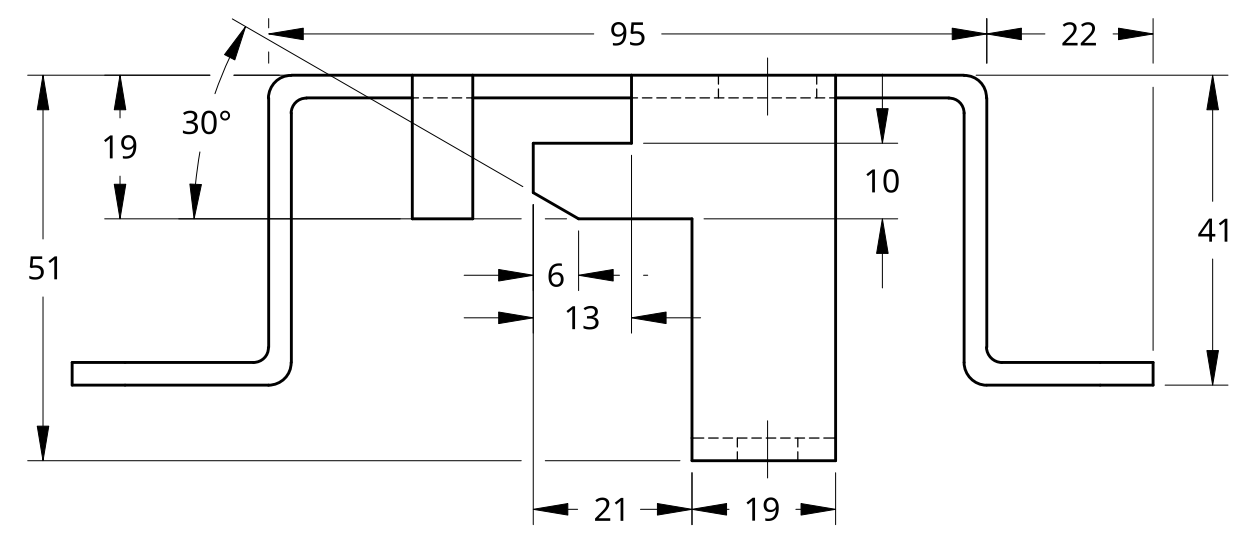
ALL INTERNAL RADI R2



STOCK 3 THICK R3 ALL BENDS

C

C



B

B

A

A

UNLESS OTHERWISE SPECIFIED,  
DIMENSIONS ARE IN INCHES

.XX = ±.0-  
.XXX = ±.00-  
.XXXX = ±.000-

ANGULAR = ± °  
FRACTIONAL = ±

SURFACE FINISH

DO NOT SCALE DRAWING

BREAK ALL SHARP EDGES AND REMOVE BURRS

THIRD ANGLE PROJECTION

	NAME	DATE
DRAWN	BRODY DAI	12/13/2024
CHECKED		
APPROVED		
MATERIAL	FINISH	

TITLE		
HOLDER CLIP		
SIZE	DWG NO.	REV.
B		
SCALE	WEIGHT	SHEET
1:1		1 of 1

4

3

2

1