

4

3

2

1

D

D

C

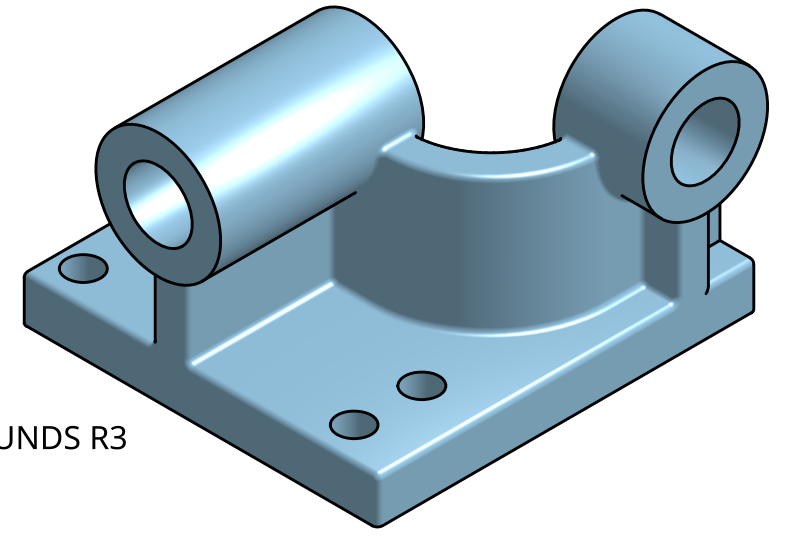
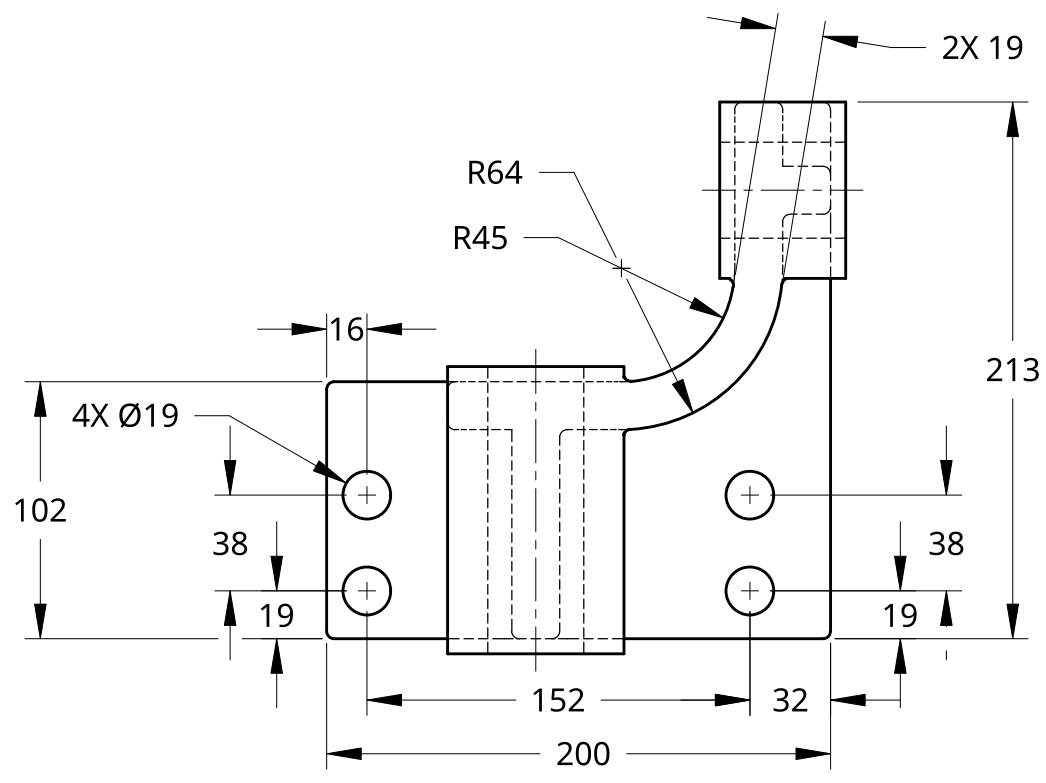
C

B

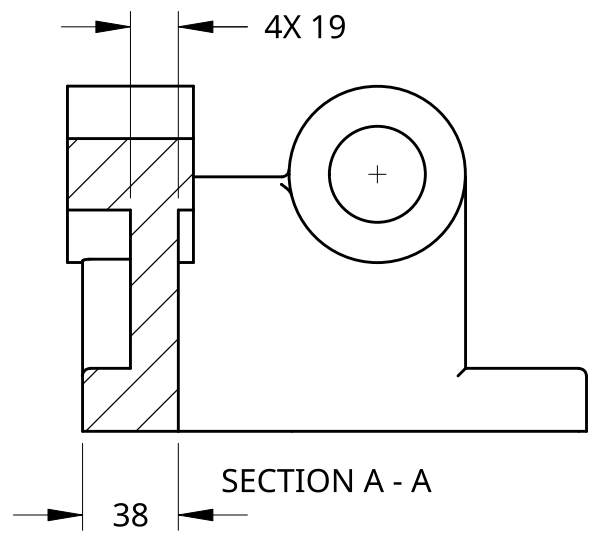
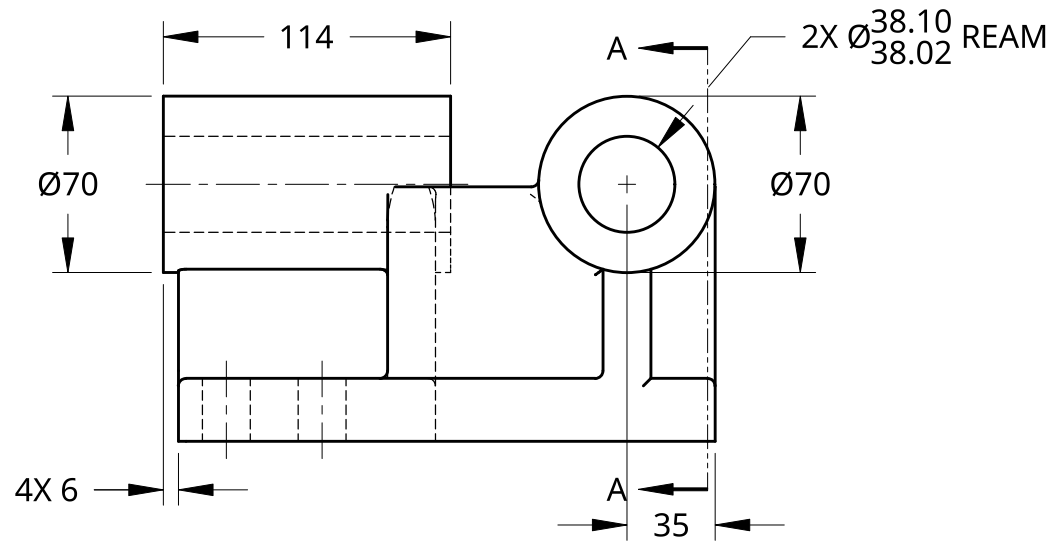
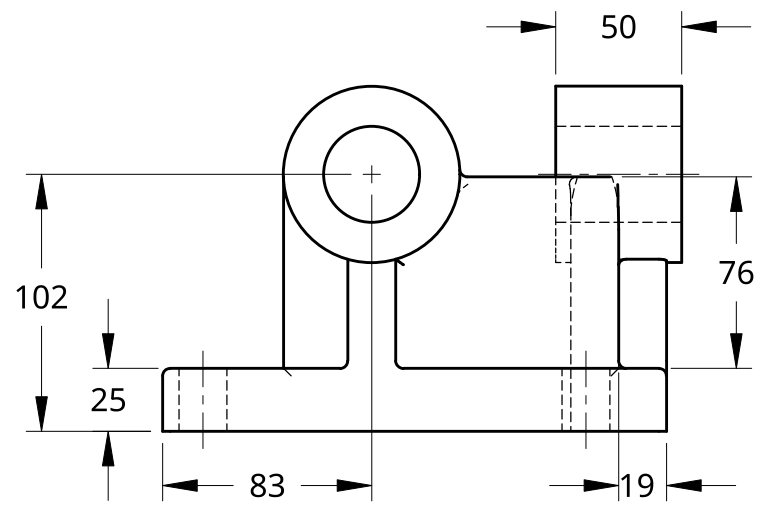
B

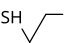
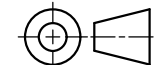
A

A



FILLETS AND ROUNDS R3



UNLESS OTHERWISE SPECIFIED,  
DIMENSIONS ARE IN INCHES  
.XX = ±.0-  
.XXX = ±.00-  
.XXXX = ±.000-  
SURFACE FINISH   
DO NOT SCALE DRAWING  
BREAK ALL SHARP EDGES AND  
REMOVE BURRS  
THIRD ANGLE PROJECTION  


	NAME	DATE
DRAWN	BRODY DAI	12/14/2024
CHECKED		
APPROVED		
	MATERIAL	FINISH

TITLE		LEAD SCREW BRACKET	
SIZE	DWG NO.	REV.	
B			
SCALE	1:3	WEIGHT	SHEET 1 of 1

4

3

2

1