

4

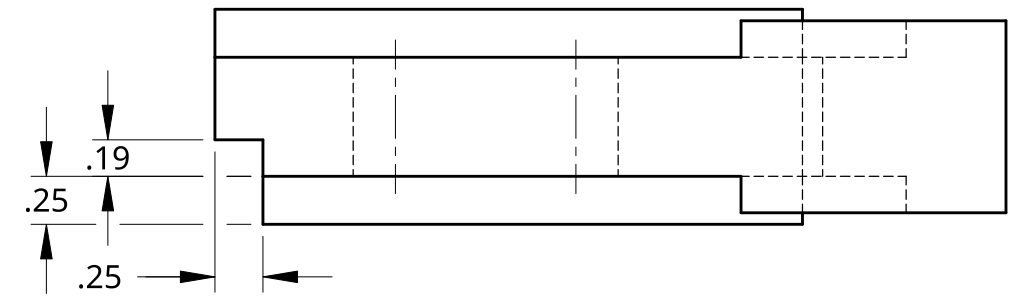
3

2

1

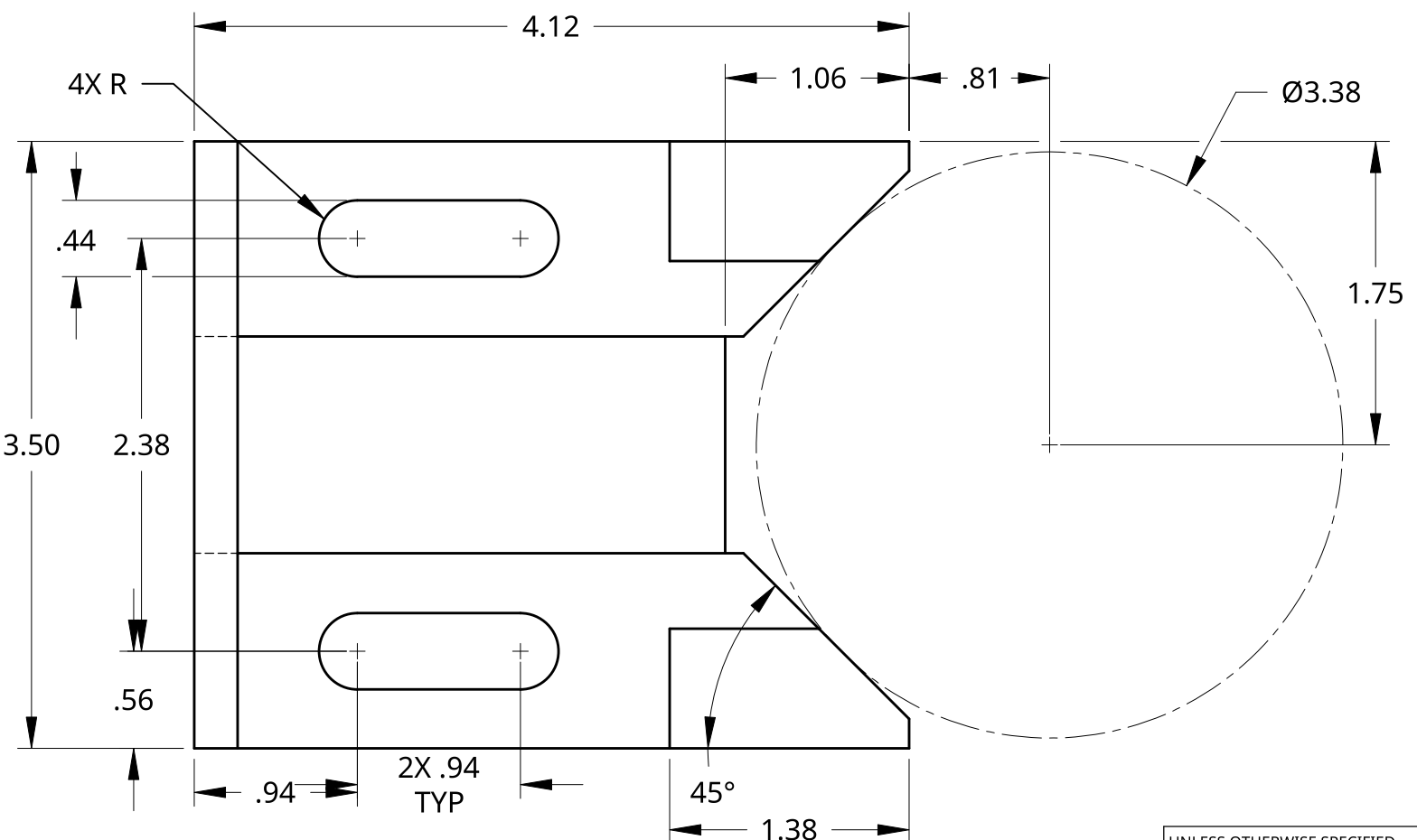
D

D



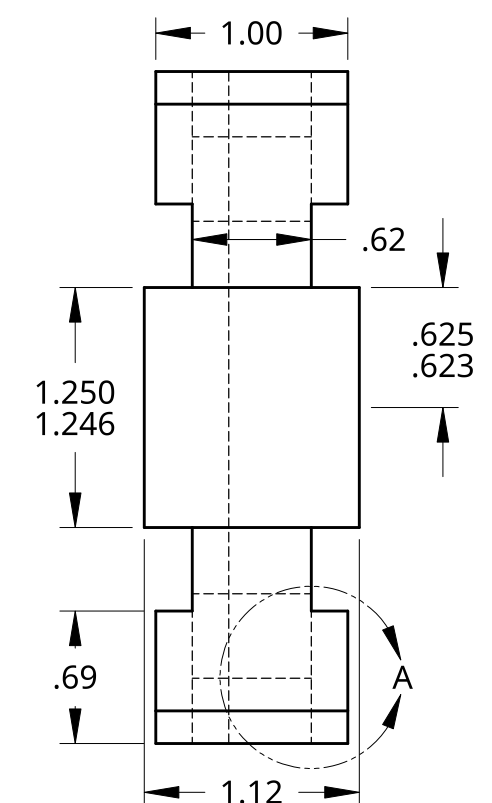
C

C



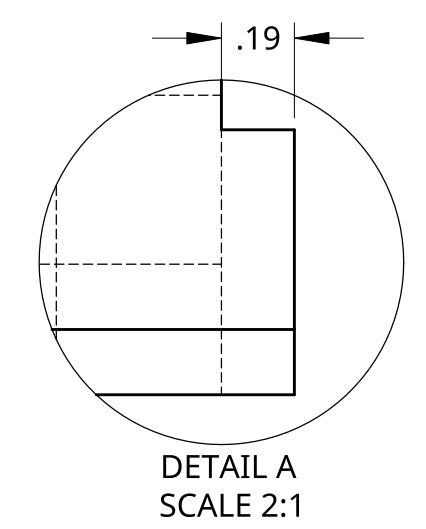
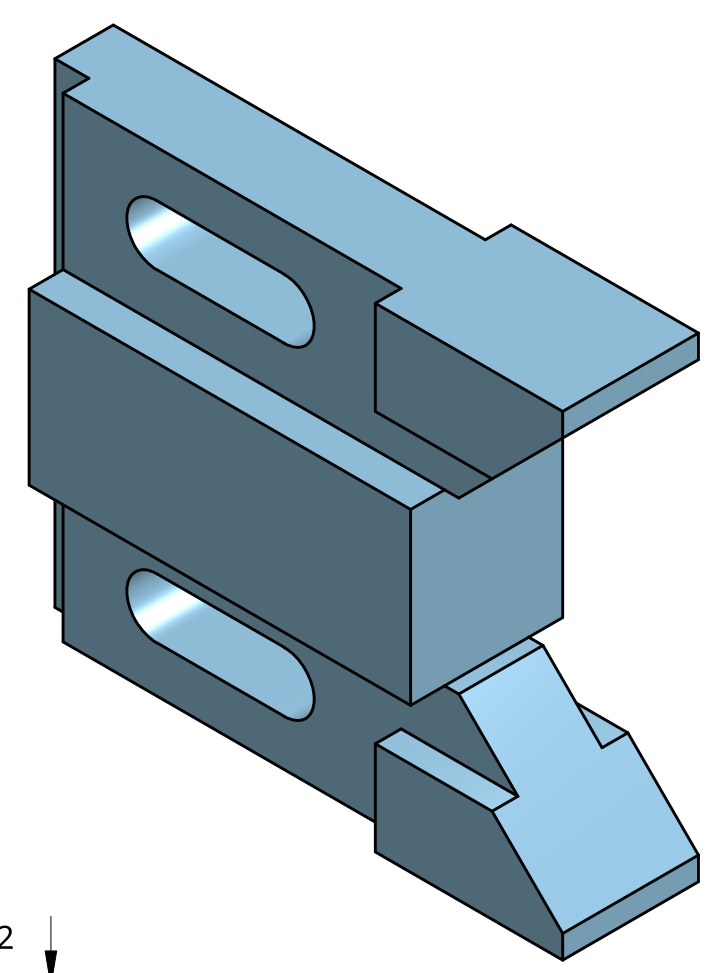
B

B



A

A



UNLESS OTHERWISE SPECIFIED,  
DIMENSIONS ARE IN INCHES  
.XX = ±.0-  
.XXX = ±.00-  
.XXXX = ±.000-  
ANGULAR = ± °  
FRACTIONAL = ±

SURFACE FINISH

DO NOT SCALE DRAWING

BREAK ALL SHARP EDGES AND REMOVE BURRS

THIRD ANGLE PROJECTION

	NAME	DATE
DRAWN	BRODY DAI	12/10/2024
CHECKED		
APPROVED		
	MATERIAL	FINISH

TITLE		
LOCATING V-BLOCK		
SIZE	DWG NO.	REV.
B		
SCALE	WEIGHT	SHEET
1:1		1 of 1

4

3

2

1