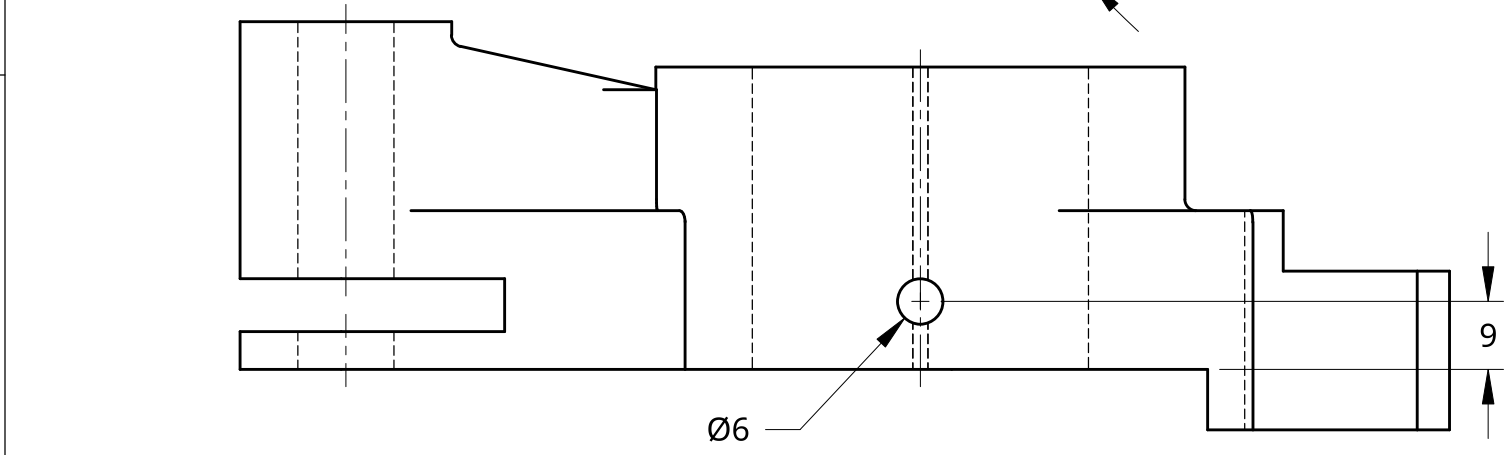
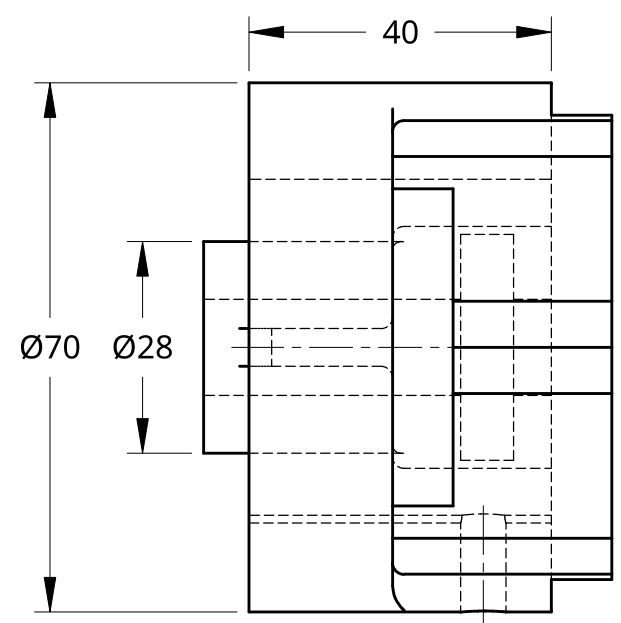
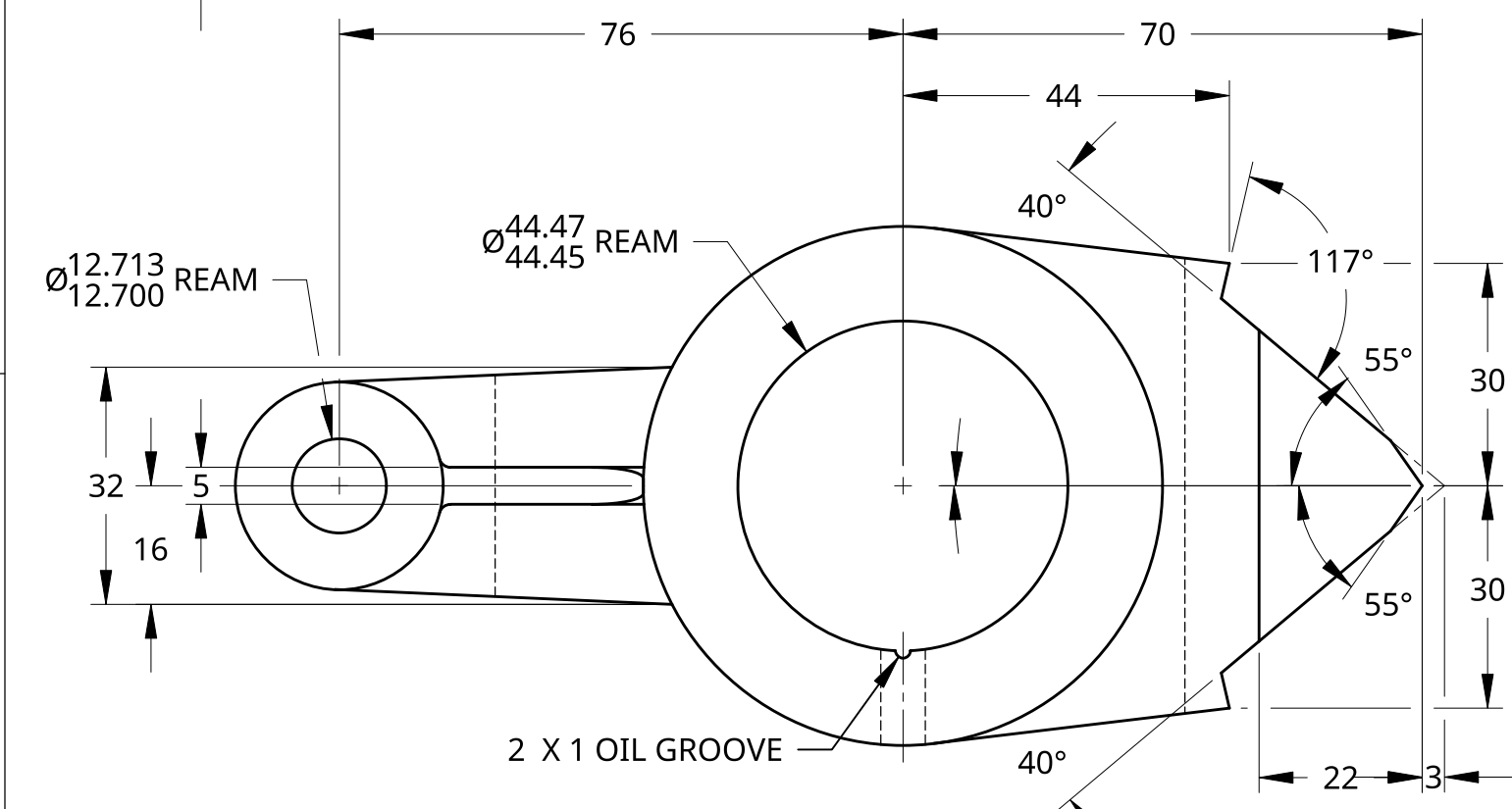
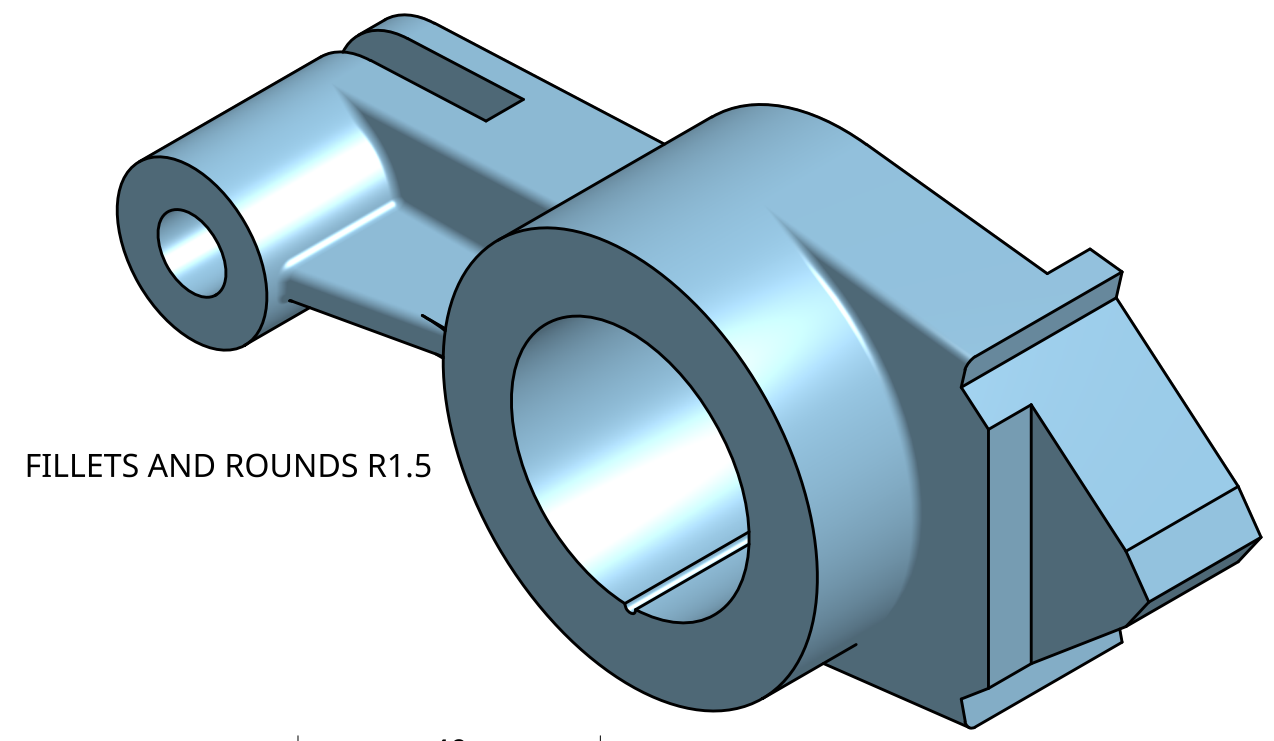
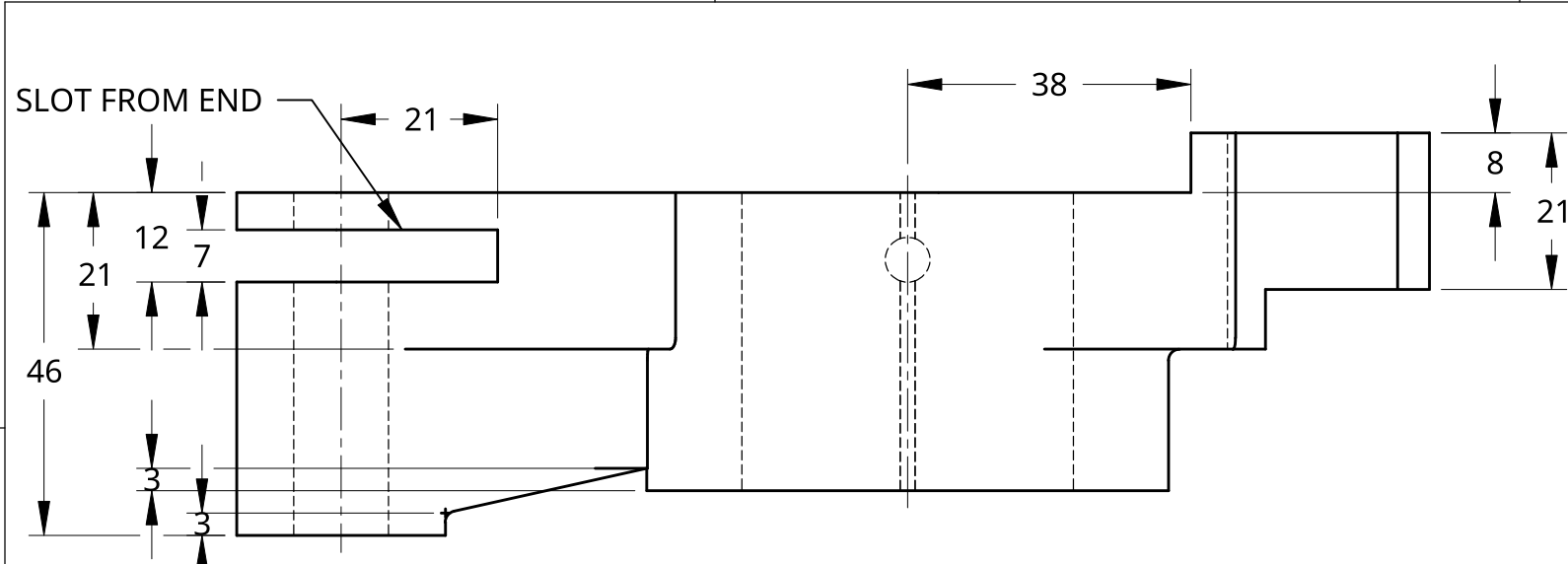


4

3

2

1



UNLESS OTHERWISE SPECIFIED,
DIMENSIONS ARE IN INCHES

.XX = ±.0- ANGULAR = ± °
.XXX = ±.00- FRACTIONAL = ±
.XXXX = ±.000-

SURFACE FINISH

DO NOT SCALE DRAWING

BREAK ALL SHARP EDGES AND
REMOVE BURRS

THIRD ANGLE PROJECTION

	NAME	DATE
DRAWN	BRODY DAI	01/11/2025
CHECKED		
APPROVED		

TITLE		MOTOR SWITCH LEVER	
SIZE	DWG NO.	REV.	
B			
SCALE	1:1	WEIGHT	SHEET 1 of 1

4

3

2

1

D

D

C

C

B

B

A

A