

4

3

2

1

D

D

C

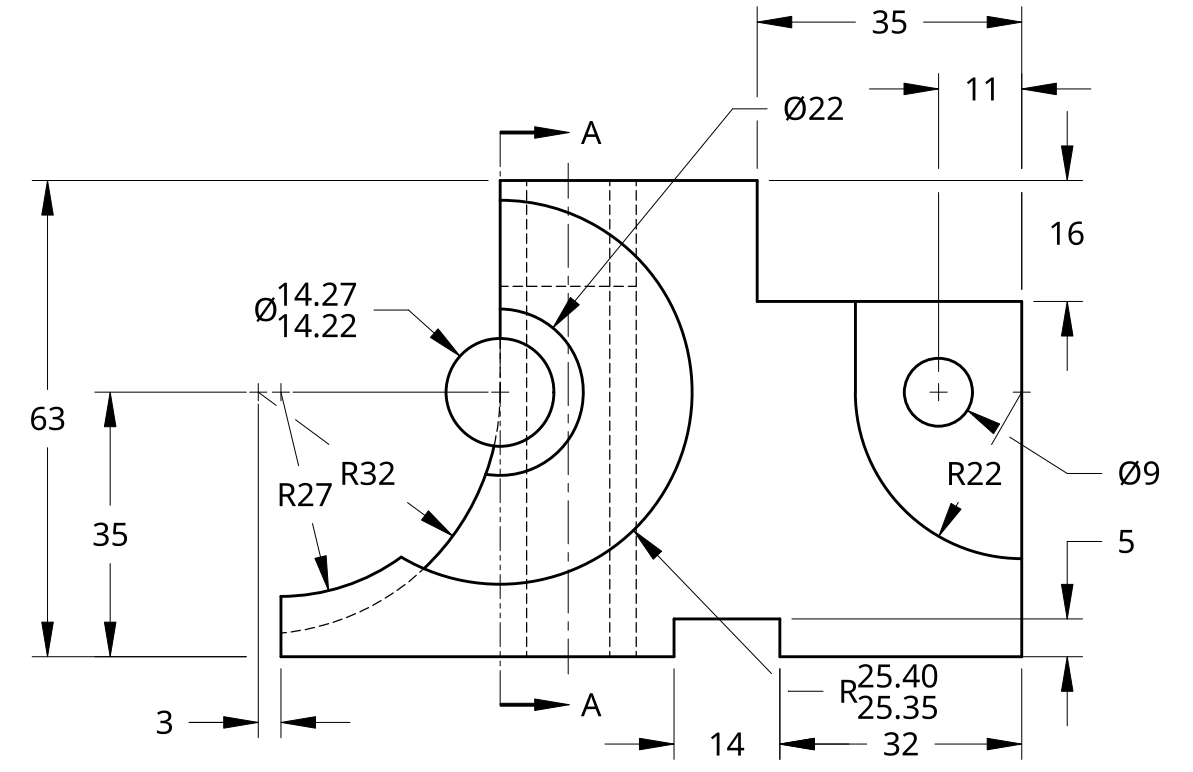
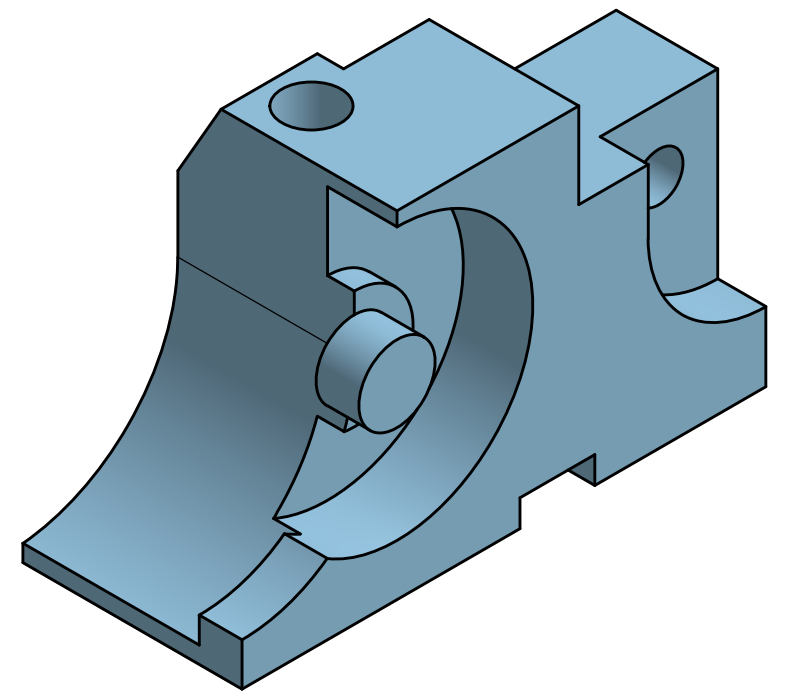
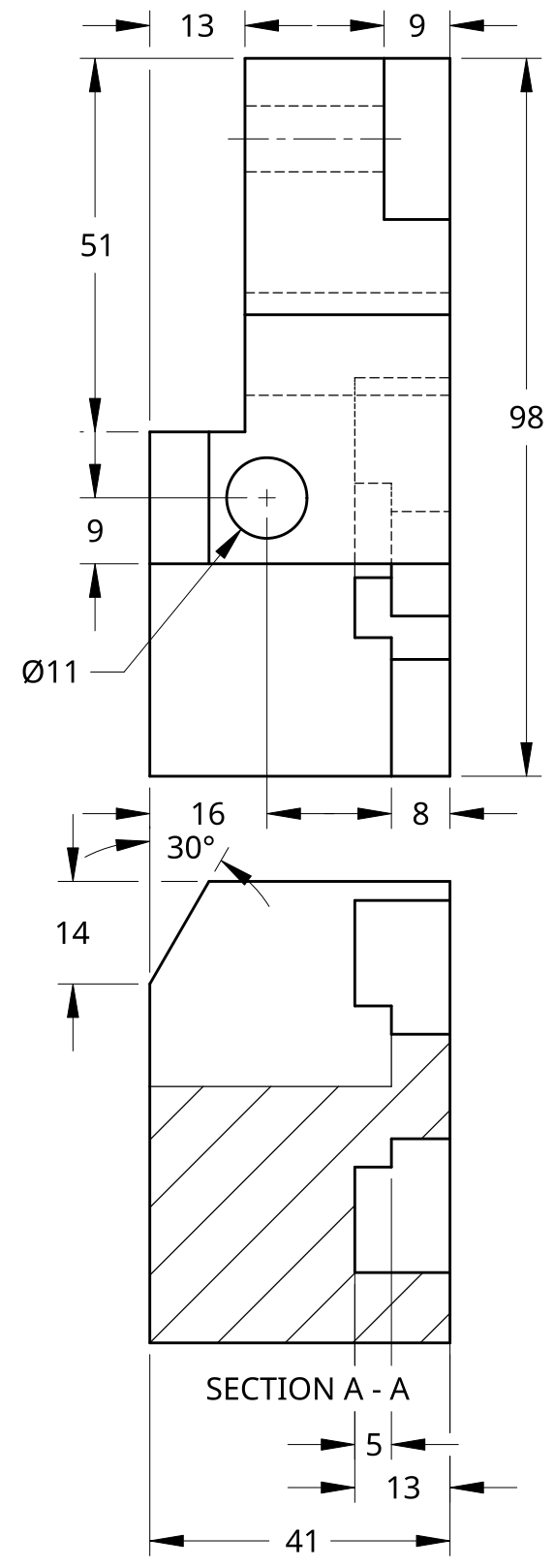
C

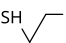
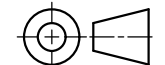
B

B

A

A



UNLESS OTHERWISE SPECIFIED,
DIMENSIONS ARE IN INCHES
.XX = ±.0-
.XXX = ±.00-
.XXXX = ±.000-
SURFACE FINISH 
DO NOT SCALE DRAWING
BREAK ALL SHARP EDGES AND
REMOVE BURRS
THIRD ANGLE PROJECTION


	NAME	DATE
DRAWN	BRODY DAI	12/04/2024
CHECKED		
APPROVED		
MATERIAL	FINISH	

TITLE		
ROUND TOOL HOLDER		
SIZE	DWG NO.	REV.
B		
SCALE	WEIGHT	SHEET
		1 of 1

4

3

2

1