

4

3

2

1

D

D

C

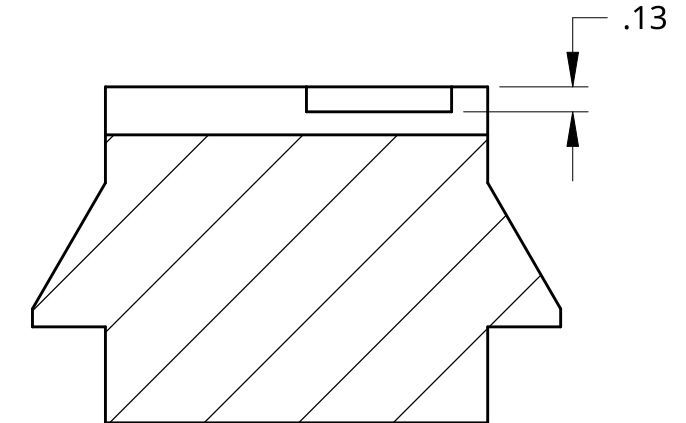
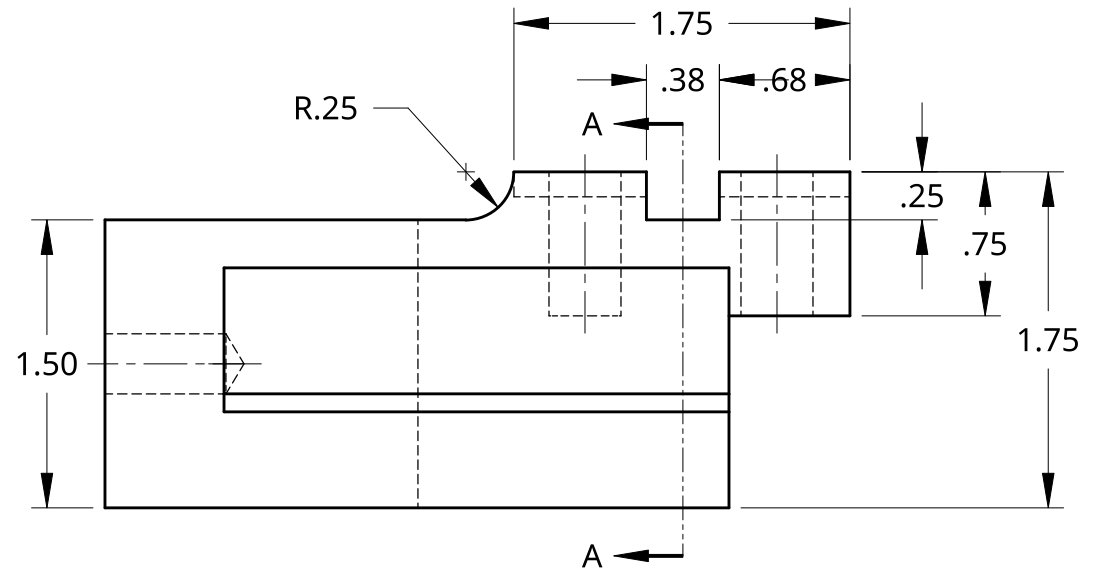
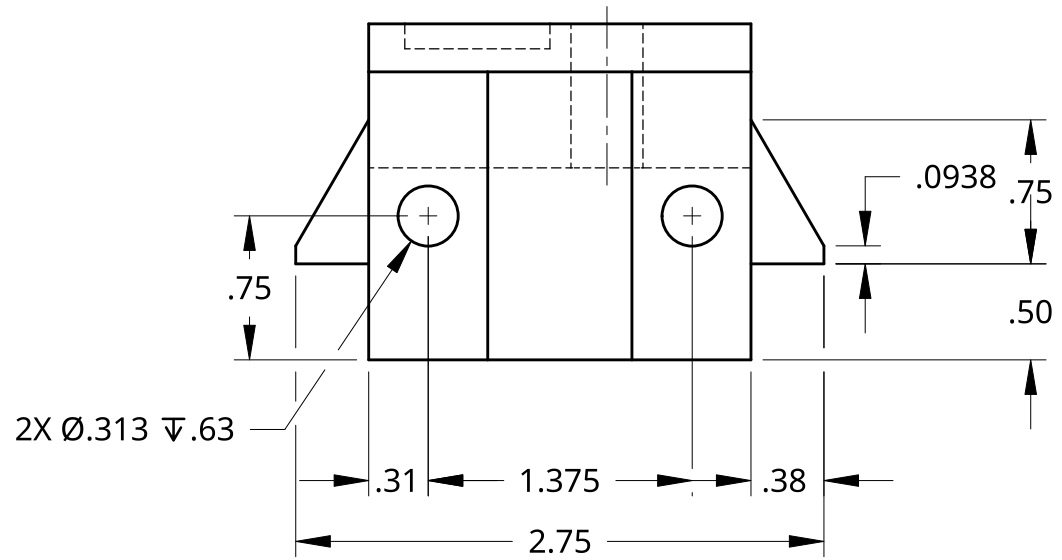
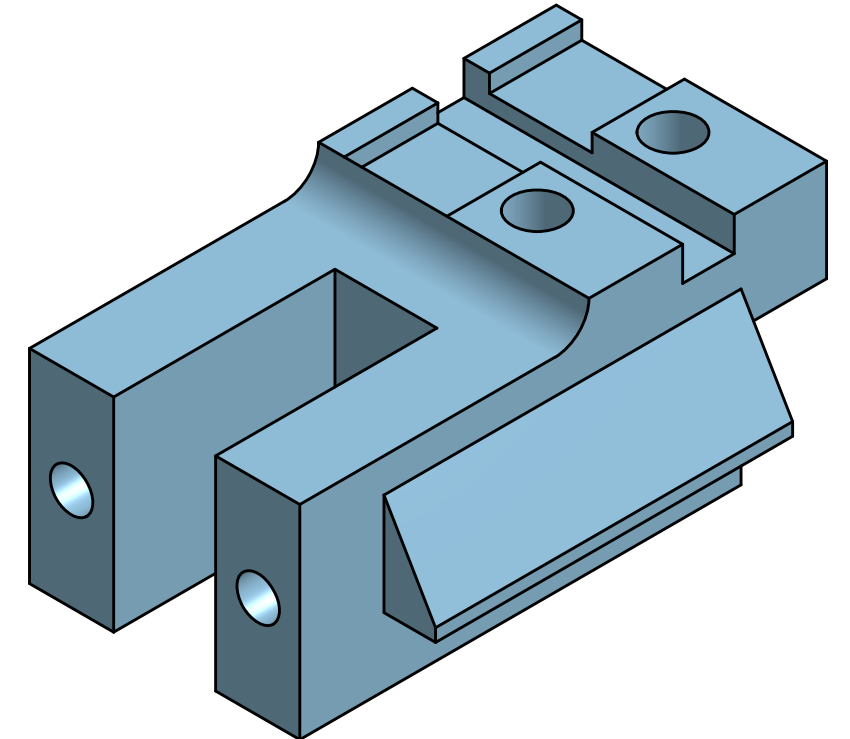
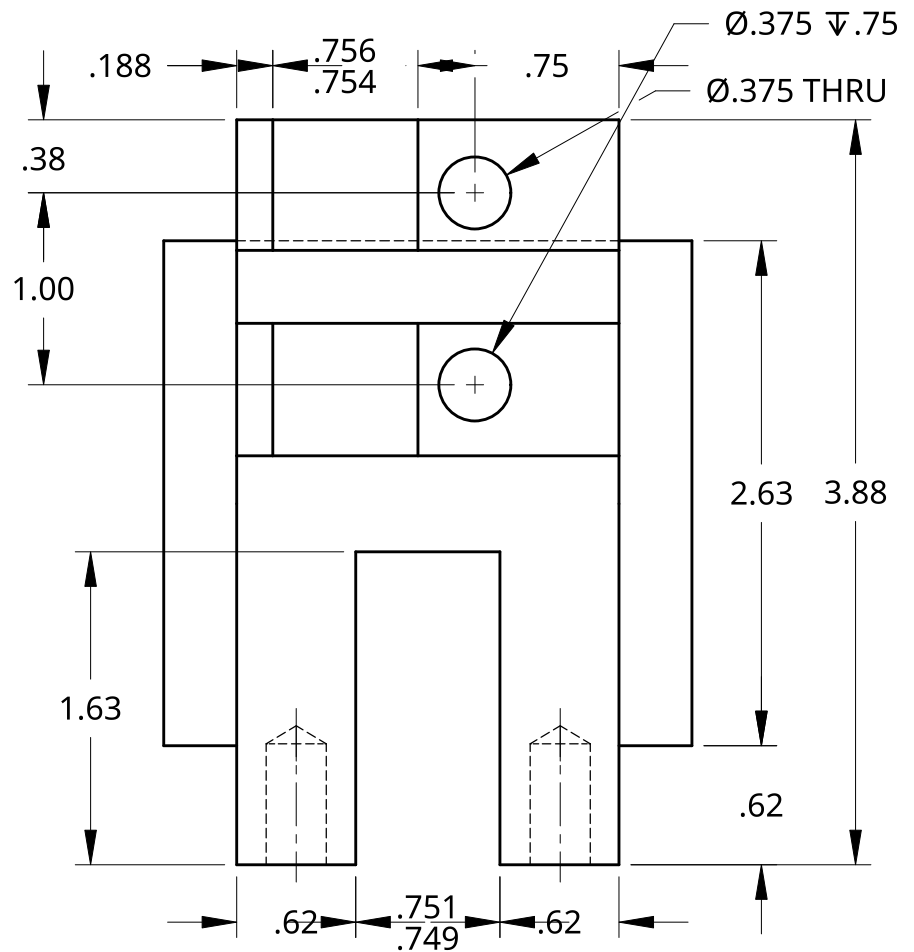
C

B

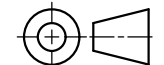
B

A

A



UNLESS OTHERWISE SPECIFIED,
DIMENSIONS ARE IN INCHES
.XX = ±.0-
.XXX = ±.00-
.XXXX = ±.000-
SURFACE FINISH $\sqrt{\quad}$
DO NOT SCALE DRAWING
BREAK ALL SHARP EDGES AND
REMOVE BURRS
THIRD ANGLE PROJECTION



	NAME	DATE
DRAWN	BRODY DAI	12/07/2024
CHECKED		
APPROVED		
MATERIAL	FINISH	

TITLE		
SQUARE TOOL HOLDER		
SIZE	DWG NO.	REV.
B		
SCALE	WEIGHT	SHEET
1:1		1 of 1

4

3

2

1