

4

3

2

1

D

D

C

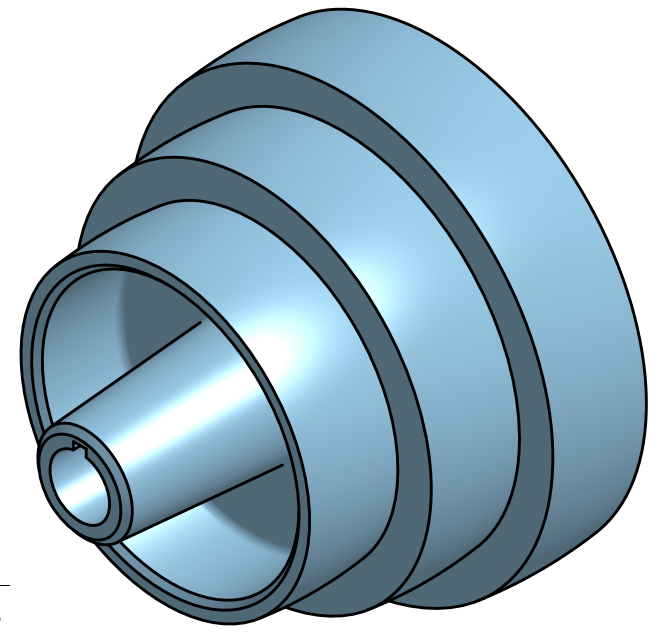
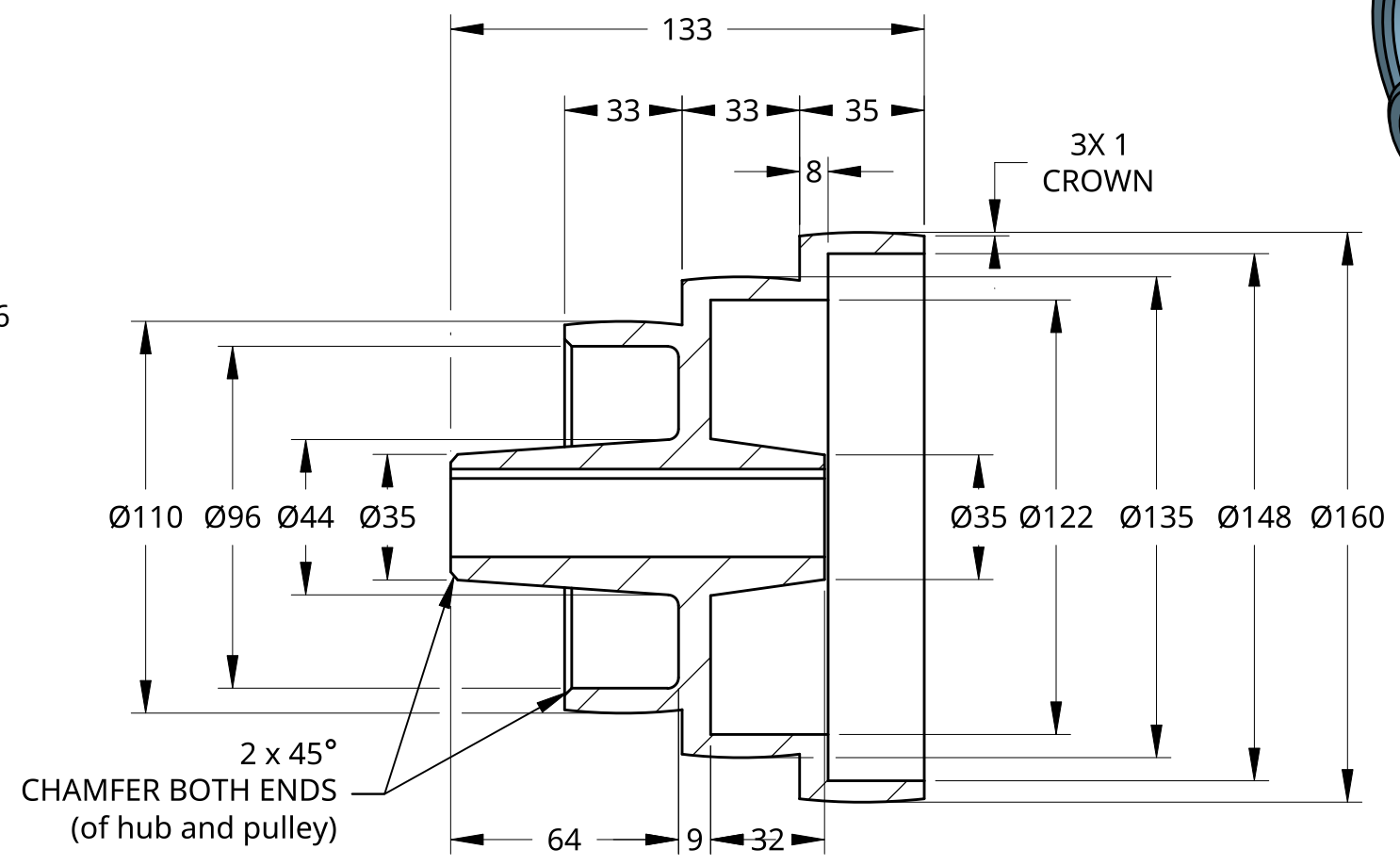
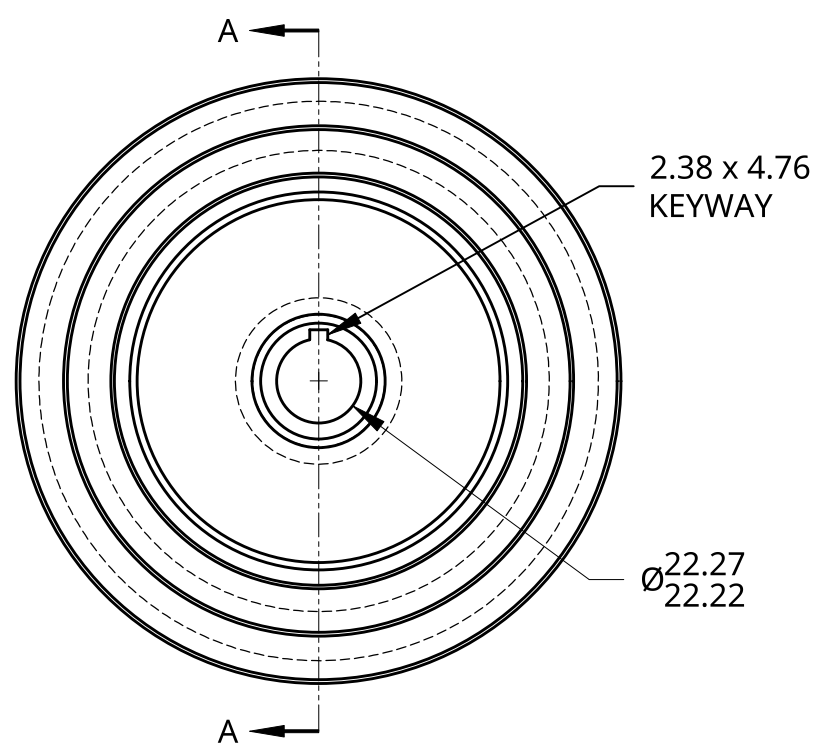
C

B

B

A

A



FILLETES AND ROUNDS R3

SECTION A - A

UNLESS OTHERWISE SPECIFIED,
DIMENSIONS ARE IN INCHES
.XX = ±.0-
.XXX = ±.00-
.XXXX = ±.000-
SURFACE FINISH $\sqrt{\quad}$
DO NOT SCALE DRAWING
BREAK ALL SHARP EDGES AND
REMOVE BURRS
THIRD ANGLE PROJECTION

	NAME	DATE
DRAWN	BRODY DAI	01/22/2025
CHECKED		
APPROVED		
	MATERIAL	FINISH

TITLE		STEP CONE PULLEY	
SIZE	DWG NO.	REV.	
B			
SCALE	1:2	WEIGHT	SHEET 1 of 1