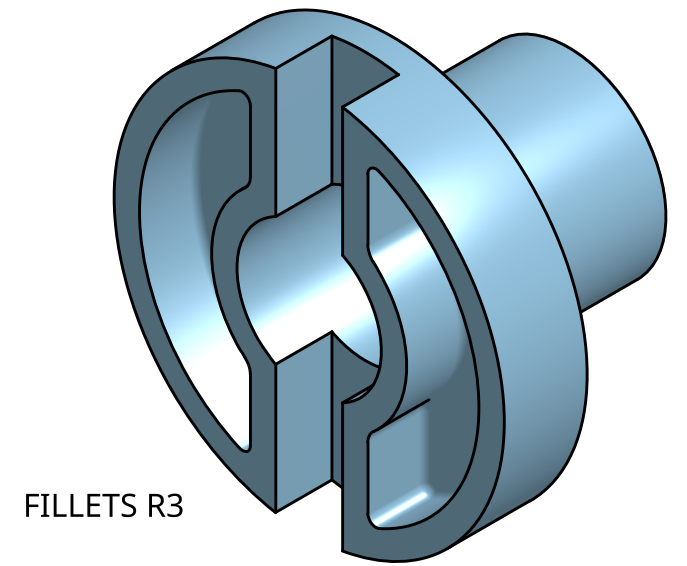
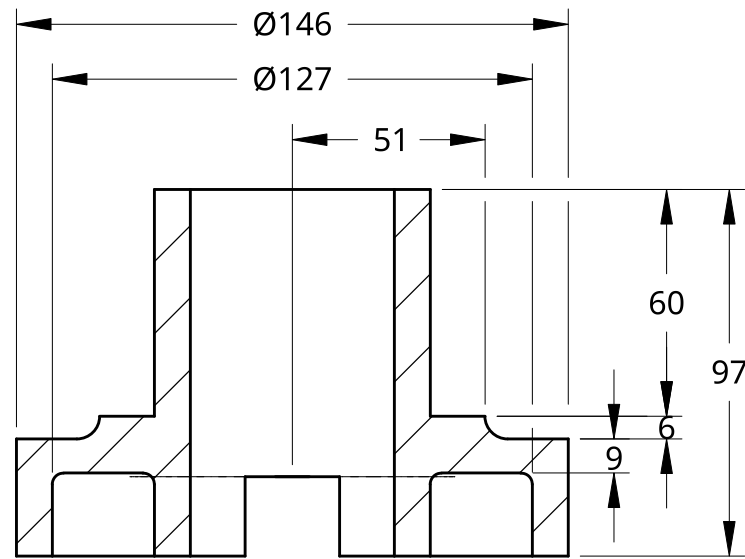


4

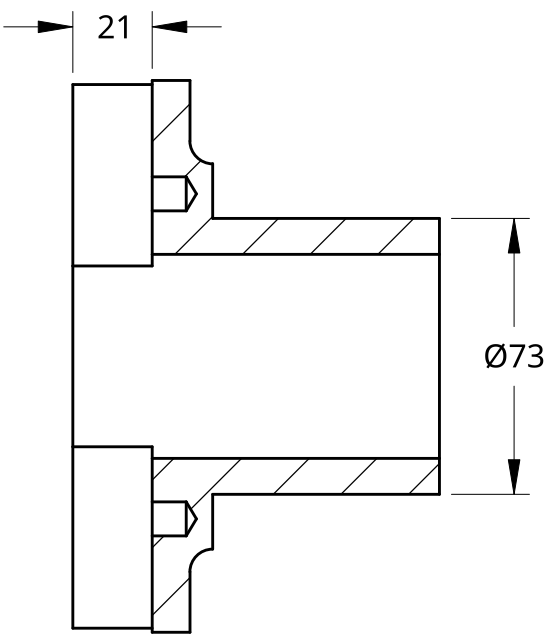
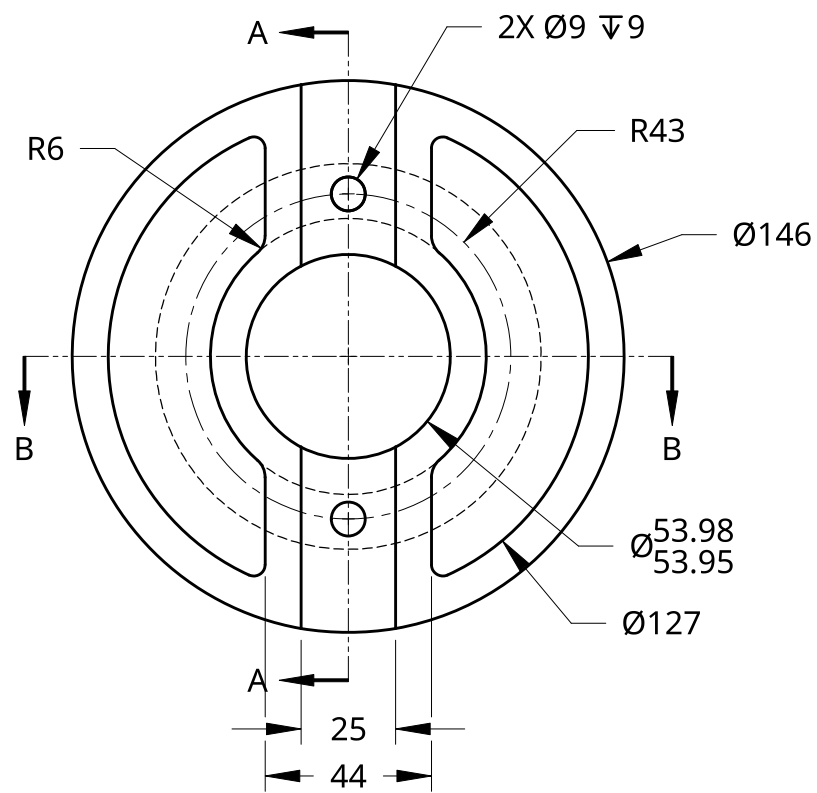
3

2

1



SECTION B - B



SECTION A - A

UNLESS OTHERWISE SPECIFIED,
DIMENSIONS ARE IN INCHES
.XX = ±.0-
.XXX = ±.00-
.XXXX = ±.000-
ANGULAR = ± °
FRACTIONAL = ±

SURFACE FINISH

DO NOT SCALE DRAWING

BREAK ALL SHARP EDGES AND
REMOVE BURRS

THIRD ANGLE PROJECTION

	NAME	DATE
DRAWN	BRODY DAI	01/22/2025
CHECKED		
APPROVED		
MATERIAL	FINISH	

TITLE		
STOCK GUIDE		
SIZE	DWG NO.	REV.
B		
SCALE	WEIGHT	SHEET
1:2		1 of 1

4

3

2

1

D

D

C

C

B

B

A

A