

4

3

2

1

D

D

C

C

B

B

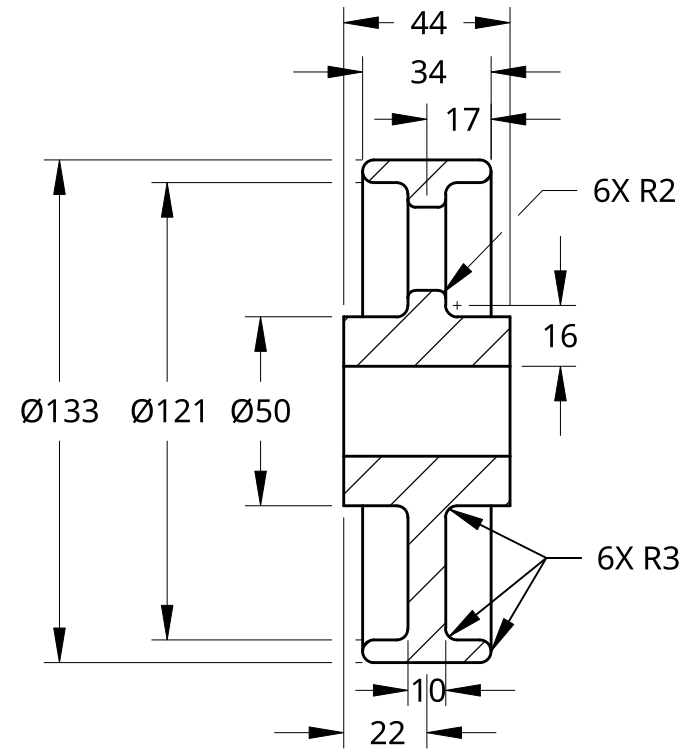
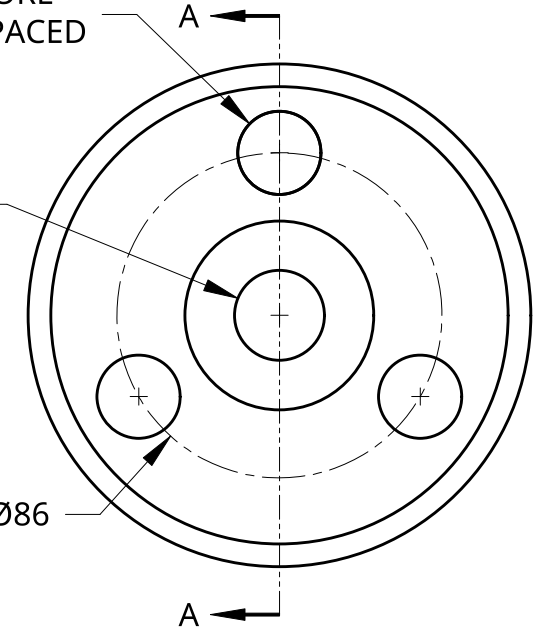
A

A

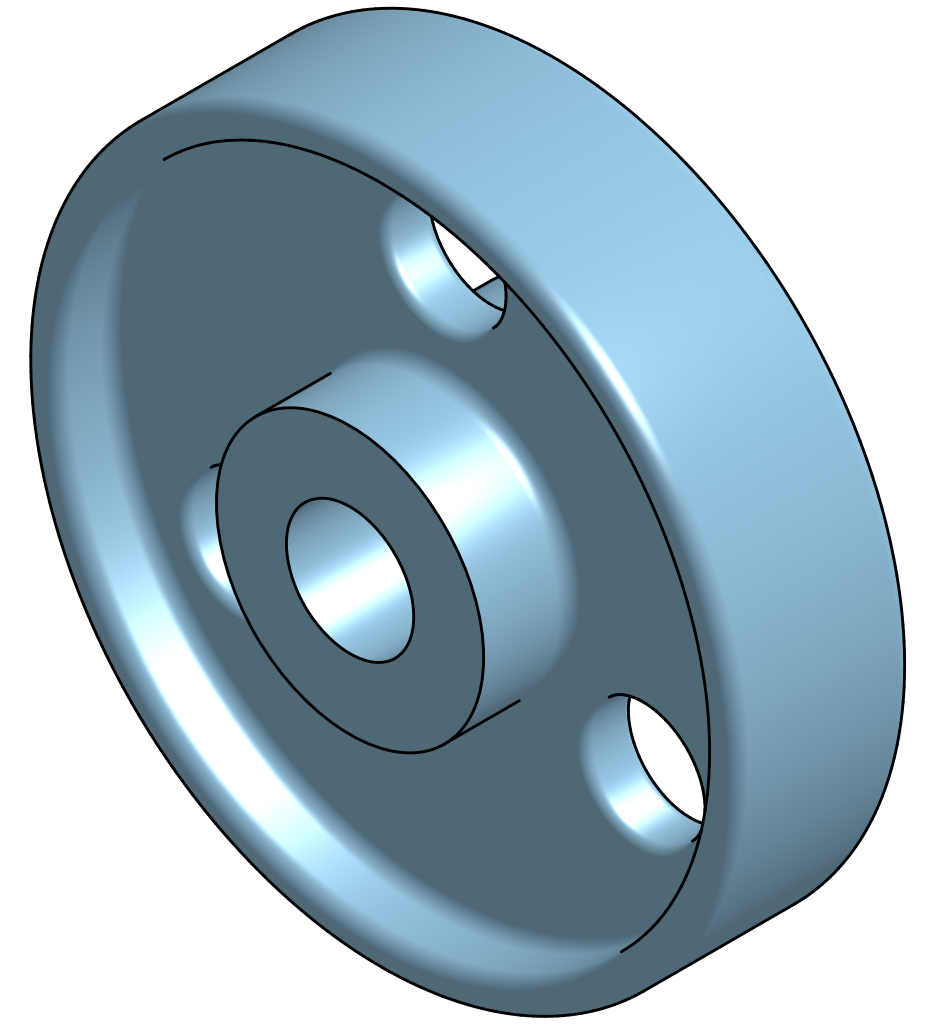
3X Ø22 CORE
EQUALLY SPACED

Ø23.80
Ø23.72

Ø86



SECTION A - A



SCALE 1:1

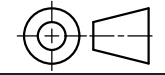
UNLESS OTHERWISE SPECIFIED,
DIMENSIONS ARE IN INCHES
.XX = ±.0-
.XXX = ±.00-
.XXXX = ±.000-
ANGULAR = ± °
FRACTIONAL = ±

SURFACE FINISH

DO NOT SCALE DRAWING

BREAK ALL SHARP EDGES AND REMOVE BURRS

THIRD ANGLE PROJECTION



	NAME	DATE
DRAWN	BRODY DAI	01/21/2025
CHECKED		
APPROVED		

TITLE		
TRUCK WHEEL		
SIZE	DWG NO.	REV.

SCALE	1:2	WEIGHT		SHEET	1 of 1
-------	-----	--------	--	-------	--------

4

3

2

1