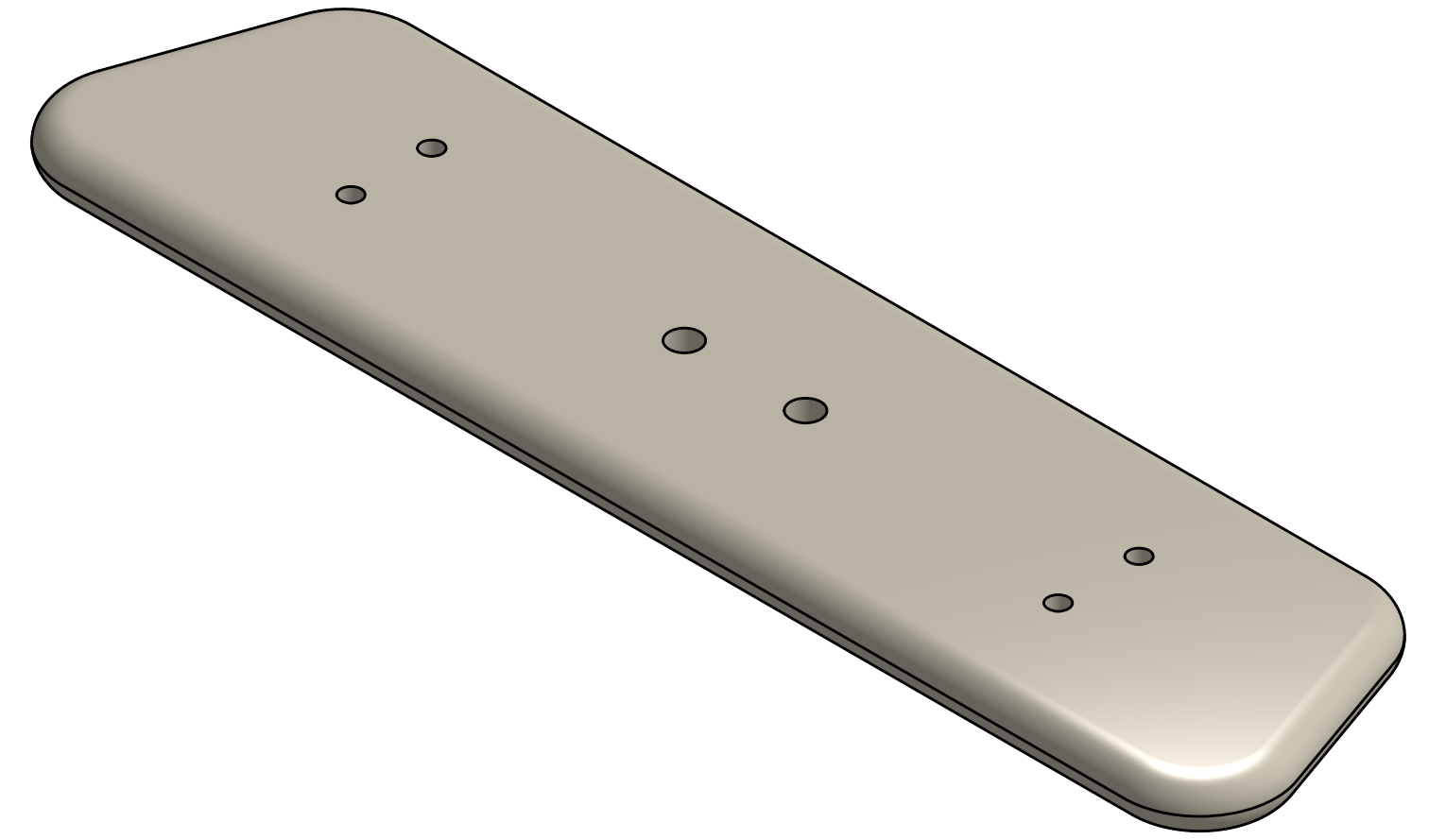
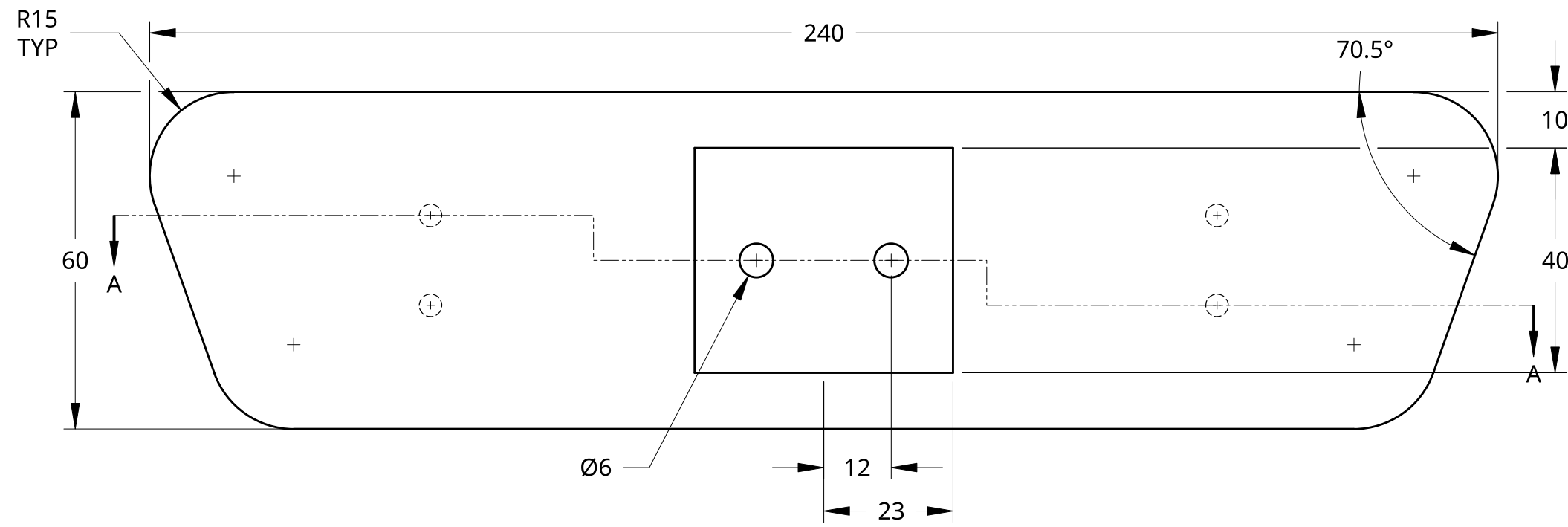
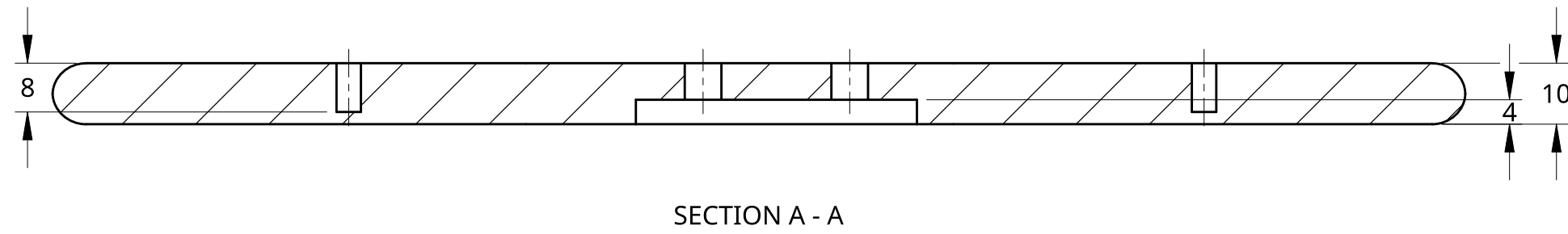
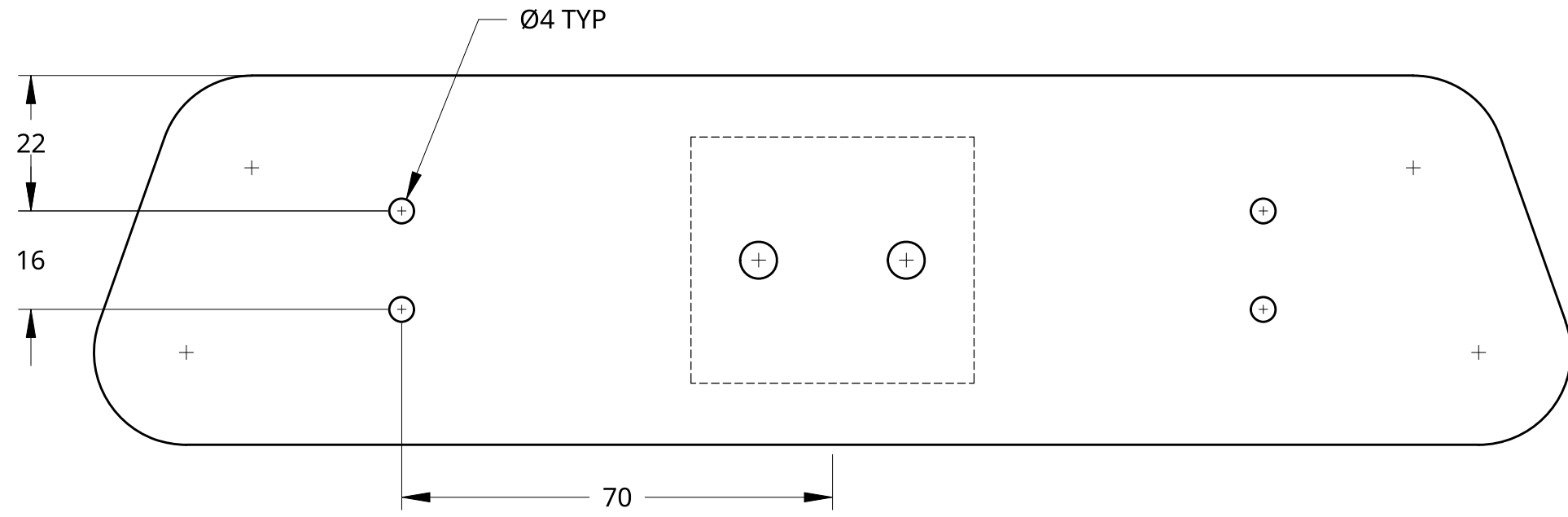


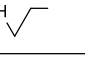



# PART 1: LOWER WING

MATERIAL: BIRCH  
 SCALE: 1:1  
 FILLETS AND ROUNDS R5.12



UNLESS OTHERWISE SPECIFIED, DIMENSIONS ARE IN INCHES		NAME	DATE	 
.XX = ±.0-	ANGULAR = ±	DRAWN	BRODY DAI	
.XXX = ±.00-	FRACTIONAL = ±	CHECKED		
.XXXX = ±.000-		APPROVED		
SURFACE FINISH 		TITLE		
DO NOT SCALE DRAWING		VINTAGE TOY PLANE		
BREAK ALL SHARP EDGES AND REMOVE BURRS		SIZE C DWG NO.		
THIRD ANGLE PROJECTION	MATERIAL	FINISH	SCALE 1:1	WEIGHT
			SHEET 1 of 7	REV.

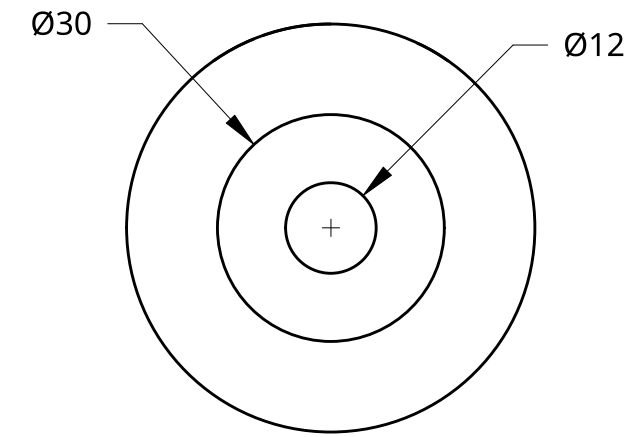
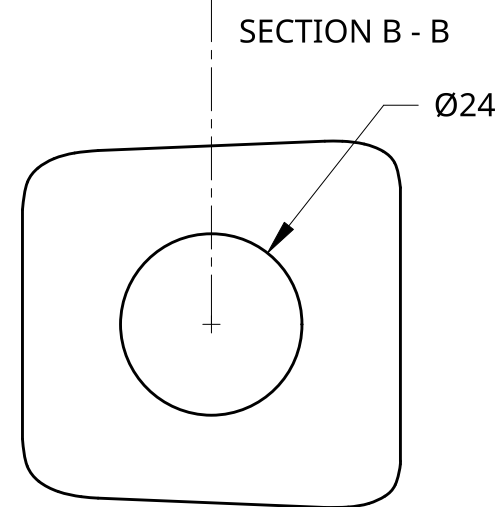
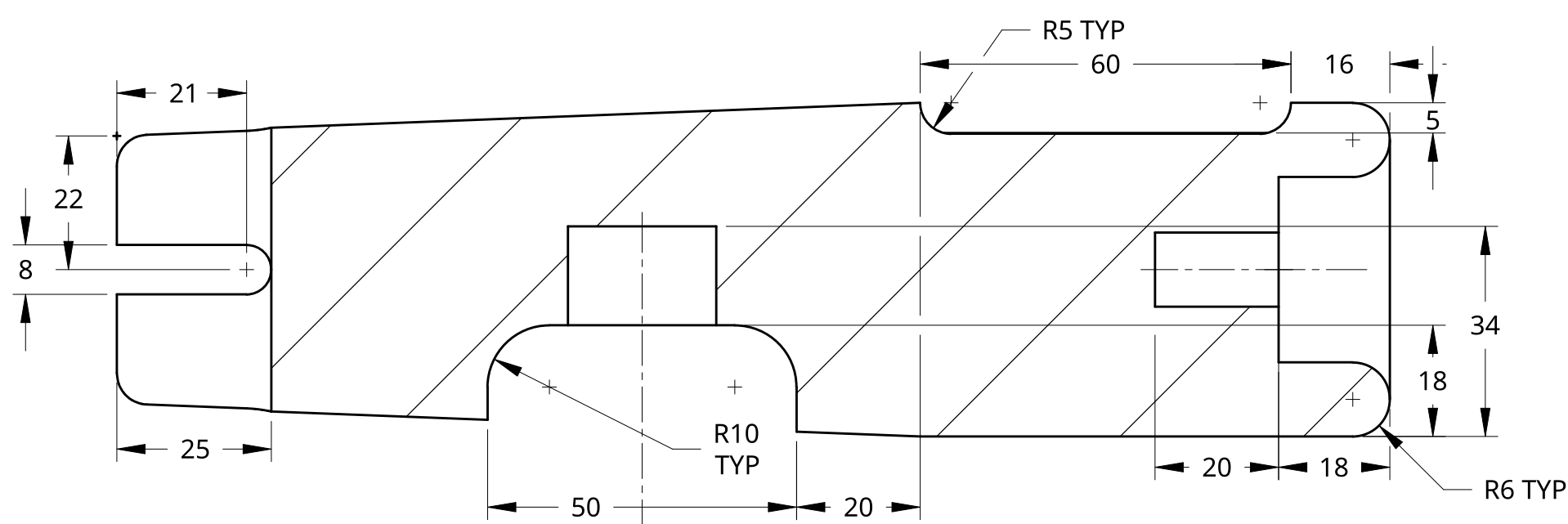
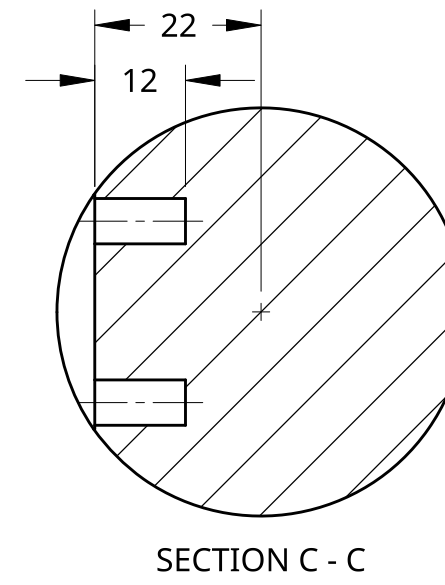
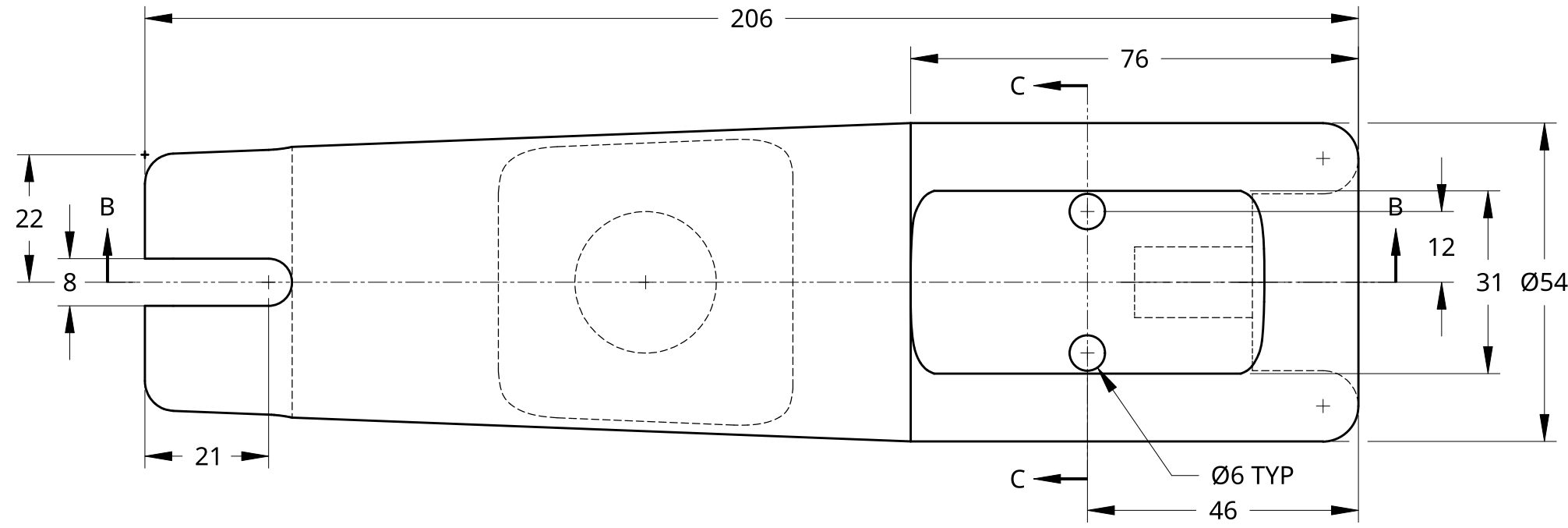
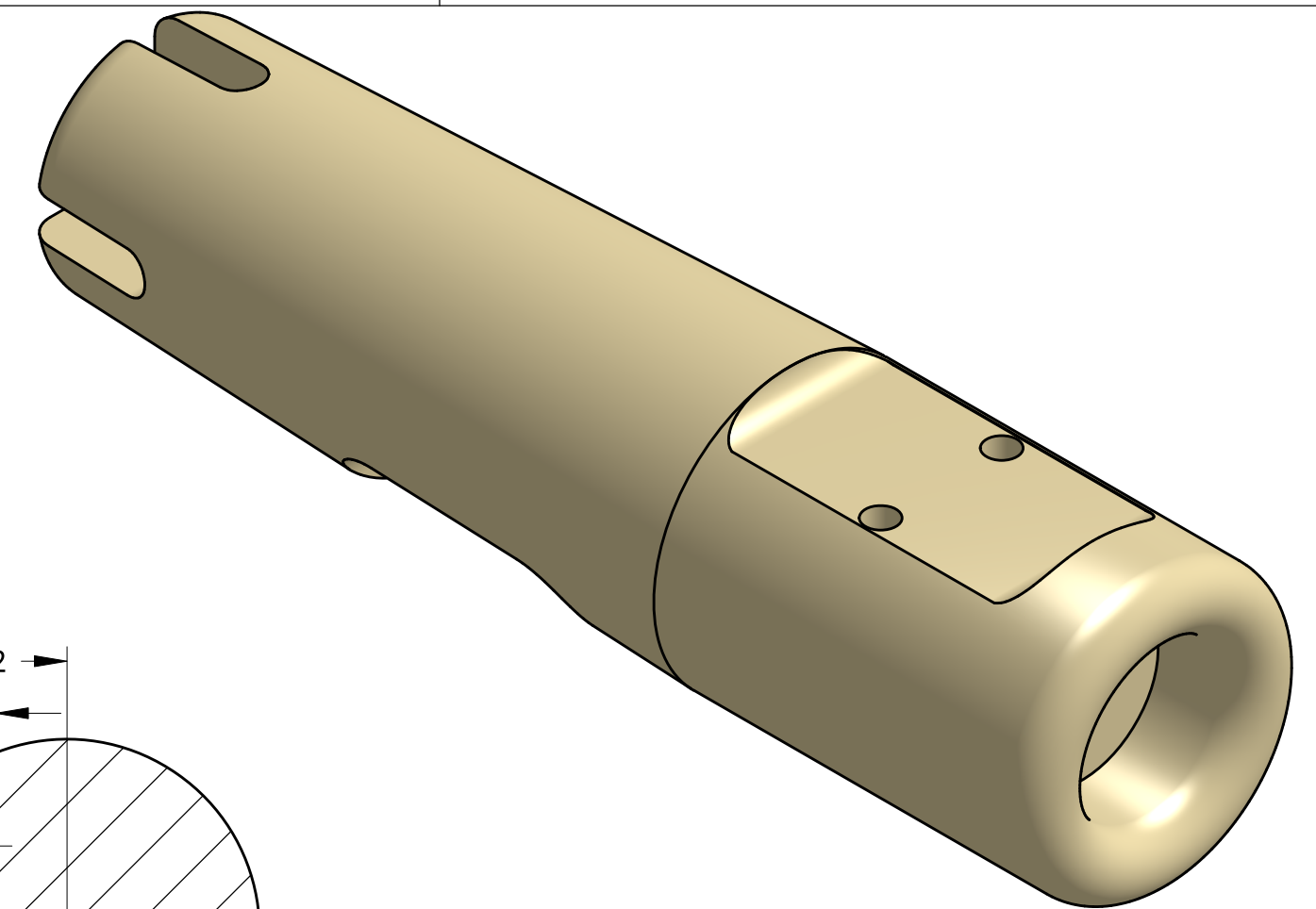


VINTAGE TOY PLANE

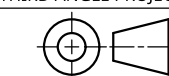
SCALE 1:1 WEIGHT SHEET 1 of 7 REV.

# PART 2: FUSELAGE

MATERIAL: BIRCH  
 SCALE: 1:1  
 FILLETS AND ROUNDS R5



UNLESS OTHERWISE SPECIFIED, DIMENSIONS ARE IN INCHES		NAME	DATE			
.XX = ±.0-	ANGULAR = ±°	DRAWN	BRODY DAI			
.XXX = ±.00-	FRACTIONAL = ±	CHECKED			TITLE	
.XXXX = ±.000-		APPROVED			VINTAGE TOY PLANE	
SURFACE FINISH ✓				SIZE	DWG NO.	REV.
DO NOT SCALE DRAWING				C		
BREAK ALL SHARP EDGES AND REMOVE BURRS		MATERIAL	FINISH	SCALE	WEIGHT	SHEET
THIRD ANGLE PROJECTION				1:1		2 of 7



4

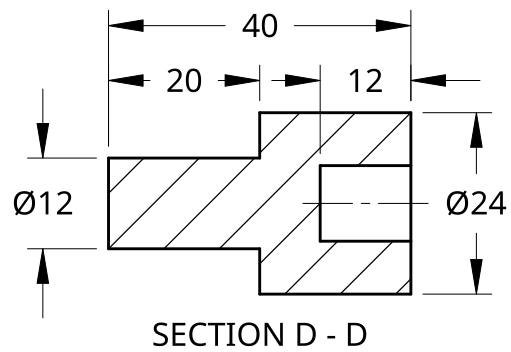
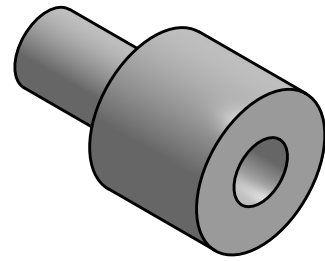
3

2

1

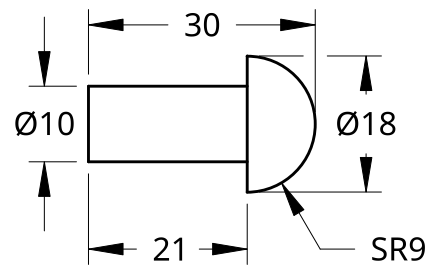
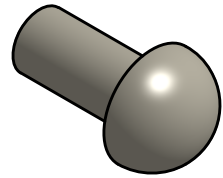
### PART 3: MOTOR

MATERIAL: BIRCH  
SCALE: 1:1



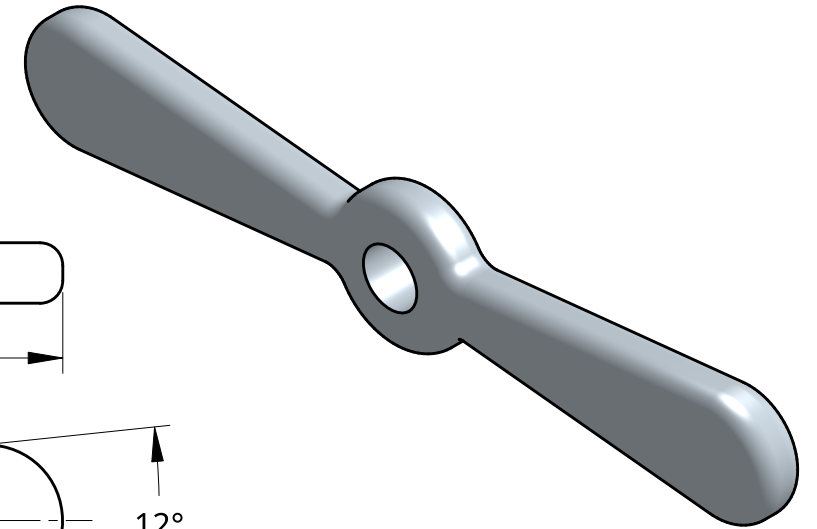
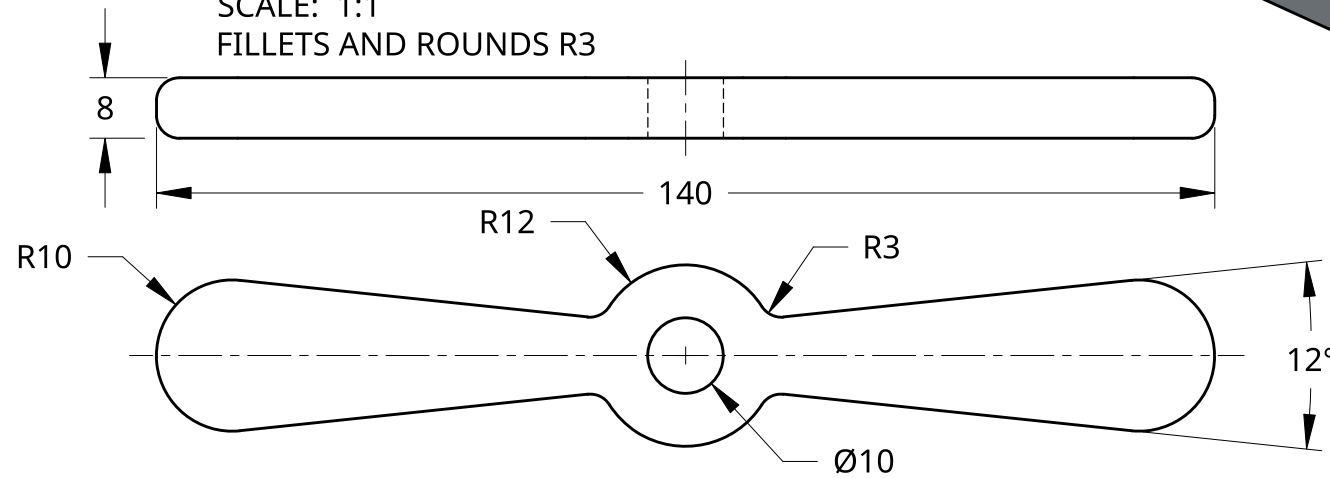
### PART 5: HOLDER

MATERIAL: BIRCH  
SCALE: 1:1



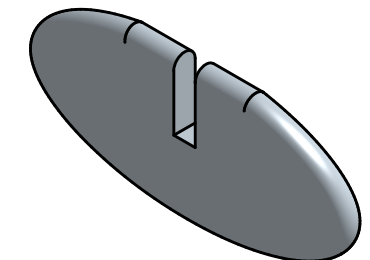
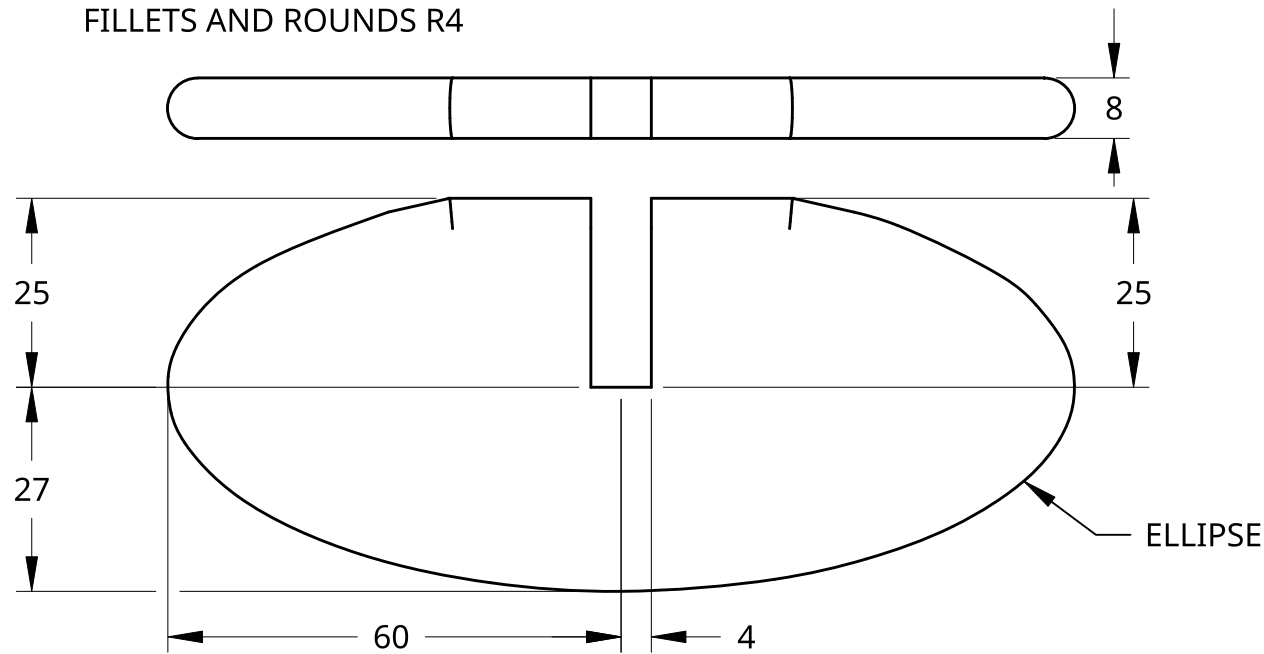
### PART 4: PROPELLER

MATERIAL: BIRCH  
SCALE: 1:1  
FILLETS AND ROUNDS R3



### PART 6: HORIZONTAL TAIL

MATERIAL: BIRCH  
SCALE: 1:1  
FILLETS AND ROUNDS R4



SCALE 1:2

UNLESS OTHERWISE SPECIFIED,  
DIMENSIONS ARE IN INCHES

.XX = ±.0-  
.XXX = ±.00-  
.XXXX = ±.000-

ANGULAR = ± °  
FRACTIONAL = ±

SURFACE FINISH

DO NOT SCALE DRAWING

BREAK ALL SHARP EDGES AND  
REMOVE BURRS

THIRD ANGLE PROJECTION

	NAME	DATE
DRAWN	BRODY DAI	12/01/2025
CHECKED		
APPROVED		
MATERIAL	FINISH	

TITLE		VINTAGE TOY PLANE	
SIZE	DWG NO.	REV.	
B			
SCALE	WEIGHT	SHEET	3 of 7
1:1			



4

3

2

1

D

D

C

C

B

B

A

A

4

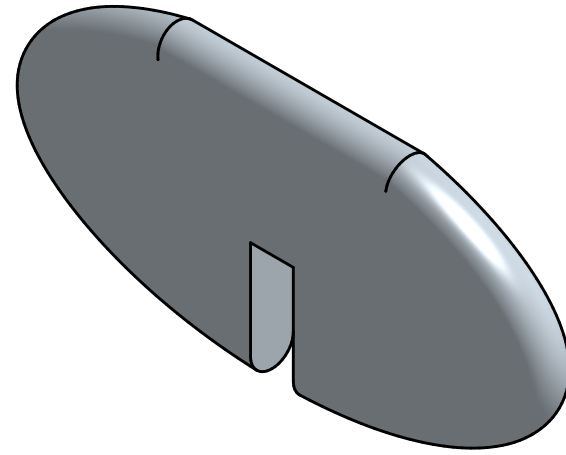
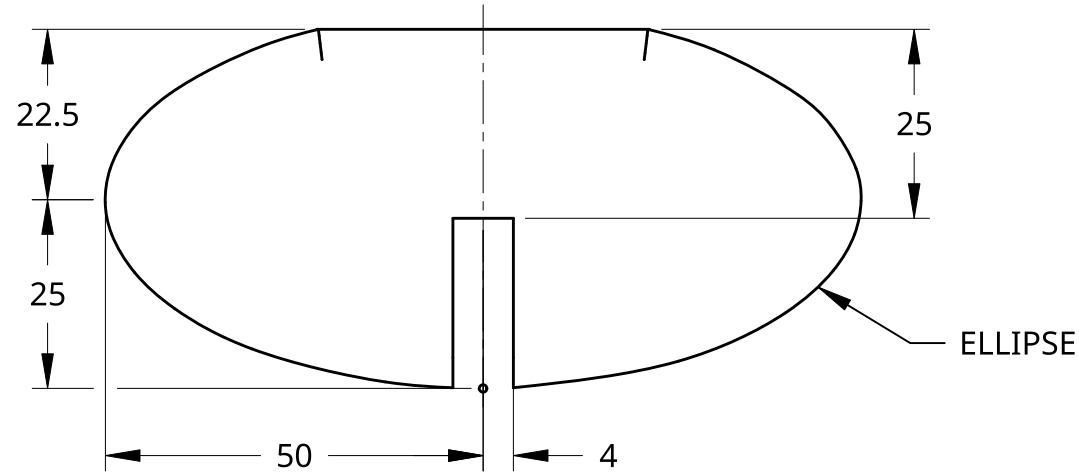
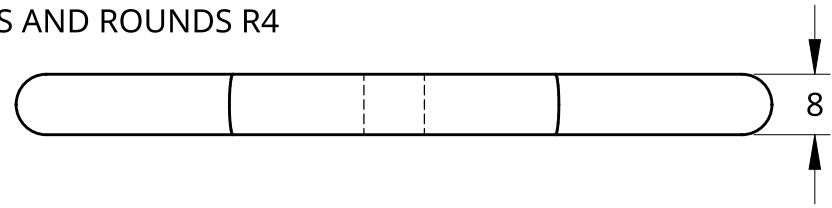
3

2

1

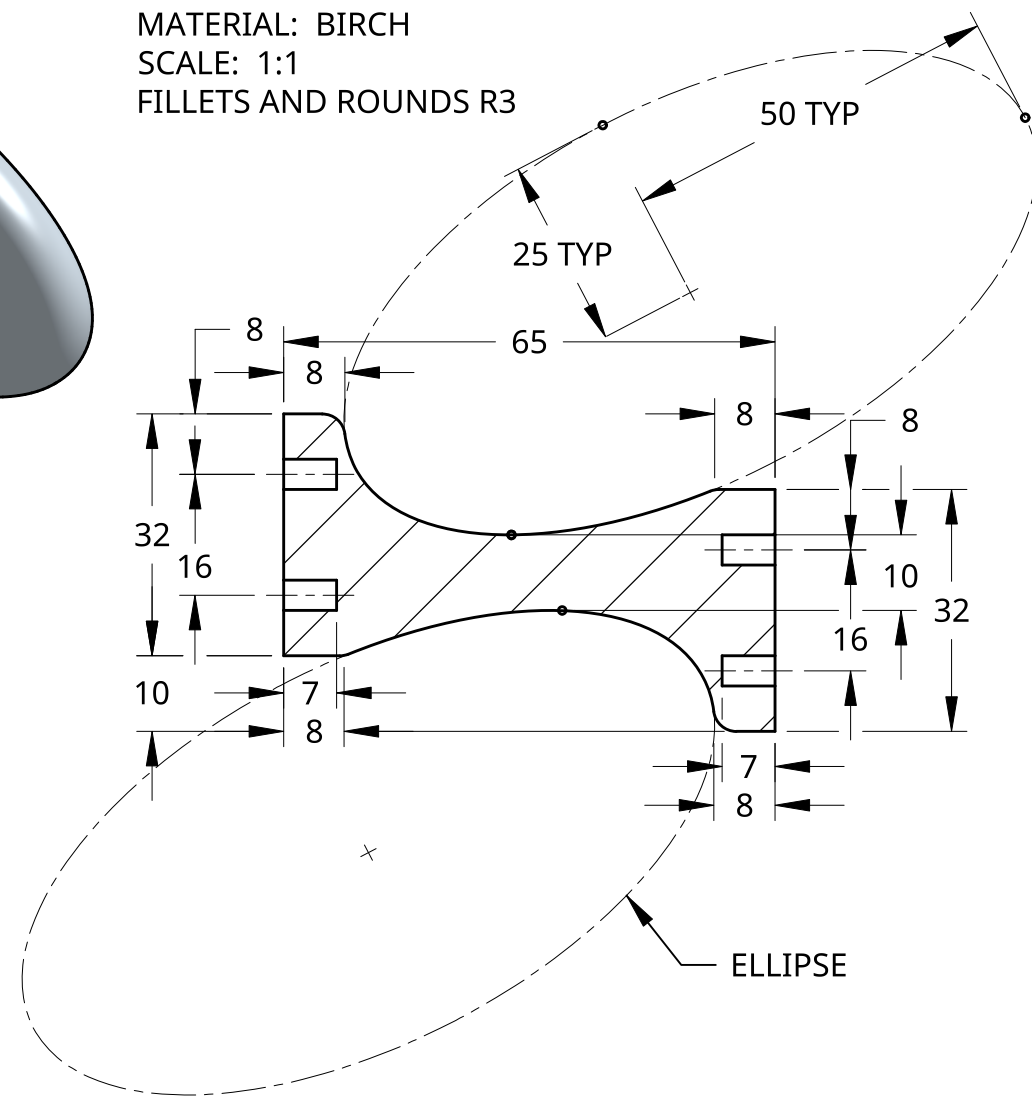
### PART 7: VERTICAL TAIL

MATERIAL: BIRCH  
SCALE: 1:1  
FILLETS AND ROUNDS R4

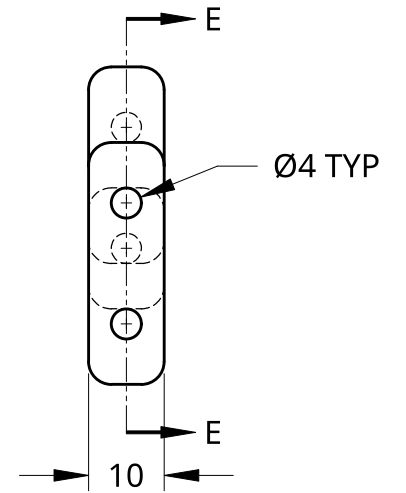
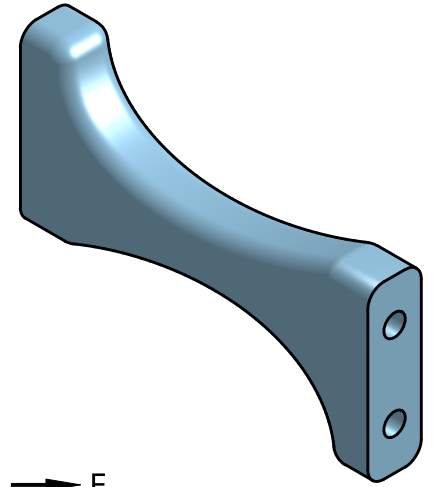


### PART 8: VERTICAL CROSSBAR

MATERIAL: BIRCH  
SCALE: 1:1  
FILLETS AND ROUNDS R3

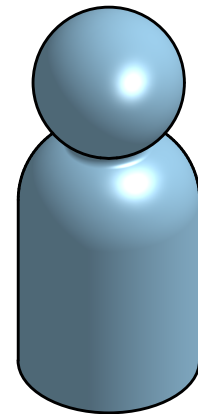
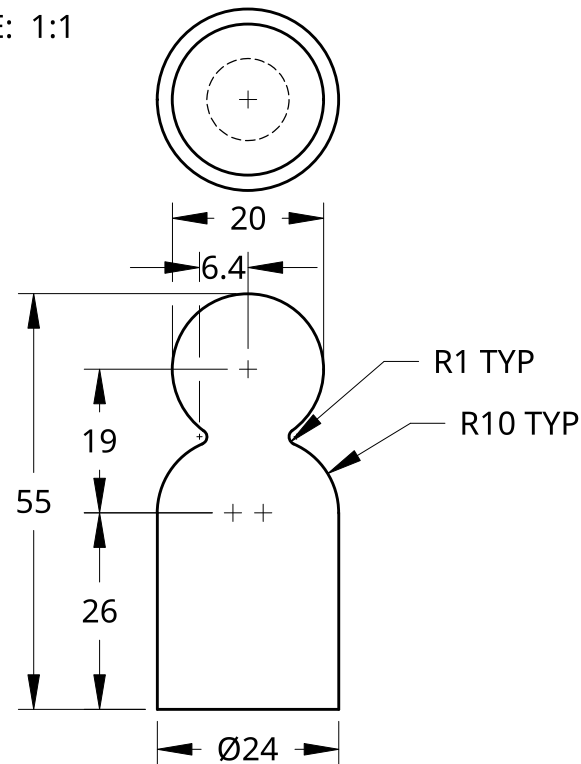


SECTION E - E



### PART 9: PILOT

MATERIAL: BIRCH  
SCALE: 1:1



UNLESS OTHERWISE SPECIFIED, DIMENSIONS ARE IN INCHES  
 .XX = ±.0-  
 .XXX = ±.00-  
 .XXXX = ±.000-  
 SURFACE FINISH

ANGULAR = ± °  
 FRACTIONAL = ±

DO NOT SCALE DRAWING  
 BREAK ALL SHARP EDGES AND REMOVE BURRS  
 THIRD ANGLE PROJECTION

	NAME	DATE
DRAWN	BRODY DAI	12/01/2025
CHECKED		
APPROVED		
MATERIAL	FINISH	

TITLE			
VINTAGE TOY PLANE			
SIZE	DWG NO.	REV.	
B			
SCALE	1:1	WEIGHT	SHEET 4 of 7

4

3

2

1

D

C

B

A

D

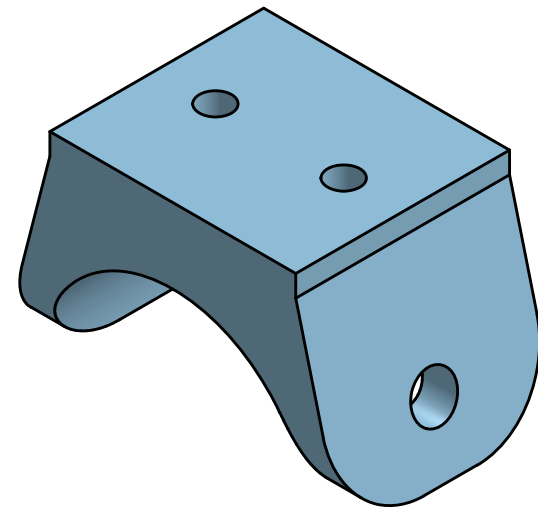
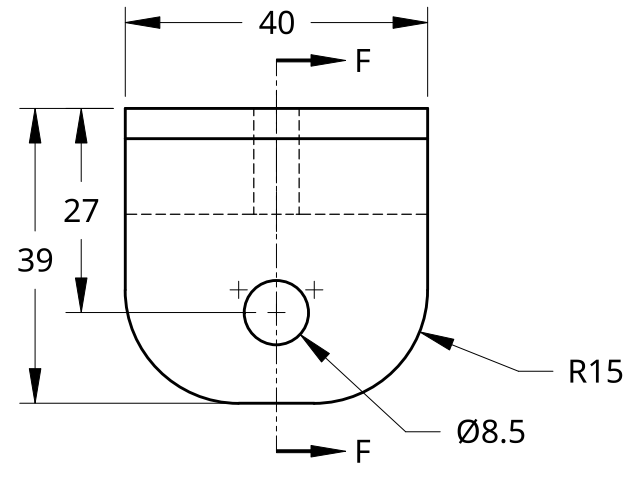
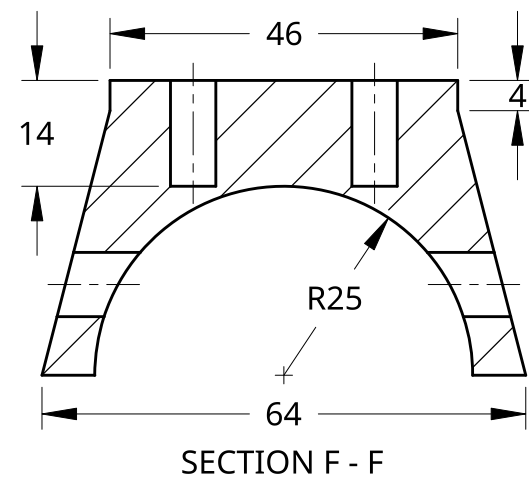
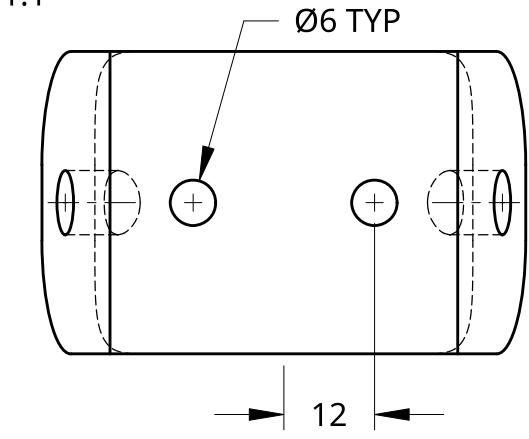
C

B

A

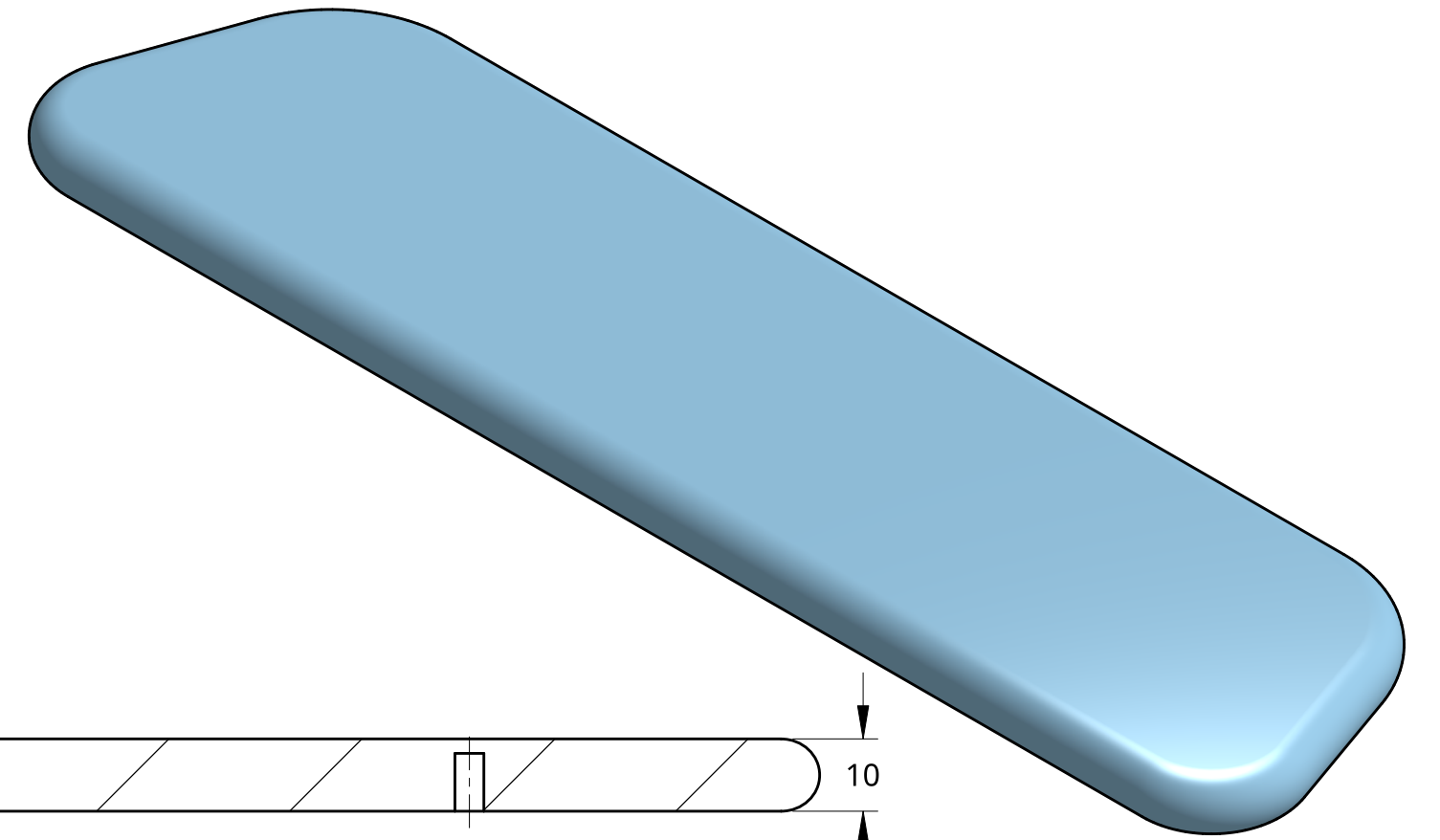
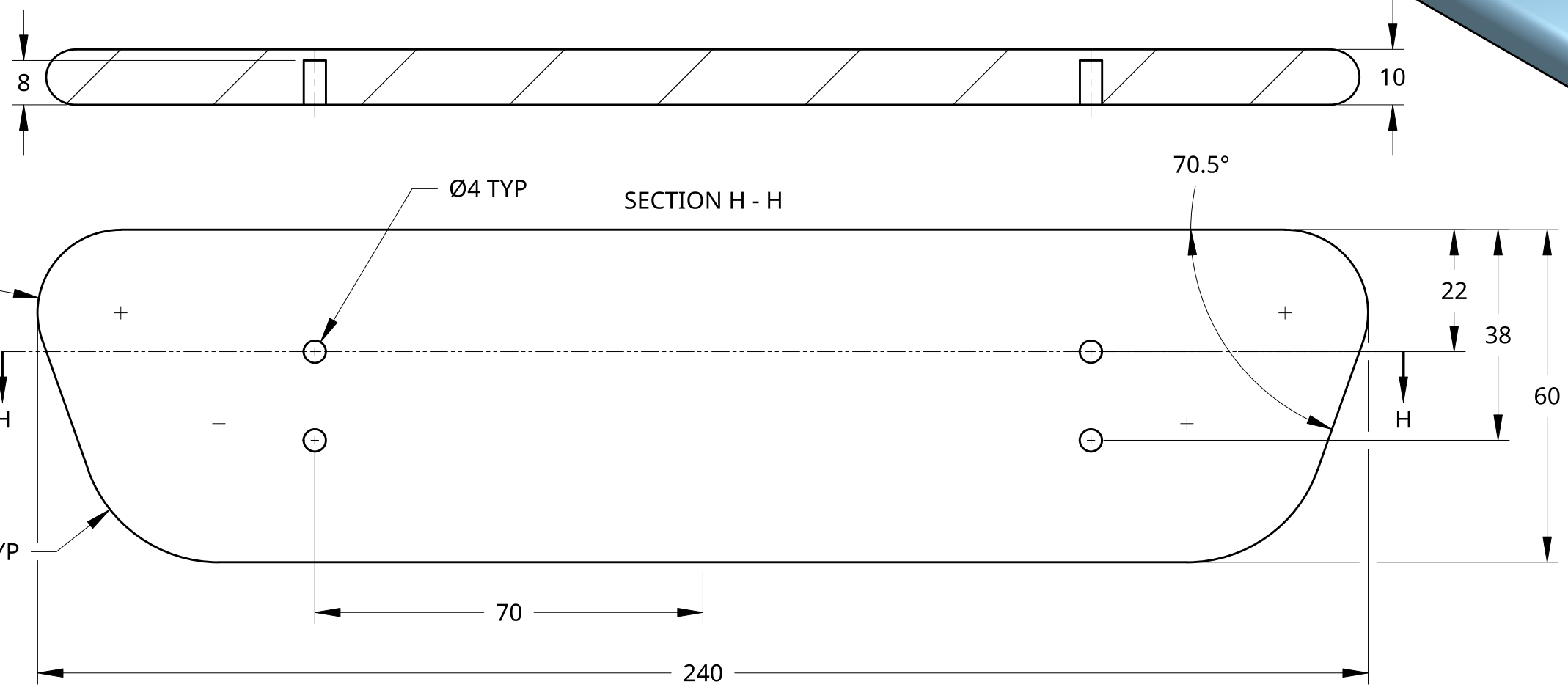
### PART 10: LANDING GEAR

MATERIAL: BIRCH  
SCALE: 1:1



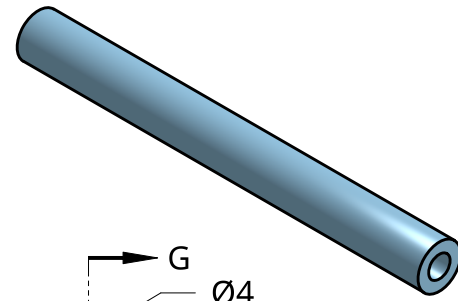
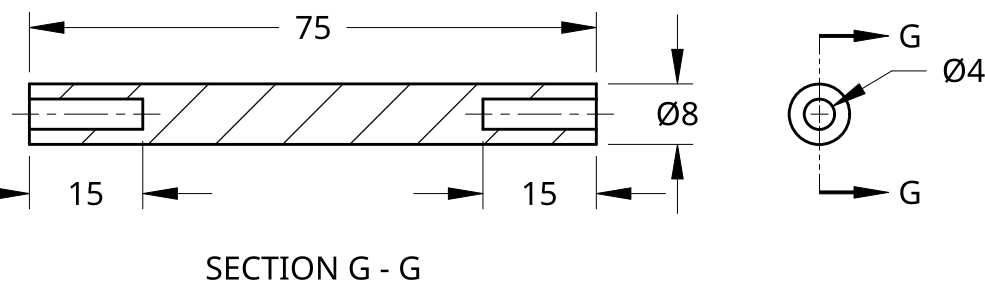
### PART 11: UPPER WING

MATERIAL: BIRCH  
SCALE: 1:1  
FILLETS AND ROUNDS R5



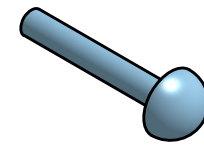
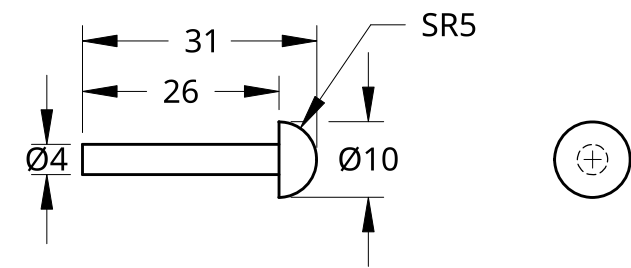
### PART 12: MAIN AXLE

MATERIAL: BIRCH  
SCALE: 1:1



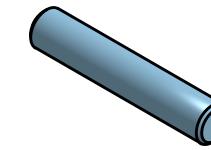
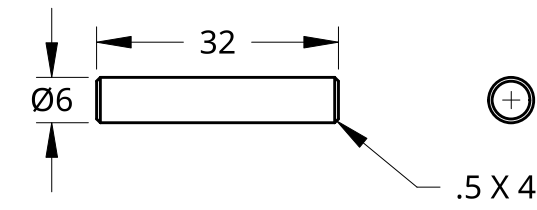
### PART 14: WHEEL AXLE

MATERIAL: BIRCH  
SCALE: 1:1



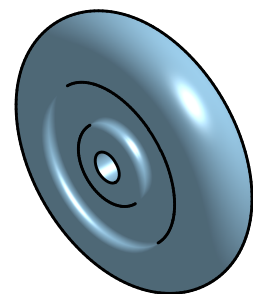
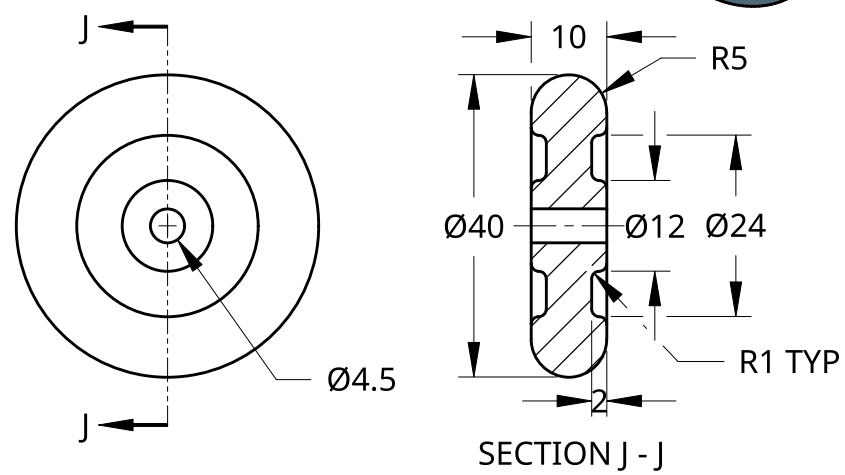
### PART 15: STUD D6 X 32MM

MATERIAL: BIRCH  
SCALE: 1:1



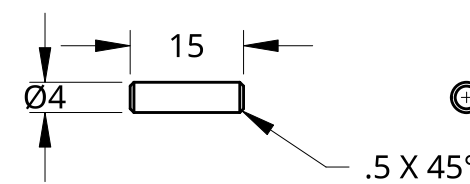
### PART 13: WHEEL

MATERIAL: BIRCH  
SCALE: 1:1



### PART 16: STUD D4 X 15MM

MATERIAL: BIRCH  
SCALE: 1:1



UNLESS OTHERWISE SPECIFIED, DIMENSIONS ARE IN INCHES		NAME	DATE		
.XX = ±.0-	ANGULAR = ±	BRODY DAI	12/01/2025		
.XXX = ±.00-	FRACTIONAL = ±	CHECKED		TITLE	
.XXXX = ±.000-		APPROVED		VINTAGE TOY PLANE	
DO NOT SCALE DRAWING				SIZE	DWG NO.
BREAK ALL SHARP EDGES AND REMOVE BURRS				C	
THIRD ANGLE PROJECTION		MATERIAL	FINISH	SCALE	WEIGHT
				1:1	
				SHEET	5 of 7

4

3

2

1

D

D

C

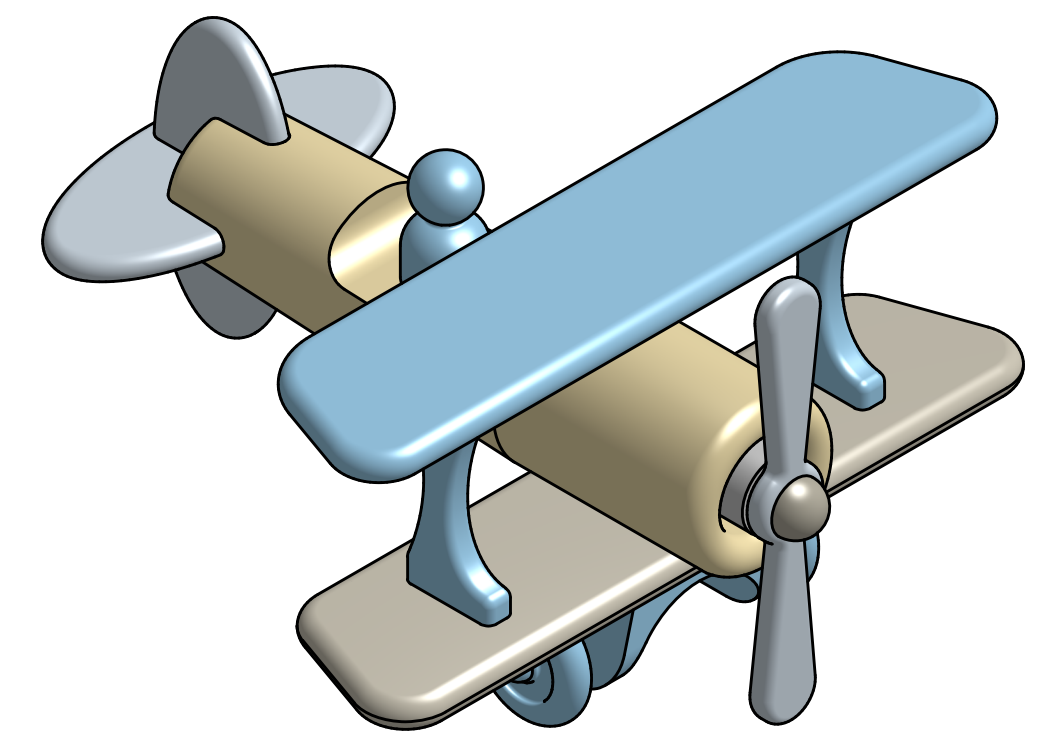
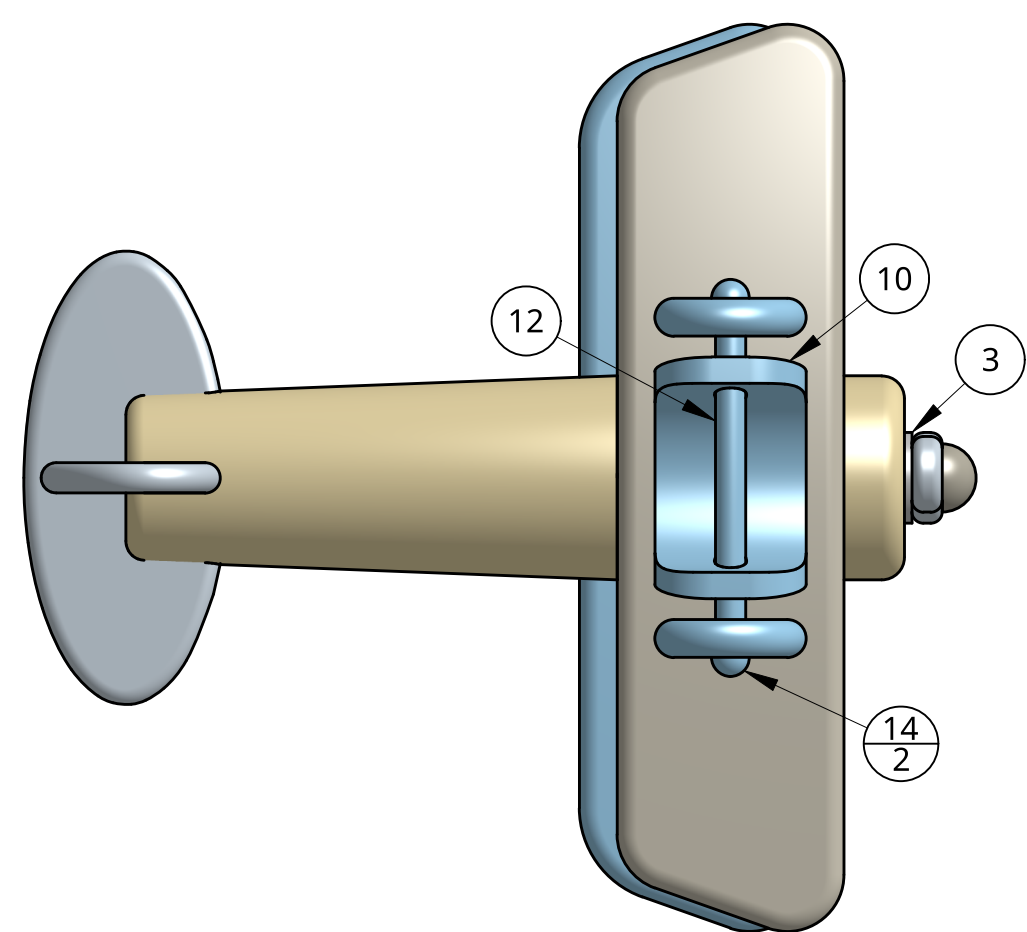
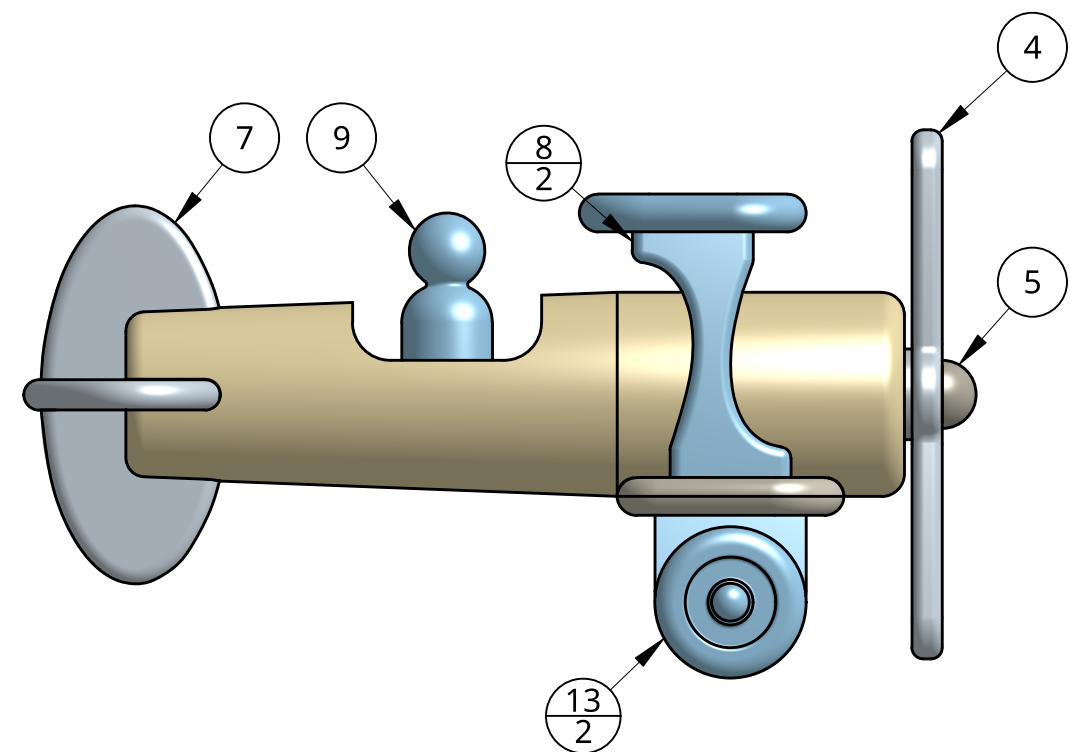
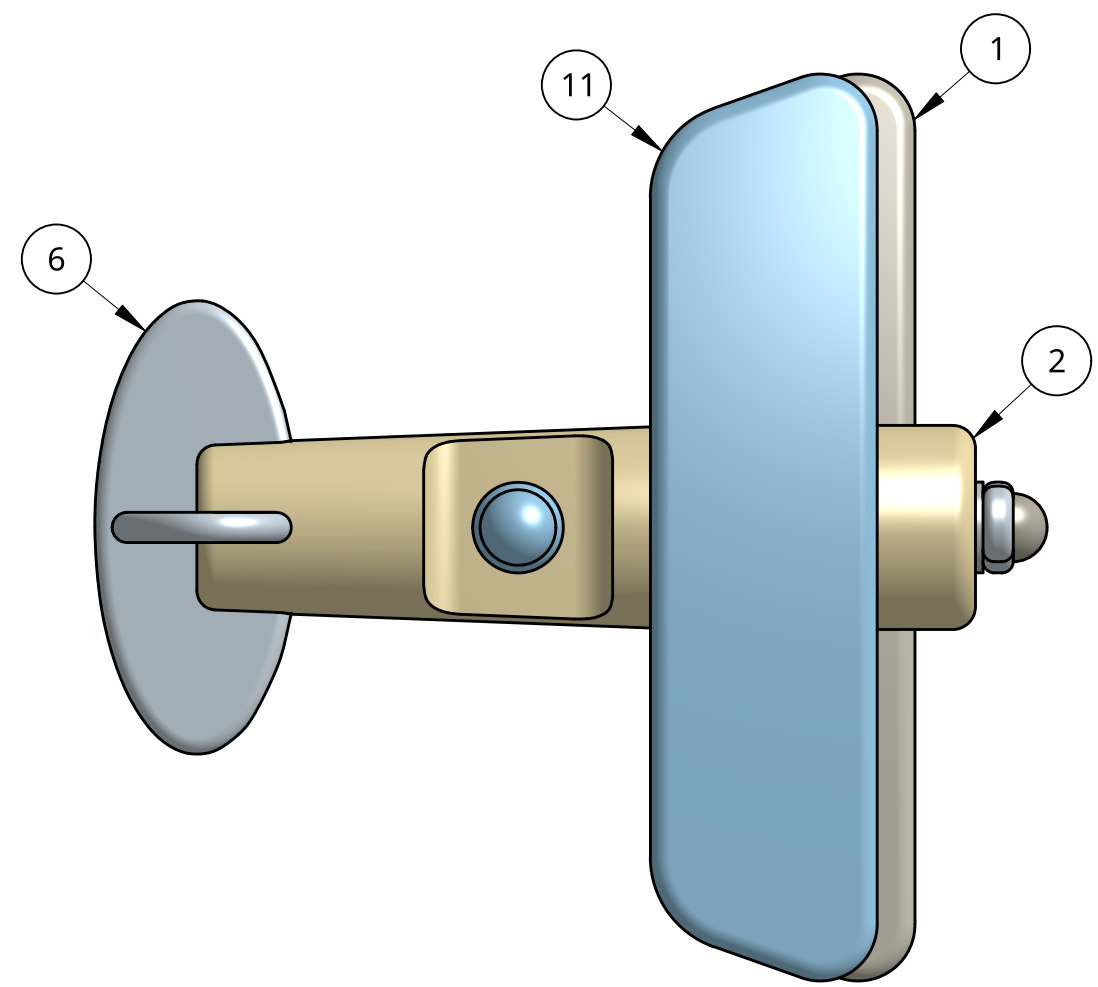
C

B

B

A

A



Item	Quantity	Name	Material
1	1	Lower Wing	Birch
2	1	Fuselage	Birch
3	1	Motor	Birch
4	1	Propeller	Birch
5	1	Holder	Birch
6	1	Horizontal Tail	Birch
7	1	Vertical Tail	Birch
8	2	Vertical Crossbar	Birch
9	1	Pilot	Birch
10	1	Landing Gear	Birch
11	1	Upper Wing	Birch
12	1	Main Axle	Birch
13	2	Wheel	Birch
14	2	Wheel Axle	Birch
15	2	Stud D6 x 32mm	Birch
16	8	Stud D4 x 15mm	Birch

UNLESS OTHERWISE SPECIFIED, DIMENSIONS ARE IN INCHES

.XX = ±.0-  
.XXX = ±.00-  
.XXXX = ±.000-

ANGULAR = ±°  
FRACTIONAL = ±

SURFACE FINISH ✓

DO NOT SCALE DRAWING

BREAK ALL SHARP EDGES AND REMOVE BURRS

THIRD ANGLE PROJECTION

NAME: BRODY DAI  
DATE: 12/01/2025

TITLE: VINTAGE TOY PLANE

SIZE: C  
SCALE: 1:2

DWG NO.:  
WEIGHT:

REV.:  
SHEET: 6 of 7

4

3

2

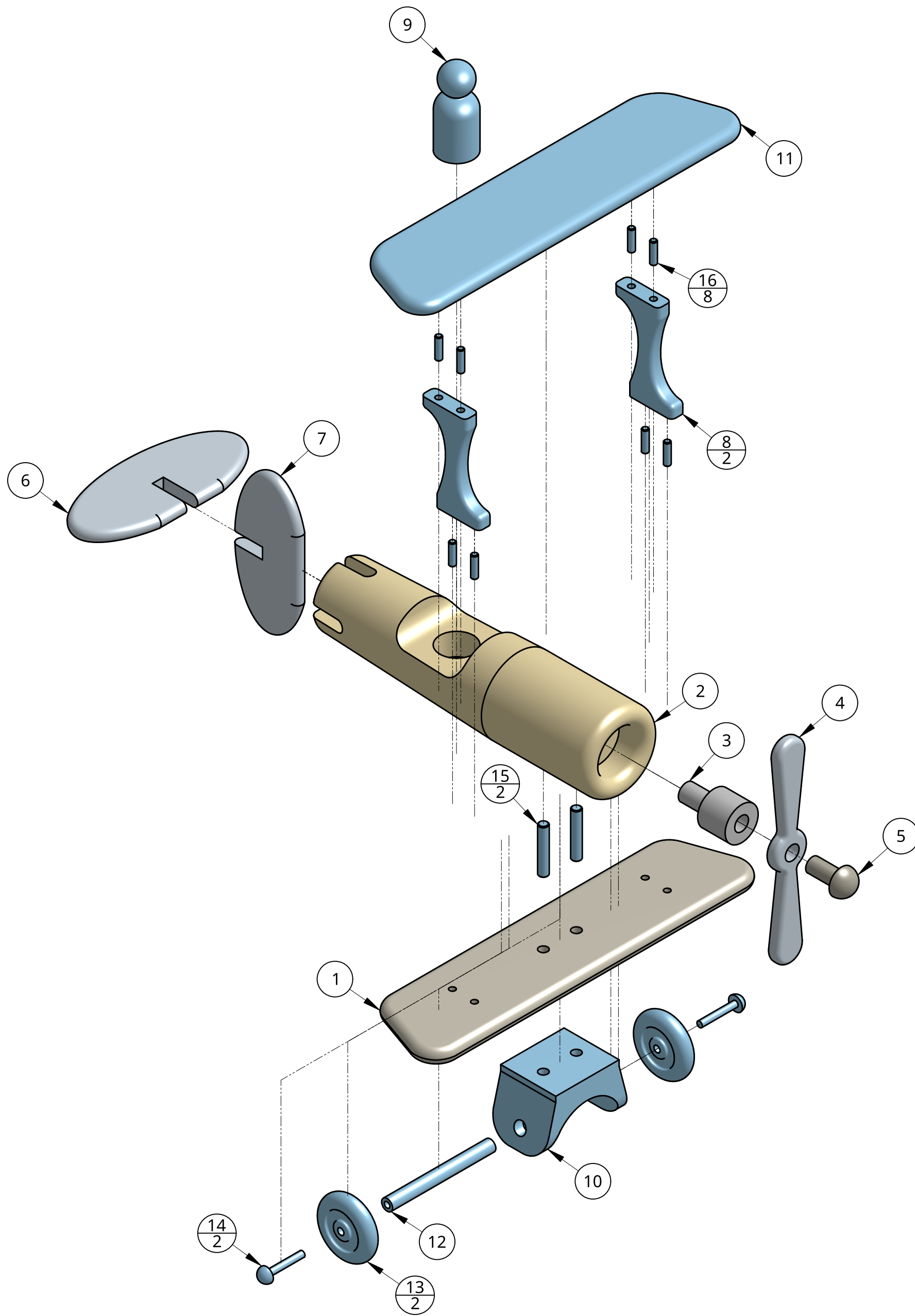
1

4

3

2

1



Item	Quantity	Name	Material
1	1	Lower Wing	Birch
2	1	Fuselage	Birch
3	1	Motor	Birch
4	1	Propeller	Birch
5	1	Holder	Birch
6	1	Horizontal Tail	Birch
7	1	Vertical Tail	Birch
8	2	Vertical Crossbar	Birch
9	1	Pilot	Birch
10	1	Landing Gear	Birch
11	1	Upper Wing	Birch
12	1	Main Axle	Birch
13	2	Wheel	Birch
14	2	Wheel Axle	Birch
15	2	Stud D6 x 32mm	Birch
16	8	Stud D4 x 15mm	Birch

UNLESS OTHERWISE SPECIFIED, DIMENSIONS ARE IN INCHES  
 .XX = ±.0-      ANGULAR = ±°  
 .XXX = ±.00-    FRACTIONAL = ±  
 .XXXX = ±.000-  
 SURFACE FINISH ✓

DO NOT SCALE DRAWING  
 BREAK ALL SHARP EDGES AND REMOVE BURRS  
 THIRD ANGLE PROJECTION

DRAWN	NAME	DATE	
CHECKED	BRODY DAI	12/01/2025	
APPROVED			
TITLE			
VINTAGE TOY PLANE			
SIZE	DWG NO.	REV.	
C			
SCALE	1:2	WEIGHT	
SHEET	7 of 7		

4

3

2

1

D

C

B

A